



### Product Compliance

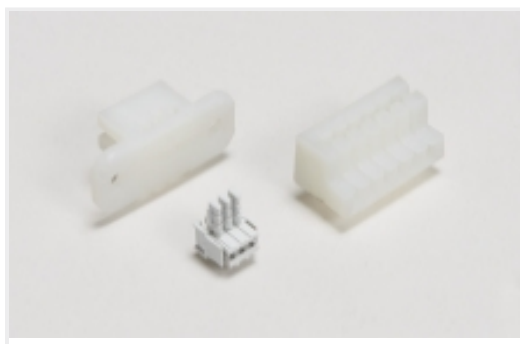
[For compliance documentation, visit the product page on TE.com>](#)

EU RoHS Directive 2011/65/EU	Compliant
EU ELV Directive 2000/53/EC	Compliant
China RoHS 2 Directive MIIT Order No 32, 2016	No Restricted Materials Above Threshold
EU REACH Regulation (EC) No. 1907/2006	Current ECHA Candidate List: JAN 2025 (247) Candidate List Declared Against: JAN 2018 (181) Does not contain REACH SVHC
Halogen Content	Low Halogen - Br, Cl, F, I < 900 ppm per homogenous material. Also BFR/CFR/PVC Free
Solder Process Capability	Not reviewed for solder process capability

#### Product Compliance Disclaimer

This information is provided based on reasonable inquiry of our suppliers and represents our current actual knowledge based on the information they provided. This information is subject to change. The part numbers that TE has identified as EU RoHS compliant have a maximum concentration of 0.1% by weight in homogenous materials for lead, hexavalent chromium, mercury, PBB, PBDE, DBP, BBP, DEHP, DIBP, and 0.01% for cadmium, or qualify for an exemption to these limits as defined in the Annexes of Directive 2011/65/EU (RoHS2). Finished electrical and electronic equipment products will be CE marked as required by Directive 2011/65/EU. Components may not be CE marked. Additionally, the part numbers that TE has identified as EU ELV compliant have a maximum concentration of 0.1% by weight in homogenous materials for lead, hexavalent chromium, and mercury, and 0.01% for cadmium, or qualify for an exemption to these limits as defined in the Annexes of Directive 2000/53/EC (ELV). Regarding the REACH Regulation, the information TE provides on SVHC in articles for this part number is based on the latest European Chemicals Agency (ECHA) 'Guidance on requirements for substances in articles' posted at this URL: <https://echa.europa.eu/guidance-documents/guidance-on-reach>

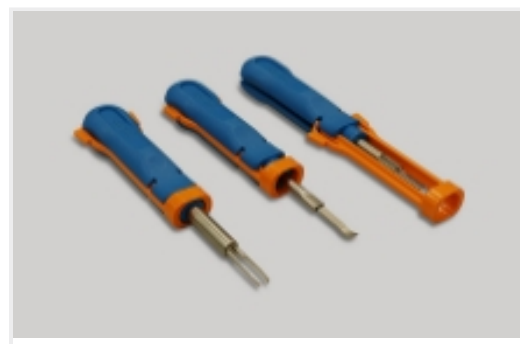
### Also in the Series | [RAST 5D](#)



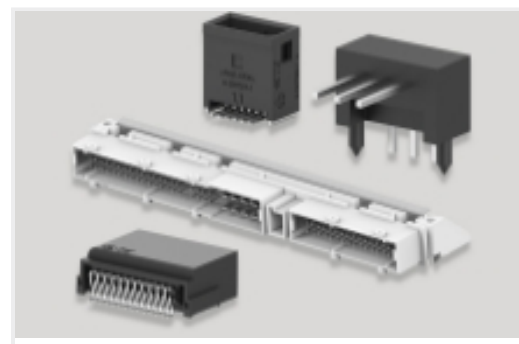
Card Edge Connector Housings(21)



Connector Contacts(10)



Insertion & Extraction Tools(1)



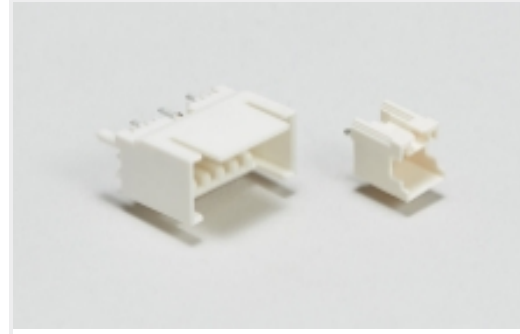
PCB Headers & Receptacles(70)



Power Contacts(1)

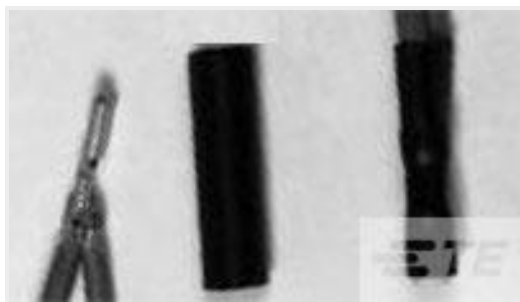


Rectangular Power Connectors(119)



Wire-to-Board Headers & Receptacles (70)

## Customers Also Bought



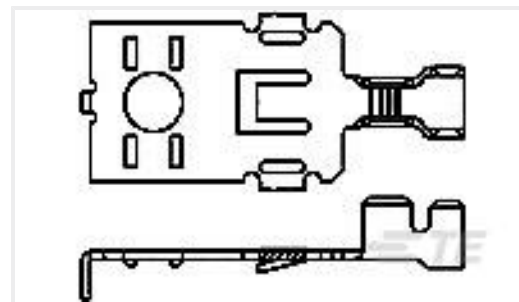
TE Part #440452-000  
RT-3-NO.1-0-2.25IN



TE Part #530219P009  
RNF-150-1/4-0-1.25IN



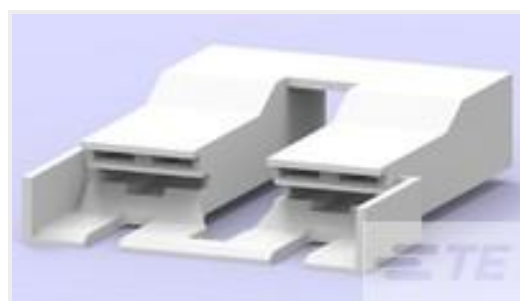
TE Part #938365P002  
VERSAFIT-1/8-0-0.75IN-ST



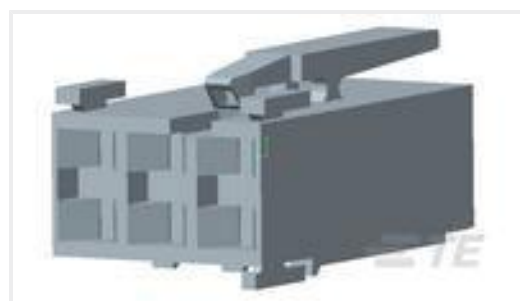
TE Part #63496-1  
POWER RING TERMINAL TAB 16-10  
AWG BR



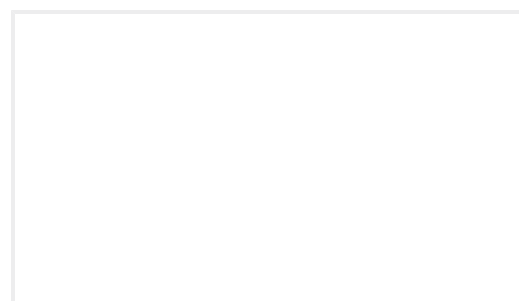
TE Part #2-171706-1  
FASTON 250 INS POD NYLON NAT



TE Part #1-521253-3  
PL MKIII & FASTON 250 HSG 2P  
NYLON GREEN



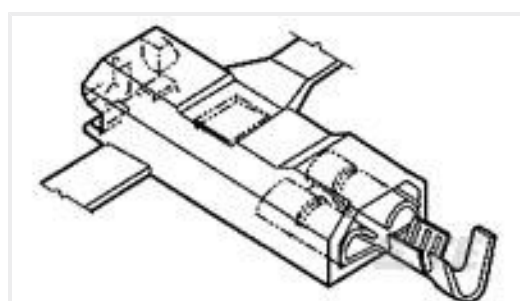
TE Part #2-1241817-3  
STD TIM HOUSING MKII 3POS



TE Part #1385719-1  
UP.250 STRAIGHT SA110F220F LM



TE Part #1852646-1  
EFHBPO200TABLOCK.2100 LM/G



TE Part #521081-1  
ULTRA-POD 250 ASSY REC 18-14  
AWG BR

## Documents



### CAD Files

#### 3D PDF

3D

#### Customer View Model

[ENG\\_CVM\\_CVM\\_1969536-4\\_F.2d\\_dxf.zip](#)

English

#### Customer View Model

[ENG\\_CVM\\_CVM\\_1969536-4\\_F.3d\\_igs.zip](#)

English

#### Customer View Model

[ENG\\_CVM\\_CVM\\_1969536-4\\_F.3d\\_stp.zip](#)

English

By downloading the CAD file I accept and agree to the [Terms and Conditions](#) of use.

### Datasheets & Catalog Pages

[RAST Connector System Catalog](#)

English

### Agency Approvals

[UL Report](#)

English