



Product Compliance

[For compliance documentation, visit the product page on TE.com>](#)

EU RoHS Directive 2011/65/EU	Compliant
EU ELV Directive 2000/53/EC	Compliant
China RoHS 2 Directive MIIT Order No 32, 2016	有害物质含量符合标准要求 No Restricted Substance(s) Above Threshold
EU REACH Regulation (EC) No. 1907/2006	Current ECHA Candidate List: JUNE 2025 (250) Candidate List Declared Against: JUN 2020 (209) Does not contain REACH SVHC
Halogen Content	Low Halogen - Br, Cl, F < 900 ppm per homogenous material. Also BFR/CFR/PVC Free
Solder Process Capability	Not applicable for solder process capability

Product Compliance Disclaimer

This information is provided based on reasonable inquiry of our suppliers and represents our current actual knowledge based on the information they provided. This information is subject to change. The part numbers that TE has identified as EU RoHS compliant have a maximum concentration of 0.1% by weight in homogenous materials for lead, hexavalent chromium, mercury, PBB, PBDE, DBP, BBP, DEHP, DIBP, and 0.01% for cadmium, or qualify for an exemption to these limits as defined in the Annexes of Directive 2011/65/EU (RoHS2). Finished electrical and electronic equipment products will be CE marked as required by Directive 2011/65/EU. Components may not be CE marked. Additionally, the part numbers that TE has identified as EU ELV compliant have a maximum concentration of 0.1% by weight in homogenous materials for lead, hexavalent chromium, and mercury, and 0.01% for cadmium, or qualify for an exemption to these limits as defined in the Annexes of Directive 2000/53/EC (ELV). Regarding the REACH Regulation, the information TE provides on SVHC in articles for this part number is based on the latest European Chemicals Agency (ECHA) 'Guidance on requirements for substances in articles' posted at this URL: <https://echa.europa.eu/guidance-documents/guidance-on-reach>

Compatible Parts



Customers Also Bought



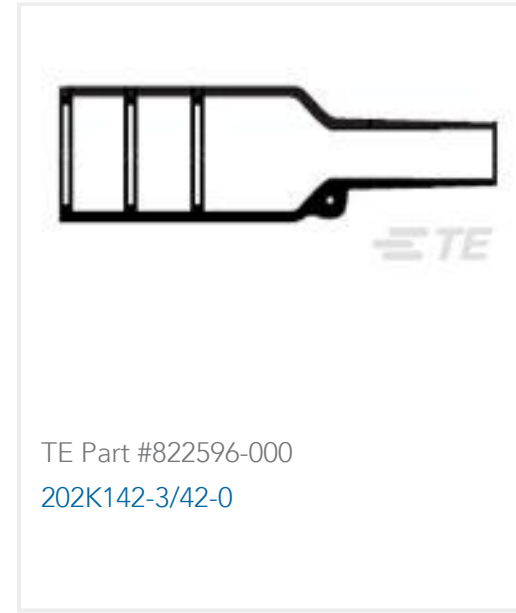
TE Part #EJ3294-000
EN3660-062F09A



TE Part #NB14354001
VERSAFIT-3/4-0-FSP



TE Part #YD369-HR99-NP00000
369 HARSH 9 WAY REC, PIN -
BACC65CR3PN



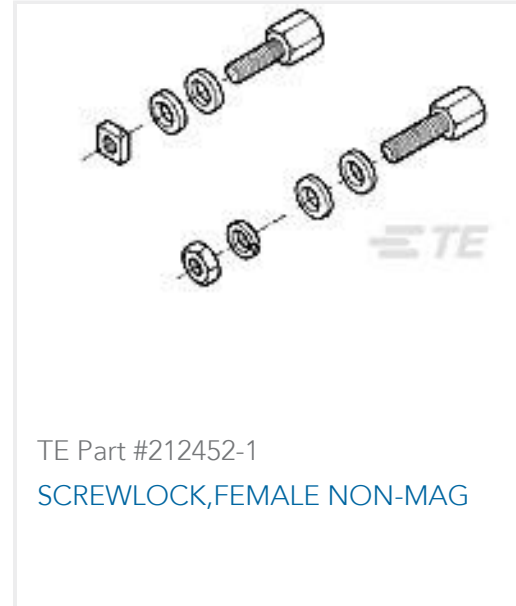
TE Part #822596-000
202K142-3/42-0



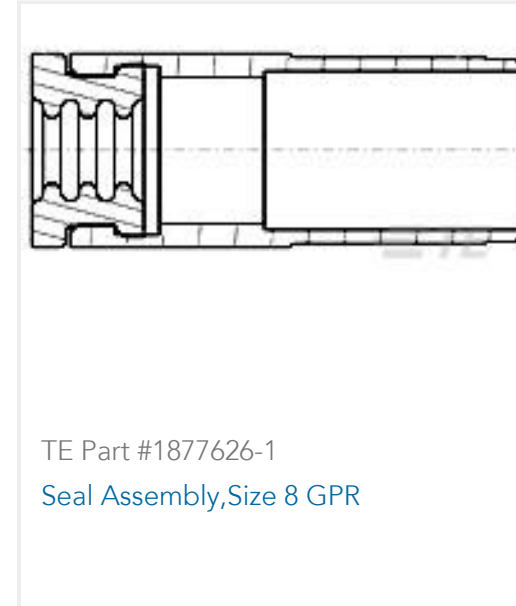
TE Part #827791-000
SO63-4-9036-22



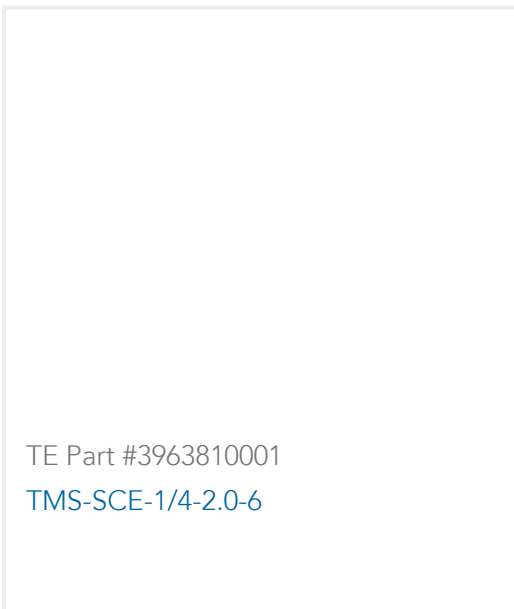
TE Part #EK7301-000
22S121-25C-0



TE Part #212452-1
SCREWLOCK,FEMALE NON-MAG



TE Part #1877626-1
Seal Assembly,Size 8 GPR



TE Part #3963810001
TMS-SCE-1/4-2.0-6



TE Part #2-322800-1
STRATO R 22-16COMM22-18MIL 1/4

Documents

Product Drawings

SOLIS R HR 26-22, 6 STUD

English

Datasheets & Catalog Pages

SOLISTRAND - QRG

English

Product Specifications

Product Specification

English