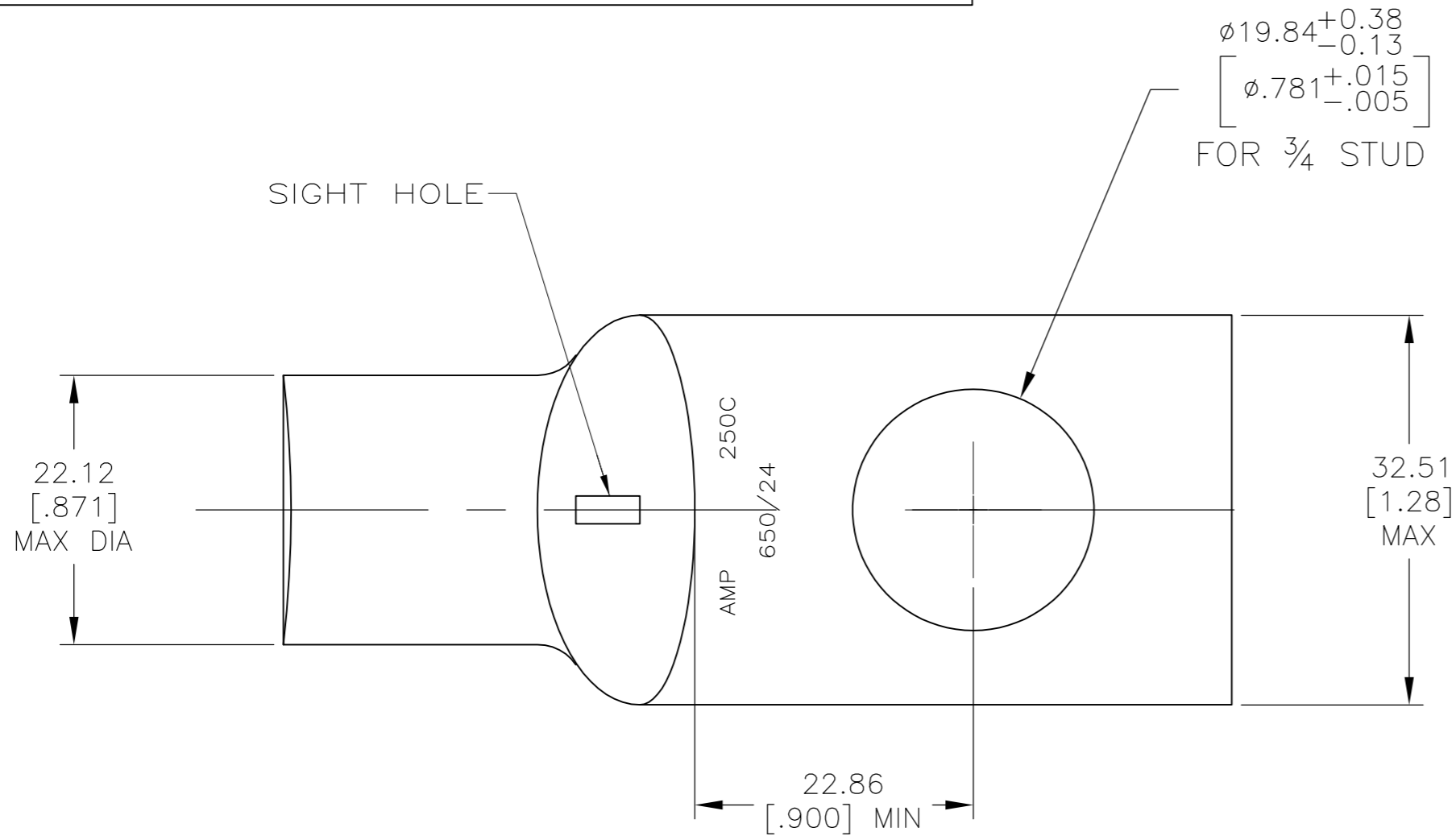
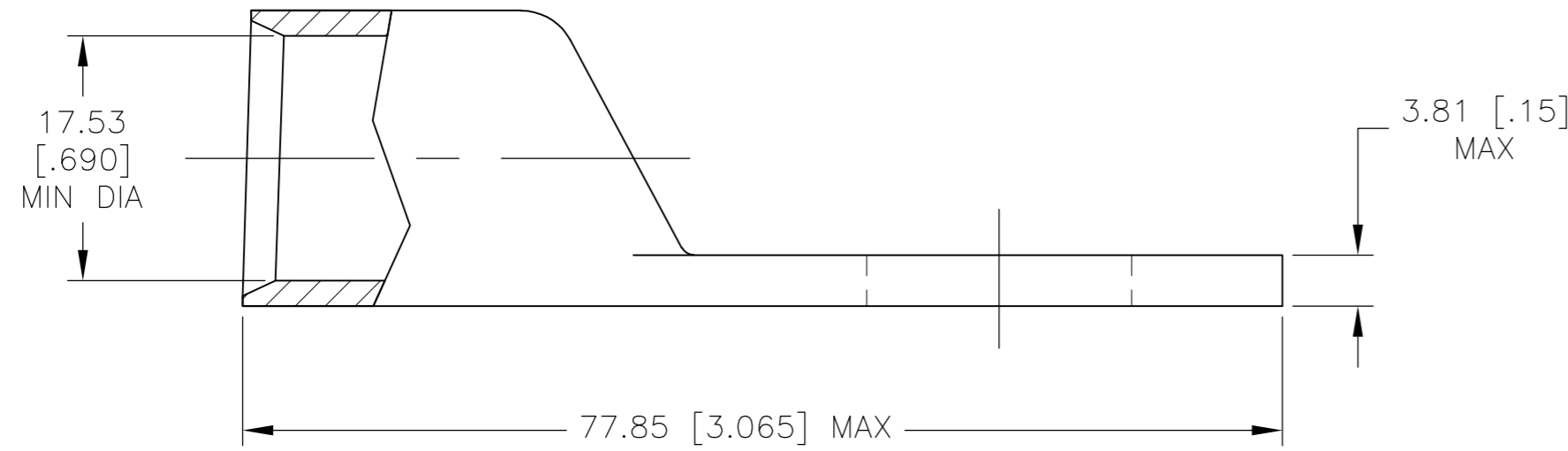


THIS DRAWING IS UNPUBLISHED. RELEASED FOR PUBLICATION  
 © COPYRIGHT - By - ALL RIGHTS RESERVED.

LOC	DIST	REVISIONS					
		P	LTR	DESCRIPTION	DATE	DWN	APVD
G	86	A		ECR-12-010644	12JUN2012	PK	HK



- 1 CIRCULAR MIL RANGE: 231-275 MCM
- 2 TIN PL 0.00381[.000150] MIN THK PER MIL-T-10727
- 3 COPPER PER ASTM B-75, ANNEALED



1958365-1  
 PART NO.

THIS DRAWING IS A CONTROLLED DOCUMENT.		DWN JR RUTH 28JUL10	<b>TE</b> TE Connectivity	
DIMENSIONS: MM [INCHES]		CHK RAY LANDON 28JUL10		
TOLERANCES UNLESS OTHERWISE SPECIFIED:		APVD RAY LANDON 28JUL10	NAME RAY LANDON	
0 PLC ± -		PRODUCT SPEC 108-30200	TERMINAL, AMPPOWER, WIRE SIZE: 250 MCM	
1 PLC ± -		APPLICATION SPEC	SIZE	CAGE CODE
2 PLC ± 0.51[.020]			A2	00779
3 PLC ± -			DRAWING NO	RESTRICTED TO
4 PLC ± -			C=1958365	-
ANGLES ± -		WEIGHT .148 LBS	SCALE 2:1	SHEET 1 of 1
FINISH		CUSTOMER DRAWING	REV A	