

1924141-7 ✓ ACTIVE

Generation Y Connector System

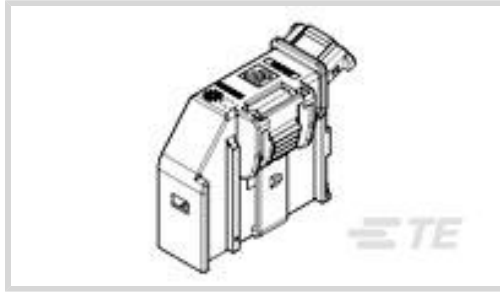
TE Internal #: 1924141-7

26 Position, Black, Shield, Nylon 6/6, 20° Cable Exit, Generation Y Connector System

[View on TE.com >](#)



Automotive Parts > Automotive Connector Accessories > Automotive Connector Caps & Covers



Number of Positions: **26**

Primary Product Color: **Black**

Protection & Strain Relief Accessory Type: **Shield**

Primary Product Material: **Nylon 6/6**

Cable Exit Angle: **20°**

Features

Product Type Features

Protection & Strain Relief Accessory Type	Shield
---	--------

Configuration Features

Compatible With Connector Code	A – E
Number of Positions	26

Body Features

Primary Product Color	Black
Primary Product Material	Nylon 6/6
Cable Exit Angle	20°

Mechanical Attachment

Strain Relief	Without
---------------	---------

Dimensions

Compatible Cable Bundle Diameter Range	7.2 mm[.283 in]
--	-----------------

Packaging Features

Packaging Method	Package
Packaging Quantity	1

Other

Serviceable	Yes
-------------	-----



Product Compliance

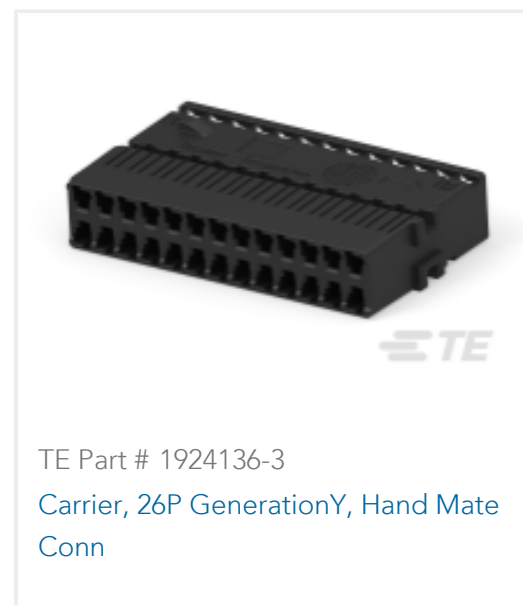
[For compliance documentation, visit the product page on TE.com>](#)

EU RoHS Directive 2011/65/EU	Compliant
EU ELV Directive 2000/53/EC	Compliant
China RoHS 2 Directive MIIT Order No 32, 2016	No Restricted Materials Above Threshold
EU REACH Regulation (EC) No. 1907/2006	Current ECHA Candidate List: JAN 2025 (247) Candidate List Declared Against: JAN 2025 (247) Does not contain REACH SVHC
Halogen Content	Low Halogen - Br, Cl, F, I < 900 ppm per homogenous material. Also BFR/CFR/PVC Free
Solder Process Capability	Not applicable for solder process capability

Product Compliance Disclaimer

This information is provided based on reasonable inquiry of our suppliers and represents our current actual knowledge based on the information they provided. This information is subject to change. The part numbers that TE has identified as EU RoHS compliant have a maximum concentration of 0.1% by weight in homogenous materials for lead, hexavalent chromium, mercury, PBB, PBDE, DBP, BBP, DEHP, DIBP, and 0.01% for cadmium, or qualify for an exemption to these limits as defined in the Annexes of Directive 2011/65/EU (RoHS2). Finished electrical and electronic equipment products will be CE marked as required by Directive 2011/65/EU. Components may not be CE marked. Additionally, the part numbers that TE has identified as EU ELV compliant have a maximum concentration of 0.1% by weight in homogenous materials for lead, hexavalent chromium, and mercury, and 0.01% for cadmium, or qualify for an exemption to these limits as defined in the Annexes of Directive 2000/53/EC (ELV). Regarding the REACH Regulation, the information TE provides on SVHC in articles for this part number is based on the latest European Chemicals Agency (ECHA) 'Guidance on requirements for substances in articles' posted at this URL: <https://echa.europa.eu/guidance-documents/guidance-on-reach>

Compatible Parts



Also in the Series | [Generation Y Connector System](#)



Automotive Housings(138)

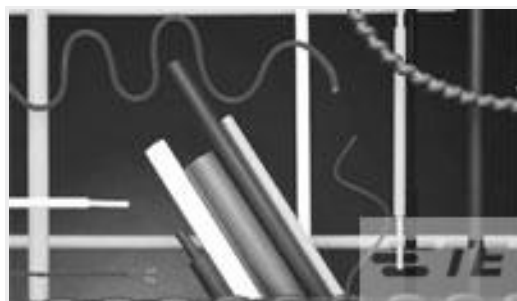


Automotive Seals & Cavity Plugs(6)



Automotive Signal & Power Connector Housings(138)

Customers Also Bought



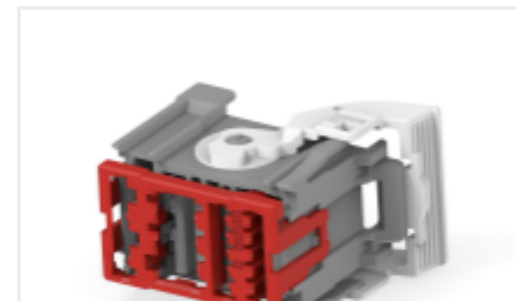
TE Part #5069796052
CGPT-1.2/0.6-0-80MM



TE Part #32859
TERMINAL,BUDG R 26-22 8



TE Part #1924141-1
Shield, 26P GenY, Hand Mate Conn



TE Part #2098627-2
22P UNSEALED HYBRID PLUG ASSEM



TE Part #2098628-1
22P UNSEALED HYBRID WIRE DRESS



TE Part #2098633-1
40P Shield Assy, GY LAC



TE Part #1-2141324-1
6POS, MCON 1.2 LL TAB SEALED
COD A



TE Part #2819105-1
HSG FEMALE ASSY 64 WAYS
COD A



TE Part #1-1420006-1
6 POL INLINE STIFT



TE Part #185283-1
SPT WITH BARRIER

Documents

Product Drawings

[Shield, 26P GenY, Hand Mate Conn](#)

English

CAD Files

[3D PDF](#)

3D

[Customer View Model](#)

[ENG_CVM_CVM_1924141-7_A.2d_dxf.zip](#)



English

Customer View Model

[ENG_CVM_CVM_1924141-7_A.3d_igs.zip](#)

English

Customer View Model

[ENG_CVM_CVM_1924141-7_A.3d_stp.zip](#)

English

Customer View Model

[ENG_CVM_1924141-7_A2.3d_igs.zip](#)

English

Customer View Model

[ENG_CVM_1924141-7_A2.3d_stp.zip](#)

English

Customer View Model

[ENG_CVM_1924141-7_A2.2d_dxf.zip](#)

English

[3D PDF](#)

English

By downloading the CAD file I accept and agree to the [Terms and Conditions](#) of use.

Instruction Sheets

[Instruction Sheet \(U.S.\)](#)

English