

1924136-2 ✓ ACTIVE

Generation Y Connector System

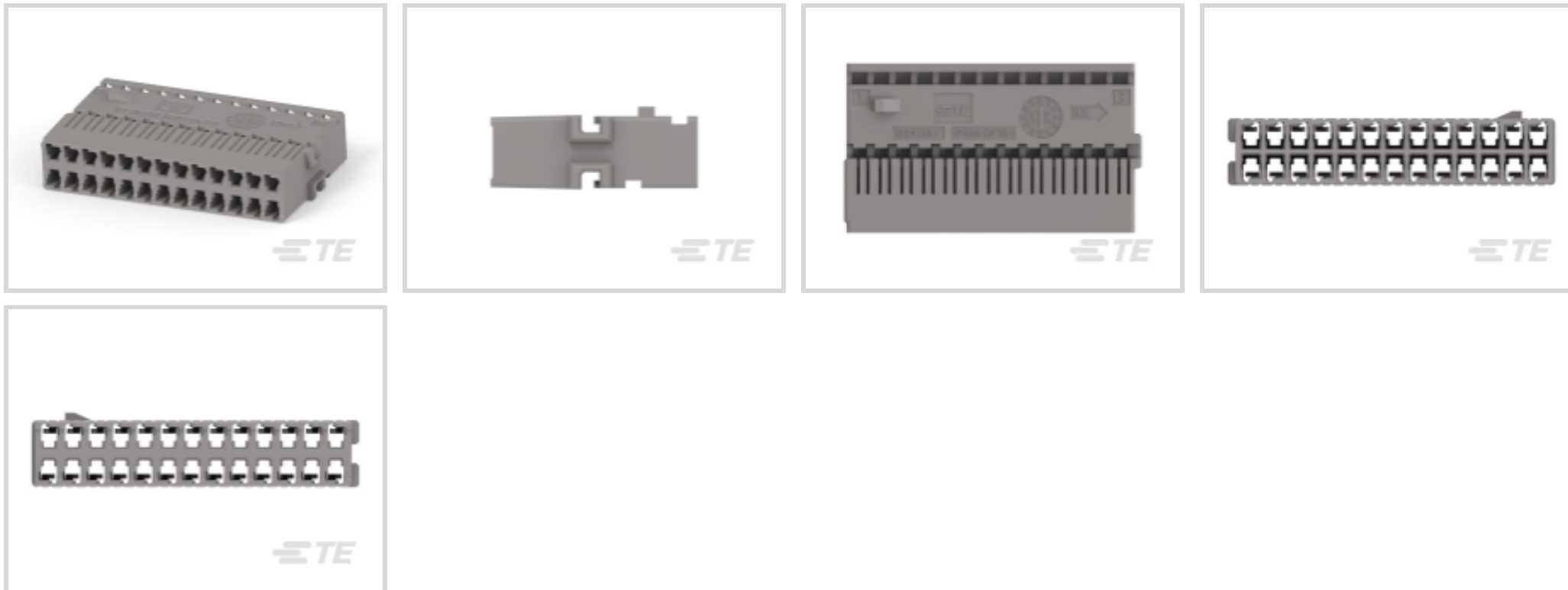
TE Internal #: 1924136-2

26 Position Housing, Housing for Female Terminals, Wire-to-Board,
2.54 mm [.1 in] Centerline, Gray, Wire & Cable, Generation Y
Connector System

[View on TE.com >](#)



Automotive Parts > Automotive Connectors > Automotive Housings



Connector & Housing Type: **Housing for Female Terminals**

Number of Positions: **26**

Sealable: **No**

Operating Temperature Range: **-40 – 100 °C [-40 – 212 °F]**

Number of Rows: **2**

Features

Product Type Features

Mixed & Hybrid Connector	No
Connector Shape	Rectangular
Connector & Housing Type	Housing for Female Terminals
Sealable	No
Primary Locking Feature	Integrated in Housing
Connector System	Wire-to-Board
Connector & Contact Terminates To	Wire & Cable

Configuration Features

Number of Positions	26
Number of Rows	2

Electrical Characteristics

Nominal Voltage Architecture	12 V
------------------------------	------

Body Features

Cable Exit Angle	180°
------------------	------



Primary Product Color	Gray
-----------------------	------

Contact Features

Contact Size	.64mm
--------------	-------

Contact Type	Receptacle
--------------	------------

Mating Tab Width	.64 mm[.02 in]
------------------	----------------

Contact Current Rating (Max)	10.5 A
------------------------------	--------

Mechanical Attachment

Strain Relief	Add By Accessory
---------------	------------------

Terminal Position Assurance	Yes
-----------------------------	-----

Mating Alignment Type	Polarization
-----------------------	--------------

Mating Alignment	With
------------------	------

Connector Mounting Type	Cable Mount (Free-Hanging)
-------------------------	----------------------------

Housing Features

Housing Material	Nylon 6/6 GF35
------------------	----------------

Centerline (Pitch)	2.54 mm[.1 in]
--------------------	----------------

Dimensions

Product Width	34.8 mm[1.37 in]
---------------	------------------

Row-to-Row Spacing	2.54 mm[.1 in]
--------------------	----------------

Product Length	19.8 mm[.78 in]
----------------	-----------------

Connector Height	7.8 mm[.307 in]
------------------	-----------------

Usage Conditions

Operating Temperature Range	-40 – 100 °C[-40 – 212 °F]
-----------------------------	----------------------------

Operating Temperature (Max)	100 °C[212 °F]
-----------------------------	----------------

Operation/Application

Circuit Application	Signal
---------------------	--------

Packaging Features

Packaging Method	Package
------------------	---------

Packaging Quantity	50
--------------------	----

Other

Serviceable	Yes
-------------	-----

Connector Position Assurance Capable	No
--------------------------------------	----



Product Compliance

[For compliance documentation, visit the product page on TE.com>](#)

EU RoHS Directive 2011/65/EU	Compliant
EU ELV Directive 2000/53/EC	Compliant
China RoHS 2 Directive MIIT Order No 32, 2016	No Restricted Materials Above Threshold
EU REACH Regulation (EC) No. 1907/2006	Current ECHA Candidate List: JAN 2025 (247) Candidate List Declared Against: JAN 2025 (247) Does not contain REACH SVHC
Halogen Content	Low Halogen - Br, Cl, F, I < 900 ppm per homogenous material. Also BFR/CFR/PVC Free
Solder Process Capability	Wave solder capable to 265°C

Product Compliance Disclaimer

This information is provided based on reasonable inquiry of our suppliers and represents our current actual knowledge based on the information they provided. This information is subject to change. The part numbers that TE has identified as EU RoHS compliant have a maximum concentration of 0.1% by weight in homogenous materials for lead, hexavalent chromium, mercury, PBB, PBDE, DBP, BBP, DEHP, DIBP, and 0.01% for cadmium, or qualify for an exemption to these limits as defined in the Annexes of Directive 2011/65/EU (RoHS2). Finished electrical and electronic equipment products will be CE marked as required by Directive 2011/65/EU. Components may not be CE marked. Additionally, the part numbers that TE has identified as EU ELV compliant have a maximum concentration of 0.1% by weight in homogenous materials for lead, hexavalent chromium, and mercury, and 0.01% for cadmium, or qualify for an exemption to these limits as defined in the Annexes of Directive 2000/53/EC (ELV). Regarding the REACH Regulation, the information TE provides on SVHC in articles for this part number is based on the latest European Chemicals Agency (ECHA) 'Guidance on requirements for substances in articles' posted at this URL: <https://echa.europa.eu/guidance-documents/guidance-on-reach>

Compatible Parts



TE Part # 1924955-3
CONTACT,FEMALE0.64,20-22AWG, UNSEAL



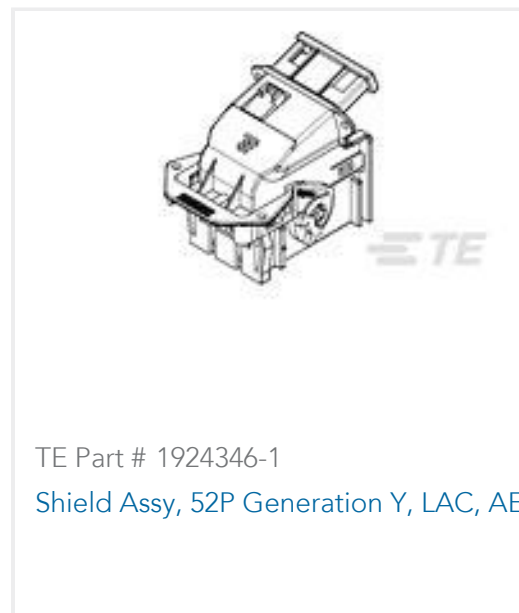
TE Part # 1924955-4
CONTACT,FEMALE0.64,18AWG, UNSEALED



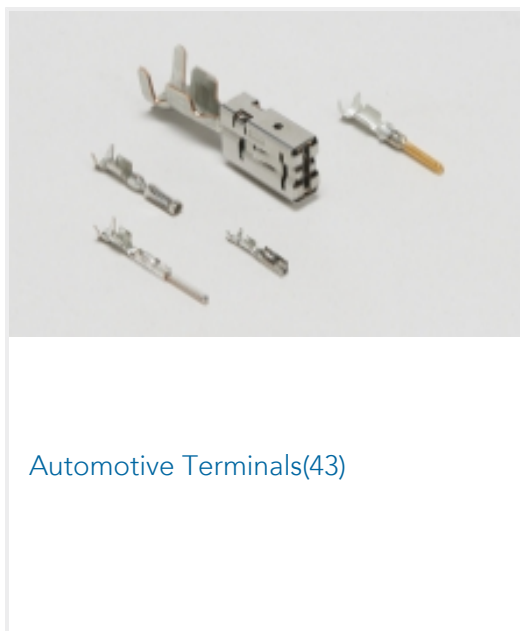
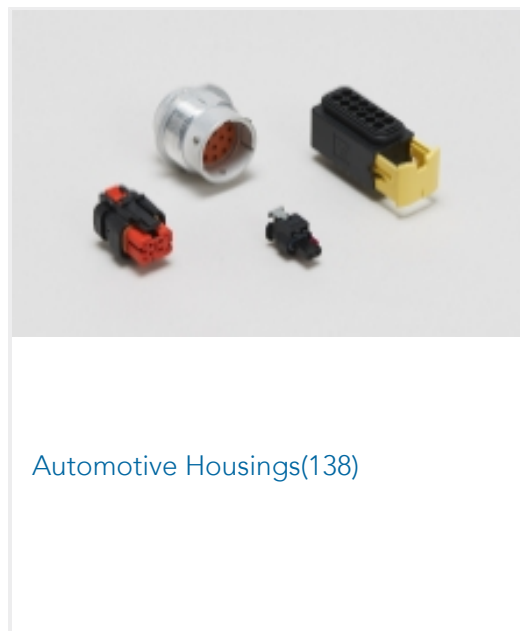
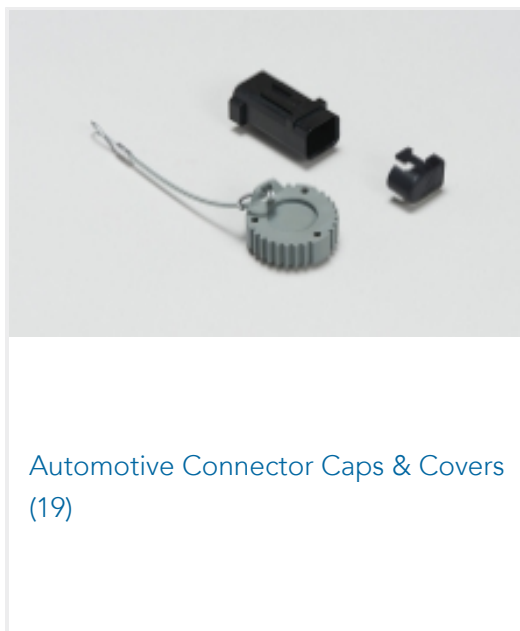
TE Part # 1924346-3
Shield Assy, 52P Generation Y, LAC, BF



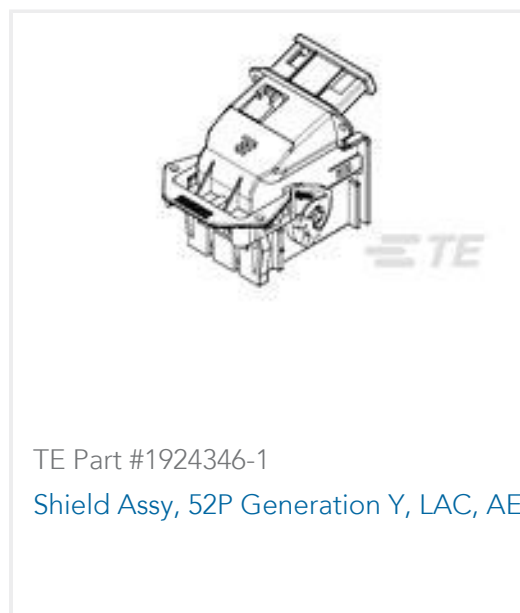
TE Part # 1924955-7
CONTACT,FEMALE0.64,0.13SQMM, UN



Also in the Series | **Generation Y Connector System**



Customers Also Bought





Documents

Product Drawings

[Carrier, 26P Generation Y, 52P Conn](#)

English

CAD Files

Customer View Model

[ENG_CVM_CVM_1924136-2_GN.3d_igs.zip](#)

English

Customer View Model

[ENG_CVM_CVM_1924136-2_GN.3d_stp.zip](#)

English

Customer View Model

[ENG_CVM_CVM_1924136-2_GN.2d_dxf.zip](#)

English

3D PDF

3D

Customer View Model

[ENG_CVM_1924136-2_A1.3d_igs.zip](#)

English

Customer View Model

[ENG_CVM_1924136-2_A1.3d_stp.zip](#)

English

Customer View Model

[ENG_CVM_1924136-2_A1.2d_dxf.zip](#)

English

3D PDF

English

By downloading the CAD file I accept and agree to the [Terms and Conditions](#) of use.

Instruction Sheets

[Instruction Sheet \(U.S.\)](#)

English