

1897462-2 ✓ ACTIVE

TE Internal #: 1897462-2

12 Position Housing, Housing for Female Terminals, Wire-to-Wire, 4.1 mm [.161 in] Centerline, Sealable, Black, Wire & Cable, Power & Signal

[View on TE.com >](#)



Automotive Parts > Automotive Connectors > Automotive Housings



Connector & Housing Type: **Housing for Female Terminals**

Number of Positions: **12**

Sealable: **Yes**

Operating Temperature Range: **-40 – 120 °C [-40 – 248 °F]**

Number of Rows: **2**

Features

Product Type Features

Mixed & Hybrid Connector	No
Connector Shape	Rectangular
Connector & Housing Type	Housing for Female Terminals
Sealable	Yes
Primary Locking Feature	Clean Body
Connector System	Wire-to-Wire
Connector & Contact Terminates To	Wire & Cable

Configuration Features

Number of Positions	12
Number of Rows	2

Electrical Characteristics

Nominal Voltage Architecture	12 V
------------------------------	------

Body Features

Primary Product Color	Black
-----------------------	-------



Contact Features

Contact Size	1.2mm
--------------	-------

Mechanical Attachment

Mating Alignment Type	Polarization
Mating Alignment	With
Connector Mounting Type	Cable Mount (Free-Hanging)

Housing Features

Housing Material	PBT GF
Centerline (Pitch)	4.1 mm [.161 in]

Dimensions

Product Width	24.8 mm [.976 in]
Product Length	35.8 mm [1.4 in]
Connector Height	24.7 mm [.972 in]

Usage Conditions

Operating Temperature Range	-40 – 120 °C [-40 – 248 °F]
Operating Temperature (Max)	70 °C, 75 °C, 80 °C, 85 °C, 90 °C, 100 °C, 105 °C, 110 °C, 120 °C [158 °F][167 °F][176 °F][185 °F][194 °F][212 °F][221 °F][230 °F][248 °F]

Operation/Application

Circuit Application	Power & Signal
---------------------	----------------

Other

Connector Position Assurance Capable	Yes
--------------------------------------	-----

Product Compliance

[For compliance documentation, visit the product page on TE.com>](#)



EU RoHS Directive 2011/65/EU	Compliant
EU ELV Directive 2000/53/EC	Compliant
China RoHS 2 Directive MIIT Order No 32, 2016	No Restricted Materials Above Threshold
EU REACH Regulation (EC) No. 1907/2006	Current ECHA Candidate List: JAN 2025 (247) Candidate List Declared Against: JAN 2025 (247) Does not contain REACH SVHC

Halogen Content	Low Halogen - Br, Cl, F, I < 900 ppm per homogenous material. Also BFR/CFR/PVC Free
Solder Process Capability	Not applicable for solder process capability

Product Compliance Disclaimer

This information is provided based on reasonable inquiry of our suppliers and represents our current actual knowledge based on the information they provided. This information is subject to change. The part numbers that TE has identified as EU RoHS compliant have a maximum concentration of 0.1% by weight in homogenous materials for lead, hexavalent chromium, mercury, PBB, PBDE, DBP, BBP, DEHP, DIBP, and 0.01% for cadmium, or qualify for an exemption to these limits as defined in the Annexes of Directive 2011/65/EU (RoHS2). Finished electrical and electronic equipment products will be CE marked as required by Directive 2011/65/EU. Components may not be CE marked. Additionally, the part numbers that TE has identified as EU ELV compliant have a maximum concentration of 0.1% by weight in homogenous materials for lead, hexavalent chromium, and mercury, and 0.01% for cadmium, or qualify for an exemption to these limits as defined in the Annexes of Directive 2000/53/EC (ELV). Regarding the REACH Regulation, the information TE provides on SVHC in articles for this part number is based on the latest European Chemicals Agency (ECHA) 'Guidance on requirements for substances in articles' posted at this URL: <https://echa.europa.eu/guidance-documents/guidance-on-reach>

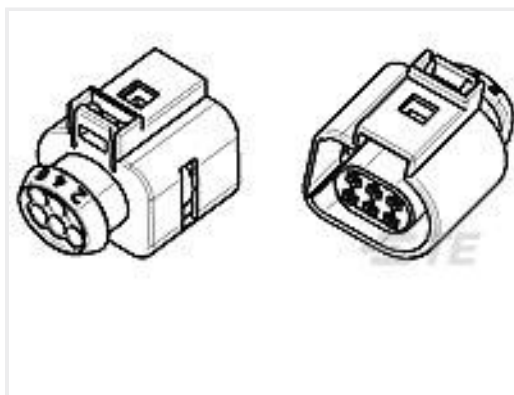
Compatible Parts

<p>TE Part # 1897465-1 5ATM 12P PLUG FRONT DBL HSG</p>	<p>TE Part # 1897463-2 5ATM 12P PLUG HSG</p>	<p>TE Part # 1897466-3 5ATM 12P REAR HOLDER HSG</p>	 <p>TE Part # CAT-M4595-T273 MCON Receptacle and Tab</p>
<p>TE Part # 1897464-2 5ATM 12P PLUG FRONT HOLDER HSG</p>	<p>TE Part # 2005812-1 5ATM 12P PLUG INNER SEAL</p>	<p>TE Part # 1897608-6 5ATM 12P PLUG CPA PLATE HSG</p>	<p>TE Part # 2005811-1 5ATM 12P PLUG FAMILY SEAL</p>
<p>TE Part # 1897458-2 5ATM 12P CAP HSG</p>	 <p>TE Part # 2278701-1 12POS, TAB1.0X0.6, HDR ASSY, 180DEG</p>		

Customers Also Bought



TE Part #1670144-3
MCON 1.2 CB REC SRC AG



TE Part #1813139-1
SEALED MT2 6POSN PLUG HOUSING
ASSEMBLY



TE Part #2298627-1
24POS, HYBRID, TAB HSG ASSY,
UNSLD, COD A



TE Part #1-2299988-1
REC CONN CVR ASSY, 65POS, AMP
MCP 1.5K



TE Part #CAT-M9194-CH8172
MULTILOCK, CONNECTOR HOUSING



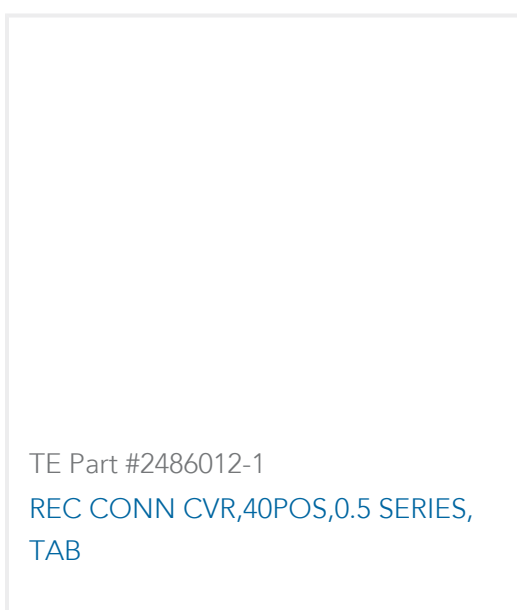
TE Part #2299987-3
65W PLUG ASSEMBLY



TE Part #1-2299987-1
65W SEAL PLUG, CONN KIT



TE Part #1-2355507-1
3POS, MCON 1.2, REC HSG ASSY, SLD,
COD A



TE Part #2486012-1
REC CONN CVR, 40POS, 0.5 SERIES,
TAB

Documents

CAD Files

Customer View Model

[ENG_CVM_CVM_1897462-2_A.2d_dxf.zip](#)

English

3D PDF

3D

Customer View Model

[ENG_CVM_CVM_1897462-2_A.3d_igs.zip](#)

English

Customer View Model

[ENG_CVM_CVM_1897462-2_A.3d_stp.zip](#)

English

By downloading the CAD file I accept and agree to the [Terms and Conditions](#) of use.

Product Specifications

MCP 1.2MM 5ATM 12P Connector

English