

1823467-1 ✓ ACTIVE

AMP MCP | AMP MCP 1.5K

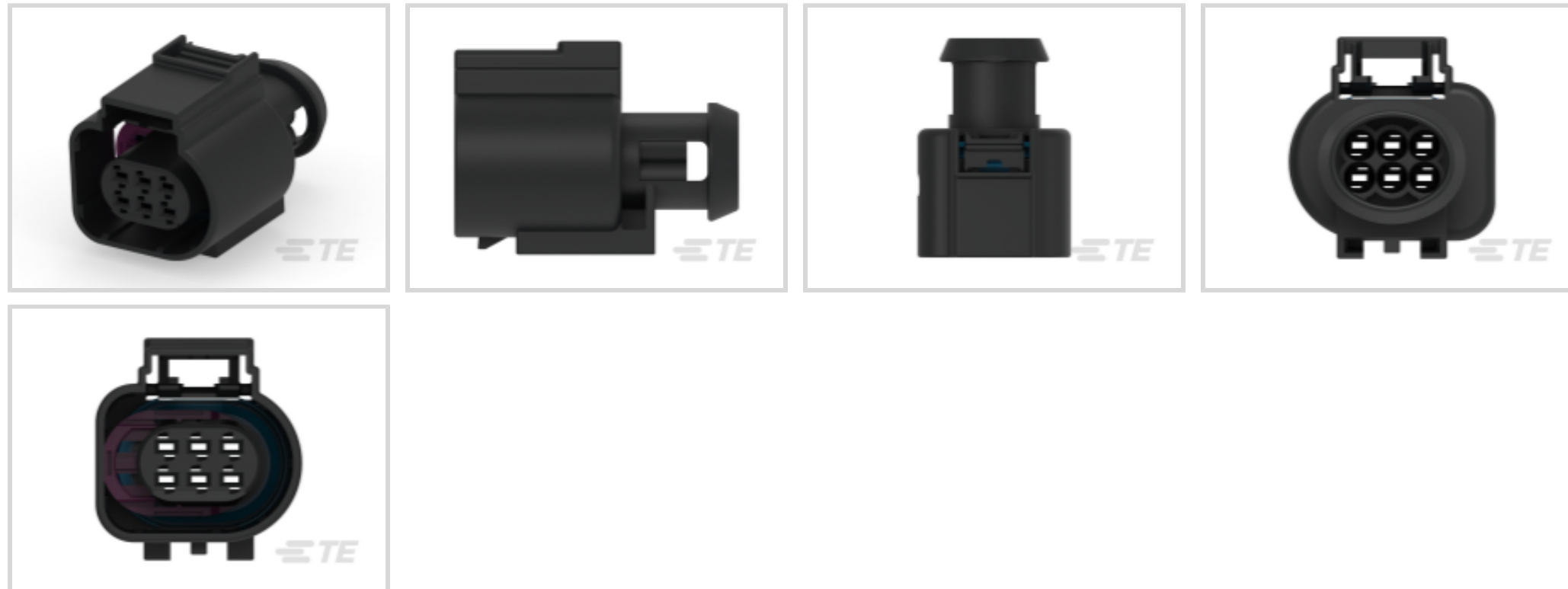
TE Internal #: 1823467-1

6 Position Housing, Housing for Female Terminals, Wire-to-Wire, 4 mm [.157 in] Centerline, Sealable, Black, Wire & Cable, Power, AMP MCP 1.5K

[View on TE.com >](#)



Automotive Parts > Automotive Connectors > Automotive Housings > 48V Ready 1.5mm Sealed Connectors



Connector & Housing Type: **Housing for Female Terminals**

Number of Positions: **6**

Sealable: **Yes**

Operating Temperature Range: **-40 – 150 °C [-40 – 302 °F]**

Number of Rows: **2**

[All 48V Ready 1.5mm Sealed Connectors \(19\)](#)

Features

Product Type Features

Mixed & Hybrid Connector	No
Connector Shape	Rectangular
Connector & Housing Type	Housing for Female Terminals
Sealable	Yes
Primary Locking Feature	Integrated in Housing
Connector System	Wire-to-Wire
Connector & Contact Terminates To	Wire & Cable

Configuration Features

Number of Positions	6
Number of Rows	2

Electrical Characteristics

Operating Voltage	14 VDC
-------------------	--------



Nominal Voltage Architecture	12 V
------------------------------	------

Body Features

Cable Exit Angle	180°
Primary Product Color	Black
Connector & Keying Code	A

Contact Features

Contact Size	1.5K
Contact Type	Receptacle
Mating Tab Width	1.5 mm[.059 in]

Mechanical Attachment

Strain Relief	Without
Terminal Position Assurance	Yes
Mating Alignment Type	Keyed
Mating Alignment	With
Connector Mounting Type	Cable Mount (Free-Hanging)

Housing Features

Housing Material	PA
Centerline (Pitch)	4 mm[.157 in]

Dimensions

Row-to-Row Spacing	2.54 mm[.1 in]
Product Width	36.4 mm[1.433 in]
Product Length	25.5 mm[1.004 in]
Connector Height	27.3 mm[1.075 in]

Usage Conditions

Operating Temperature Range	-40 – 150 °C[-40 – 302 °F]
Operating Temperature (Max)	150 °C[302 °F]

Operation/Application

Circuit Application	Power
---------------------	-------

Packaging Features

Packaging Quantity	450
Packaging Method	Box

Other



Serviceable	Yes
Connector Position Assurance Capable	No

Product Compliance

[For compliance documentation, visit the product page on TE.com>](#)

EU RoHS Directive 2011/65/EU	Compliant
EU ELV Directive 2000/53/EC	Compliant
China RoHS 2 Directive MIIT Order No 32, 2016	No Restricted Materials Above Threshold
EU REACH Regulation (EC) No. 1907/2006	Current ECHA Candidate List: JAN 2025 (247) Candidate List Declared Against: JAN 2025 (247) Does not contain REACH SVHC
Halogen Content	Low Halogen - Br, Cl, F, I < 900 ppm per homogenous material. Also BFR/CFR/PVC Free
Solder Process Capability	Not applicable for solder process capability

Product Compliance Disclaimer

This information is provided based on reasonable inquiry of our suppliers and represents our current actual knowledge based on the information they provided. This information is subject to change. The part numbers that TE has identified as EU RoHS compliant have a maximum concentration of 0.1% by weight in homogenous materials for lead, hexavalent chromium, mercury, PBB, PBDE, DBP, BBP, DEHP, DIBP, and 0.01% for cadmium, or qualify for an exemption to these limits as defined in the Annexes of Directive 2011/65/EU (RoHS2). Finished electrical and electronic equipment products will be CE marked as required by Directive 2011/65/EU. Components may not be CE marked. Additionally, the part numbers that TE has identified as EU ELV compliant have a maximum concentration of 0.1% by weight in homogenous materials for lead, hexavalent chromium, and mercury, and 0.01% for cadmium, or qualify for an exemption to these limits as defined in the Annexes of Directive 2000/53/EC (ELV). Regarding the REACH Regulation, the information TE provides on SVHC in articles for this part number is based on the latest European Chemicals Agency (ECHA) 'Guidance on requirements for substances in articles' posted at this URL: <https://echa.europa.eu/guidance-documents/guidance-on-reach>

Compatible Parts




TE Part # CAT-AM705-T273
AMP MCP, RECEPTACLE AND TAB



TE Part # 964971-1
EINZELLEITERDICHTUNG



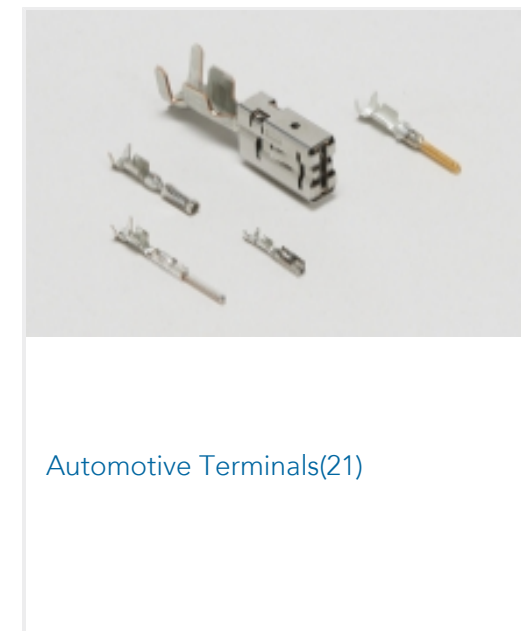
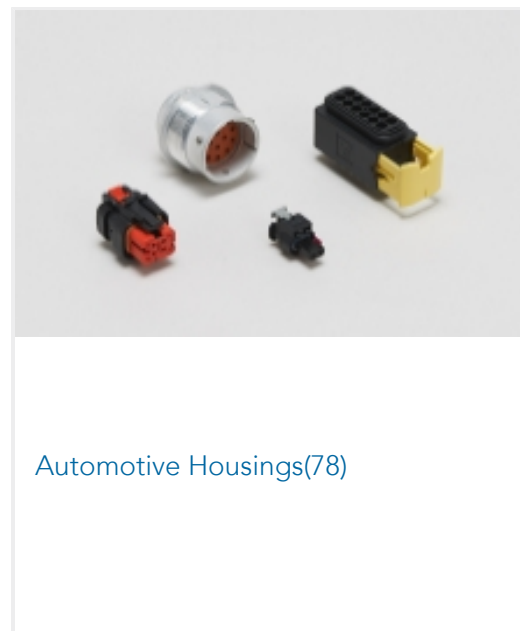
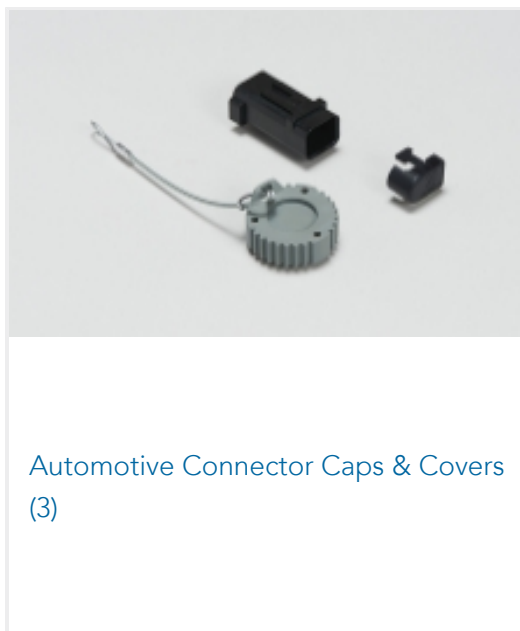
TE Part # 1718705-1
SINGLE WIRE SEAL,COLLAR DIA 2,



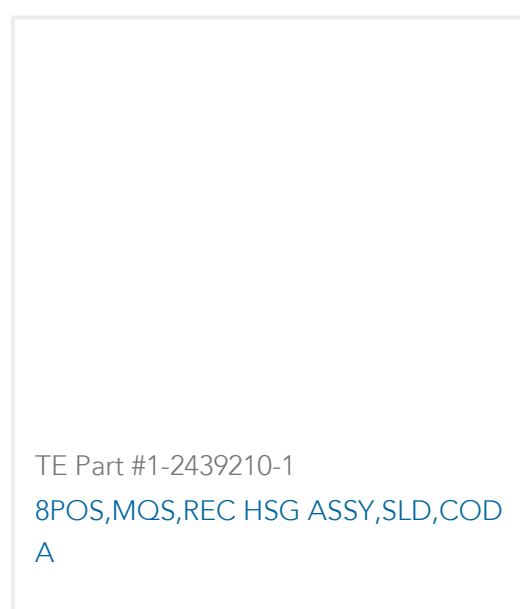
TE Part # 1823468-1
6POS,AMP MCP1.5K,REC HSG,CODA



Also in the Series | **AMP MCP 1.5K**



Customers Also Bought





Documents

Product Drawings

[6POS,AMP MCP1.5K,REC HSG,CODA](#)

English

CAD Files

[3D PDF](#)

3D

Customer View Model

[ENG_CVM_CVM_1823467-1_C.2d_dxf.zip](#)

English

Customer View Model

[ENG_CVM_CVM_1823467-1_C.3d_igs.zip](#)

English

Customer View Model

[ENG_CVM_CVM_1823467-1_C.3d_stp.zip](#)

English

By downloading the CAD file I accept and agree to the [Terms and Conditions](#) of use.

Product Specifications

[Termination_4-14p_radial_seal_1.6mm_tab](#)

German

[Application Specification](#)

German