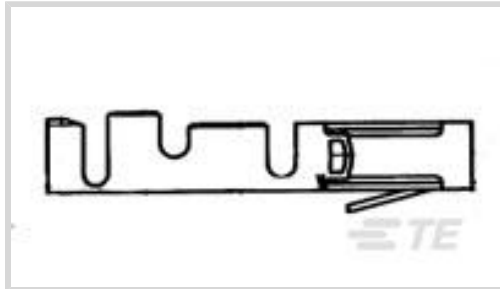




Connectors > Contacts > Connector Contacts



Contact Type: **Socket**

Contact Mating Area Plating Material: **Tin (Sn)**

Wire Contact Termination Area Plating Material: **Tin**

Compatible With Wire & Cable Type: **Discrete Wire**

Wire Size: **30 – 28 AWG**

Features

Product Type Features

Applied Pressure	Standard
------------------	----------

Configuration Features

Compatible With Wire & Cable Type	Discrete Wire
-----------------------------------	---------------

Contact Features

Mating Square Post Dimension	.64 mm[.025 in]
Contact Type	Socket
Contact Mating Area Plating Material	Tin (Sn)
Wire Contact Termination Area Plating Material	Tin
Contact Base Material	Phosphor Bronze
Contact Current Rating (Max)	3 A

Termination Features

Termination Method to Wire & Cable	Crimp
Product Terminates To	Wire & Cable

Mechanical Attachment

Wire Insulation Support	With
-------------------------	------

Dimensions

Compatible Insulation Diameter Range	.64 – 1.27 mm[.025 – .05 in]
Wire Size	100.5 – 159.8 CMA



Usage Conditions

Operating Temperature Range	-40 – 80 °C[-40 – 176 °F]
-----------------------------	---------------------------

Operation/Application

Circuit Application	Signal
---------------------	--------

Packaging Features

Packaging Method	Loose Piece
Packaging Quantity	2000

Product Compliance

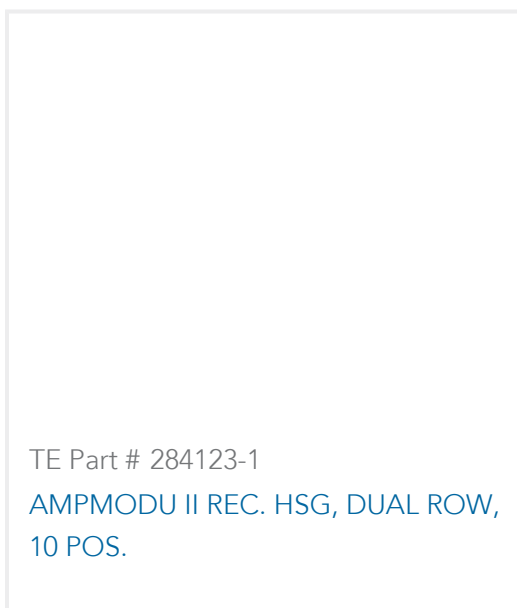
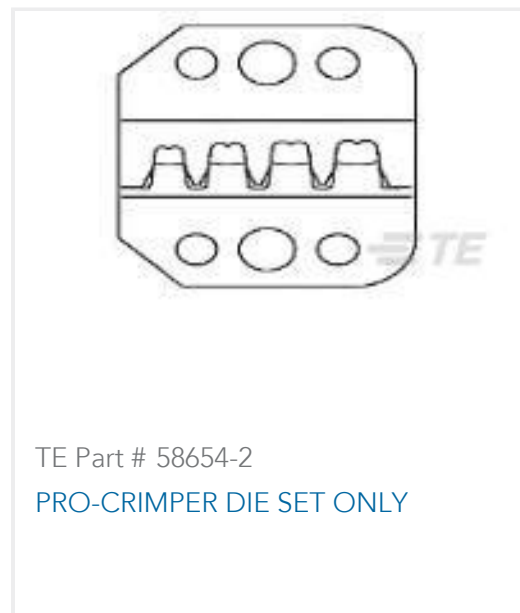
[For compliance documentation, visit the product page on TE.com>](#)

EU RoHS Directive 2011/65/EU	Compliant
EU ELV Directive 2000/53/EC	Compliant
China RoHS 2 Directive MIIT Order No 32, 2016	No Restricted Materials Above Threshold
EU REACH Regulation (EC) No. 1907/2006	Current ECHA Candidate List: JAN 2025 (247) Candidate List Declared Against: JAN 2025 (247) Does not contain REACH SVHC
Halogen Content	Low Halogen - Br, Cl, F, I < 900 ppm per homogenous material. Also BFR/CFR/PVC Free
Solder Process Capability	Not applicable for solder process capability

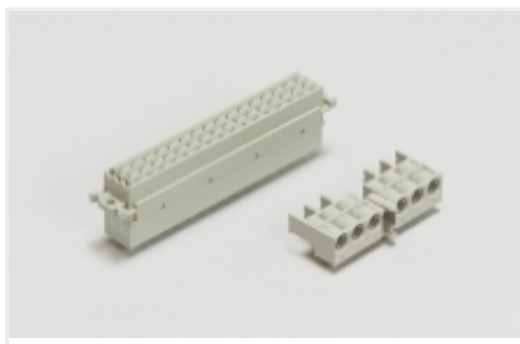
Product Compliance Disclaimer

This information is provided based on reasonable inquiry of our suppliers and represents our current actual knowledge based on the information they provided. This information is subject to change. The part numbers that TE has identified as EU RoHS compliant have a maximum concentration of 0.1% by weight in homogenous materials for lead, hexavalent chromium, mercury, PBB, PBDE, DBP, BBP, DEHP, DIBP, and 0.01% for cadmium, or qualify for an exemption to these limits as defined in the Annexes of Directive 2011/65/EU (RoHS2). Finished electrical and electronic equipment products will be CE marked as required by Directive 2011/65/EU. Components may not be CE marked. Additionally, the part numbers that TE has identified as EU ELV compliant have a maximum concentration of 0.1% by weight in homogenous materials for lead, hexavalent chromium, and mercury, and 0.01% for cadmium, or qualify for an exemption to these limits as defined in the Annexes of Directive 2000/53/EC (ELV). Regarding the REACH Regulation, the information TE provides on SVHC in articles for this part number is based on the latest European Chemicals Agency (ECHA) 'Guidance on requirements for substances in articles' posted at this URL: <https://echa.europa.eu/guidance-documents/guidance-on-reach>

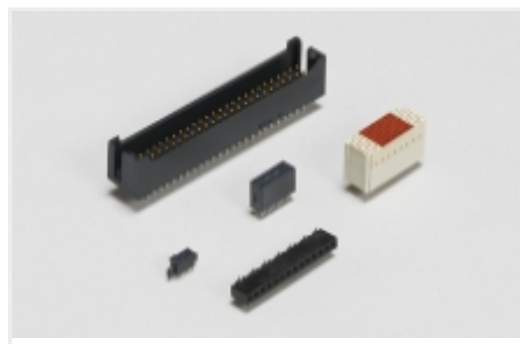
Compatible Parts



Also in the Series | **AMPMODU IV/V**



Backplane Connector Housings(1)



Board-to-Board Headers & Receptacles(143)



Connector Contacts(211)



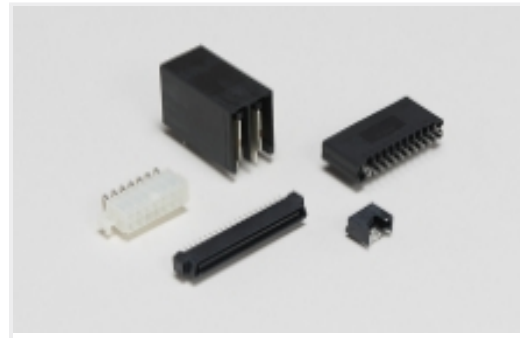
Connector Hardware(8)



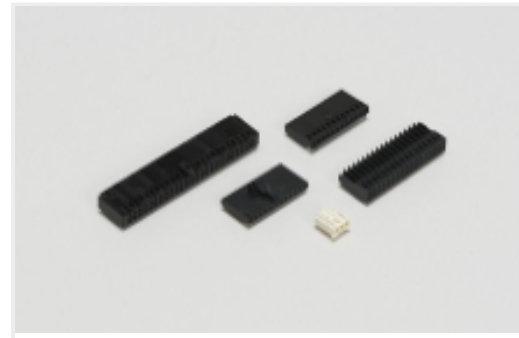
Power Contacts(171)



Rectangular Connector Housings(294)



Standard Rectangular Connectors(295)

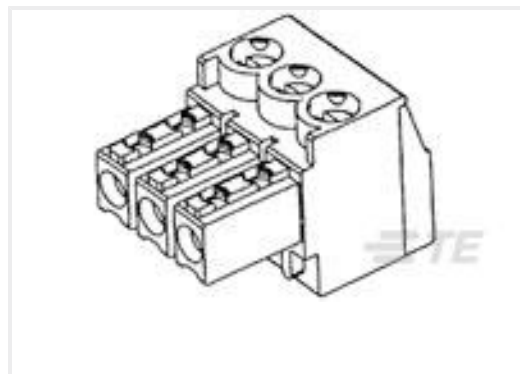


Wire-to-Board Connector Assemblies & Housings(295)

Customers Also Bought



TE Part #284174-E
STVC/2 48 F ABC VVV 7-00 TL 4,0 * 247 E0



TE Part #1-284506-0
10 POS TERMI-BLOK PLUG STAC 3,



TE Part #350866-1
01P UMNL CAP HSG



TE Part #521210-5
HSG,RAST 5,POSI LOCK MKIII,8P



TE Part #965687-1
FIXING RING



TE Part #1-967402-3
2,5MM ST-GEH KPL 2P



TE Part #CAT-SCH691-T1
PCB Power Relay: 30 Amp, Monostable DC



TE Part #4-1618394-1
EV200BAANA=CONTACTOR, SPST-NC 12V COIL



TE Part #1825537-2
MRJE2604

Documents



Product Drawings

[AMP MODU II RCPT CONT COSI LP](#)

English

Product Specifications

[Application Specification](#)

English