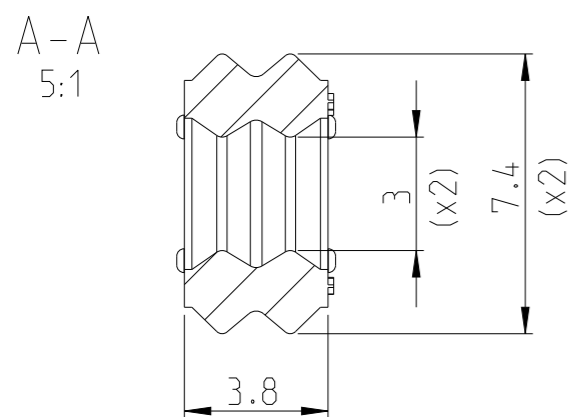
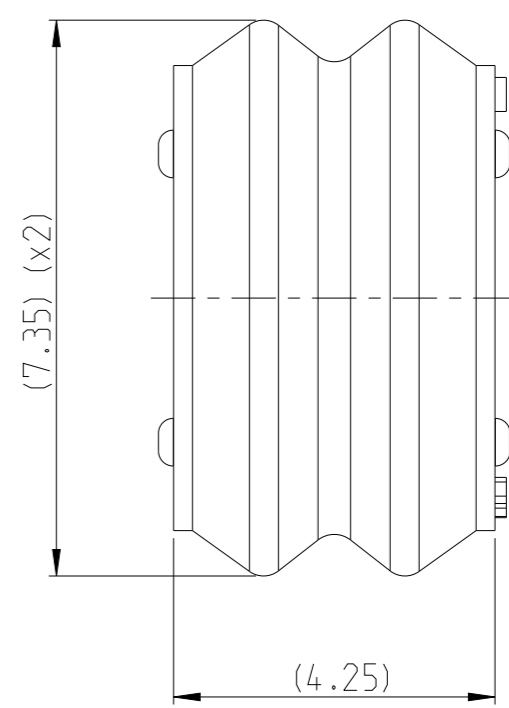
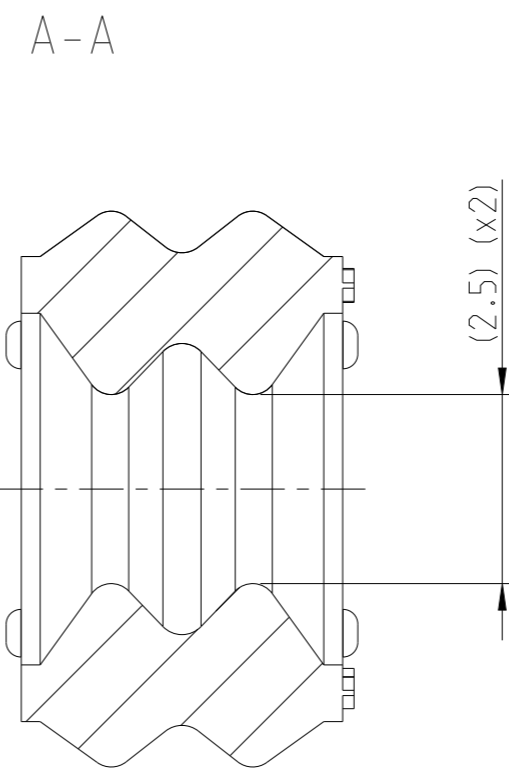
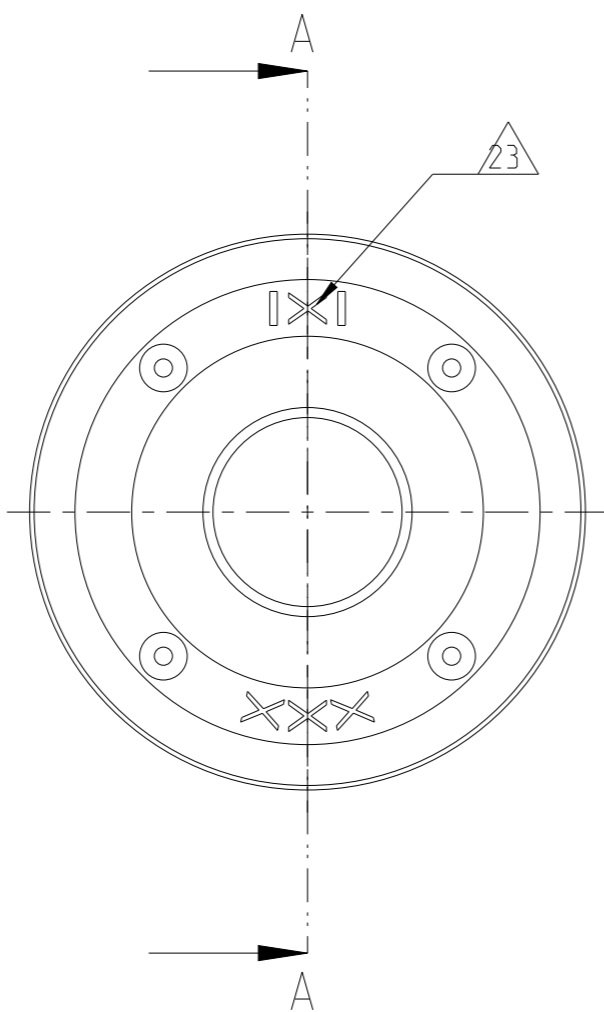


P	LTR	DESCRIPTION	DATE	DWN	APVD
A3		CAVITIES MARKING UPDATED - MOLD ID ADDED	28MAR2019	NS	XR
A4		Variant-2 updated new design	15APR2020	NS	XR
A5		PROTO PN HAD BEEN SUPERSEDED BY SERIAL PN	13JAN2022	NS	XR
B		MATERIAL HAD BEEN UPDATED	02NOV2023	NS	XR



1802112-2 AS SHOWN



1802112-1 AS SHOWN

21	1802112-1	SINGLE WIRE SEAL MATeNet Sealed 1-Port UTP VERSION	SILICON	LIGHT BLUE
22	1802112-2	SINGLE WIRE SEAL MATeNet Sealed 1-Port UTP/STP VERSION	SILICON	GREEN
	PART NO	DESCRIPTION	MATERIAL	COLOUR


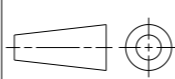
Notizen/NOTES

20 Passend zu Gehäuse 1802105-X / 1802113-X
SUITABLE FOR HOUSING 1802105-X / 1802113-X

21 Passend für Mantelkabel $\varnothing 3.2 \pm 0.2$
SUITABLE FOR JACKET CABLE $\varnothing 3.2 \pm 0.2$

22 Passend für Mantelkabel Min $\varnothing 4.1 \pm 0.25$
SUITABLE FOR JACKET CABLE $\varnothing 4.1 \pm 0.25$

23 MOLD NUMBER, EXAMPLE: X=2 FOR MOLD NUMBER 2,..
NO MARKING FOR THE FIRST MOLD.

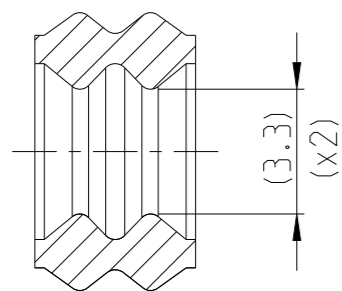
THIS DRAWING IS A CONTROLLED DOCUMENT.		DWN N.SIMON 21JUL2016	 TE Connectivity	
DIMENSIONS: mm		CHK C.SCHRETTLINGER 21JUL2016		
TOLERANCES UNLESS OTHERWISE SPECIFIED: RMA - Class 1		APVD W.MUELLER 21JUL2016	NAME SINGLE WIRE SEAL MATeNet Sealed 1-Port	
		PRODUCT SPEC	-	
0 PLC ± 1 PLC ± 2 PLC ± 3 PLC ± 4 PLC ± ANGLES ±		APPLICATION SPEC	-	
MATERIAL SEE TABLE		114-94431	SIZE A3	CAGE CODE 00779
-		WEIGHT 0.18gr	DRAWING NO C=1802112	RESTRICTED TO -
-		CUSTOMER DRAWING	SCALE 10:1	SHEET 1 OF 2
				REV B

REVISIONS

P	LTR	DESCRIPTION	DATE	DWN	APVD
	-	SEE SHEET 1	-	-	-

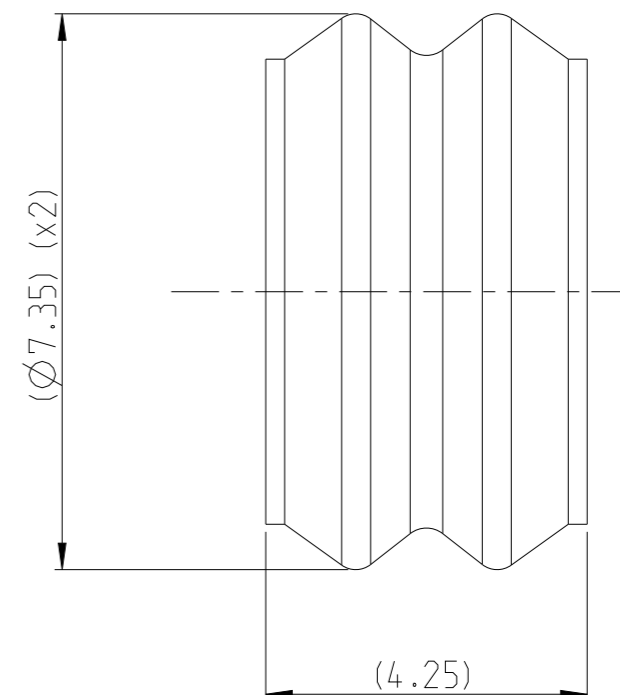
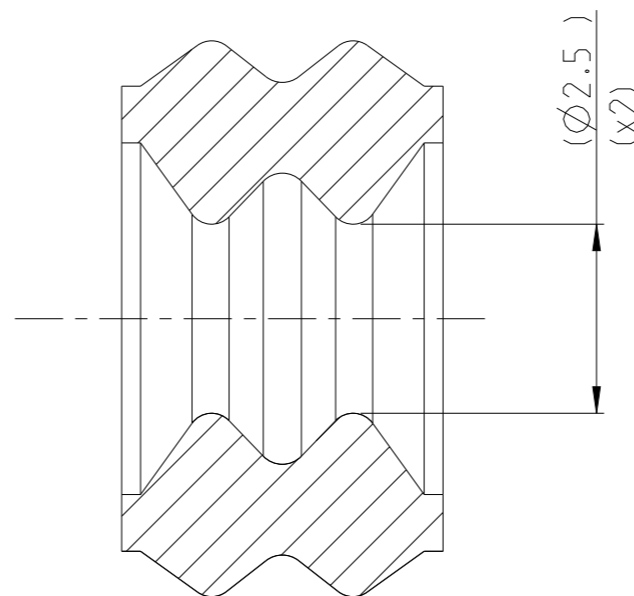
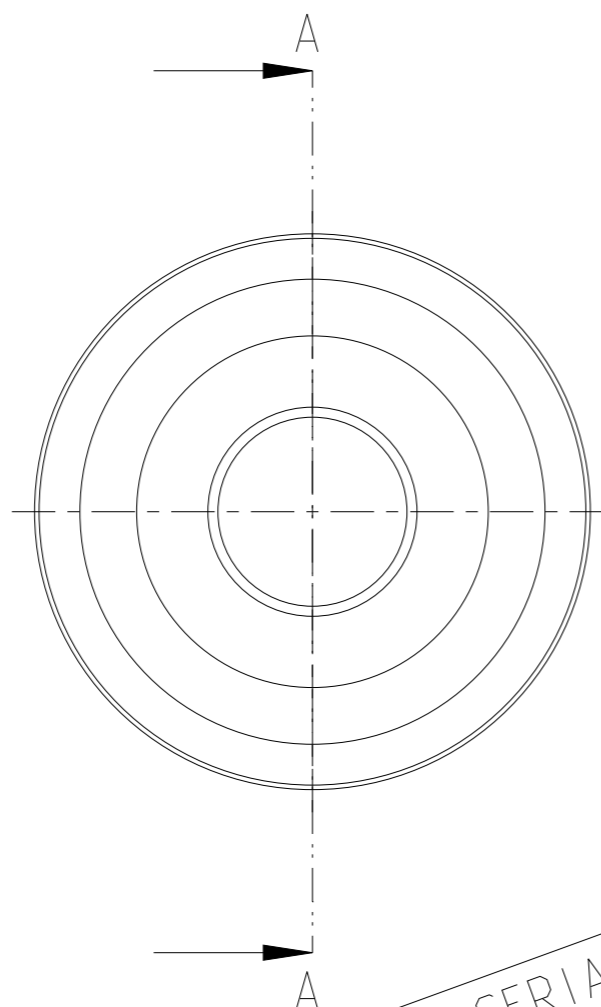
FOR PROTOTYPE B-SAMPLE ONLY
NUR FUER B-MUSTER

A-A
5:1



9-1802112-3 AS SHOWN

A-A



SUPERSEDED BY SERIAL PARTS

A5

9-1802112-1 AS SHOWN

2	9-1802112-1	SINGLE WIRE SEAL MATenet Sealed 1-Port	SILICON	LIGHT BLUE
3	9-1802112-3	SINGLE WIRE SEAL MATenet Sealed 1-Port STP VERSION	SILICON	GREEN
	PART NO	DESCRIPTION	MATERIAL	COLOUR Similar RAL

Notizen/NOTES

1 Passend zu Gehäuse 9-1802105-X / 9-1802113-X
SUITABLE FOR HOUSING 9-1802105-X / 9-1802113-X

2 Passend fur Mantelkabel $\varnothing 3.2 \pm 0.2$
SUITABLE FOR JACKET CABLE $\varnothing 3.2 \pm 0.2$

3 Passend fur Mantelkabel $\varnothing 4.0 \pm 0.2$
SUITABLE FOR JACKET CABLE $\varnothing 4.0 \pm 0.2$

DIMENSIONS:		TOLERANCES UNLESS OTHERWISE SPECIFIED:	
mm		RMA - Class 1	
		0 PLC	±
		1 PLC	±
		2 PLC	±
		3 PLC	±
		4 PLC	±
		ANGLES	±
MATERIAL		FINISH	-
SEE TABLE			-

DWN	N.SIMON	21JUL2016
CHK	C.SCHRETTLINGER	21JUL2016
APVD	W.MUELLER	21JUL2016
PRODUCT SPEC	-	
APPLICATION SPEC	114-94431	
WEIGHT	0.18gr	
CUSTOMER DRAWING		

		TE Connectivity	
		NAME	
SINGLE WIRE SEAL MATenet Sealed 1-Port		-	
SIZE	A3	CAGE CODE	00779
DRAWING NO	C=1802112		RESTRICTED TO
SCALE		7:1	SHEET 2 OF 2
REV		B	