

1801627-3 ✓ ACTIVE



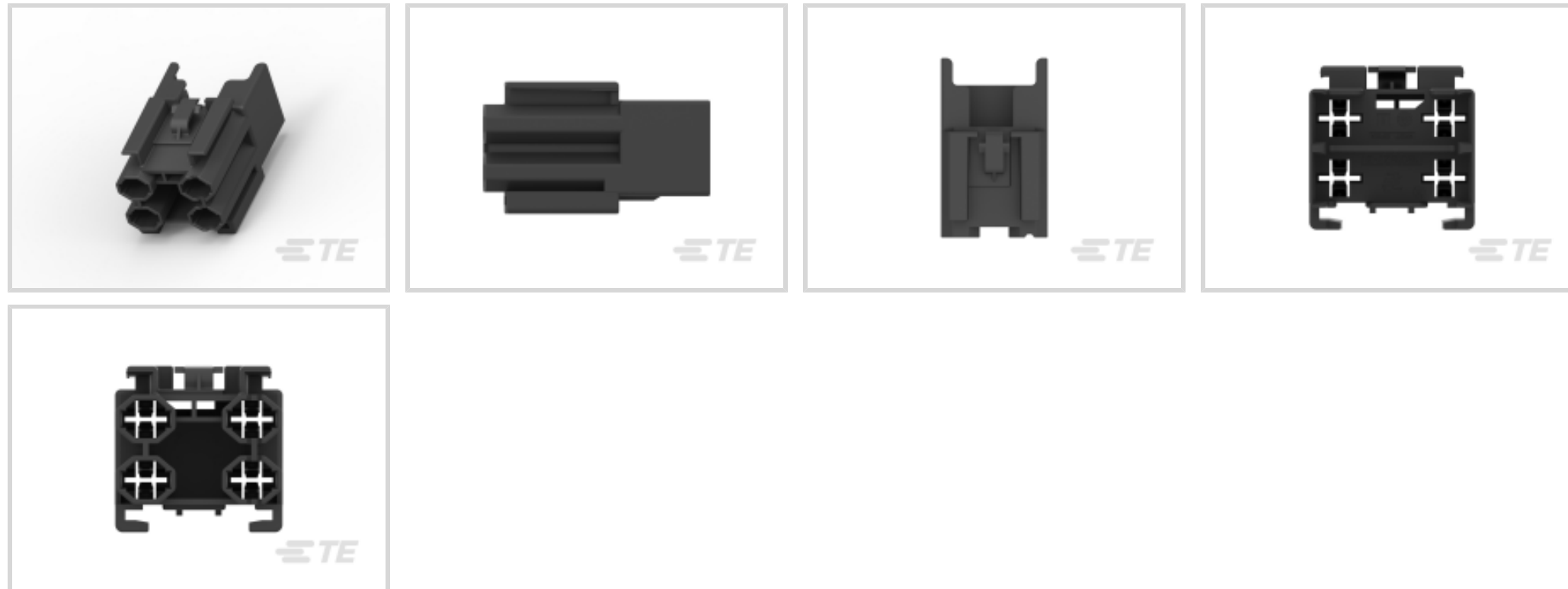
Modular Hard Wired Fuse and Relay Box

TE Internal #: 1801627-3

Fuse Holder, High Current Fuse, 2 Fuses (Minimum), UL 94HB, 3G, -40 – 85 °C [-40 – 185 °F], Modular Hard Wired Fuse and Relay Box, Module Components

[View on TE.com >](#)

Automotive Parts > Automotive Power Distribution Boxes > Module Components



Component Type: **Fuse Holder**

Fuse Type: **High Current Fuse**

Number of Fuses (Minimum): **2**

Primary Locking Feature: **Clean Body**

Secondary Locking: **No**

Features

Product Type Features

Component Type	Fuse Holder
Fuse Type	High Current Fuse
Primary Locking Feature	Clean Body

Configuration Features

Number of Fuses (Minimum)	2
---------------------------	---

Electrical Characteristics

Operating Voltage	12 V
-------------------	------

Body Features

Secondary Locking	No
-------------------	----

Usage Conditions

Operating Temperature Range	-40 – 85 °C[-40 – 185 °F]
-----------------------------	---------------------------

Operation/Application

Vibration Class Level	3G
-----------------------	----



Industry Standards

UL Flammability Rating	UL 94HB
------------------------	---------

Other

Coupling With Other TE Modules	Yes
--------------------------------	-----

Product Compliance

[For compliance documentation, visit the product page on TE.com>](#)

EU RoHS Directive 2011/65/EU	Compliant
EU ELV Directive 2000/53/EC	Compliant
China RoHS 2 Directive MIIT Order No 32, 2016	No Restricted Materials Above Threshold
EU REACH Regulation (EC) No. 1907/2006	Current ECHA Candidate List: JAN 2025 (247) Candidate List Declared Against: JAN 2025 (247) Does not contain REACH SVHC
Halogen Content	Low Halogen - Br, Cl, F, I < 900 ppm per homogenous material. Also BFR/CFR/PVC Free
Solder Process Capability	Not reviewed for solder process capability

Product Compliance Disclaimer

This information is provided based on reasonable inquiry of our suppliers and represents our current actual knowledge based on the information they provided. This information is subject to change. The part numbers that TE has identified as EU RoHS compliant have a maximum concentration of 0.1% by weight in homogenous materials for lead, hexavalent chromium, mercury, PBB, PBDE, DBP, BBP, DEHP, DIBP, and 0.01% for cadmium, or qualify for an exemption to these limits as defined in the Annexes of Directive 2011/65/EU (RoHS2). Finished electrical and electronic equipment products will be CE marked as required by Directive 2011/65/EU. Components may not be CE marked. Additionally, the part numbers that TE has identified as EU ELV compliant have a maximum concentration of 0.1% by weight in homogenous materials for lead, hexavalent chromium, and mercury, and 0.01% for cadmium, or qualify for an exemption to these limits as defined in the Annexes of Directive 2000/53/EC (ELV). Regarding the REACH Regulation, the information TE provides on SVHC in articles for this part number is based on the latest European Chemicals Agency (ECHA) 'Guidance on requirements for substances in articles' posted at this URL: <https://echa.europa.eu/guidance-documents/guidance-on-reach>

Compatible Parts



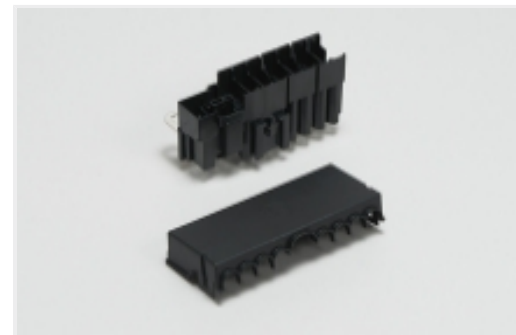
Also in the Series | **Modular Hard Wired Fuse and Relay Box**



Automotive Housings(1)



Automotive Signal & Power Connector Housings(1)



Battery Distribution Units(1)

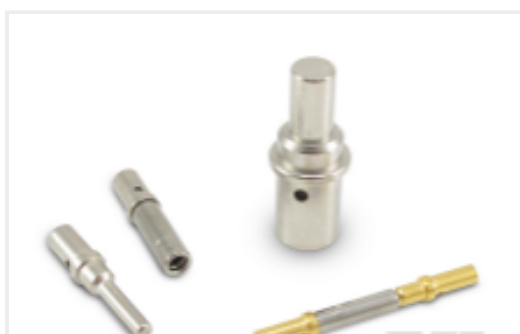


Other Automotive Connector Accessories(1)



Other Hard Wired Boxes(2)

Customers Also Bought



TE Part #CAT-D48-ST273
DEUTSCH Solid Contacts



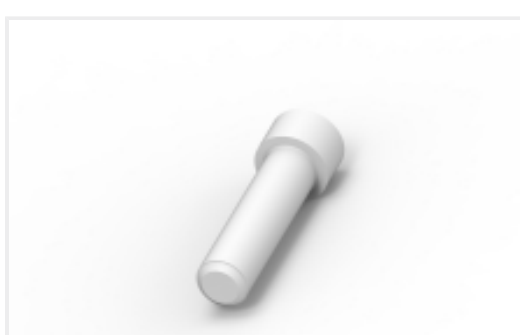
TE Part #CAT-D487-W416
Wedgelocks: DEUTSCH DT



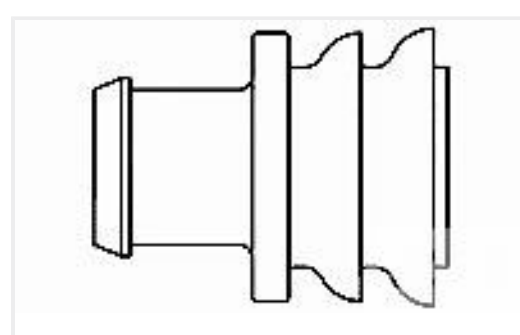
TE Part #DT06-2S
PLG, 2P, GRY, N



TE Part #DT04-2P
REC, 2P, GRY, N



TE Part #114017-ZZ
SEALING PLUG, SIZE 12/16, WHT



TE Part #281934-2
SINGLE WIRE SEAL



TE Part #CAT-AM71-CH8172
AMP SUPERSEAL 1.5MM,
CONNECTOR HOUSING

Documents

Product Drawings

[2 MAXIFUSES MODULE WIRED V2](#)

English

CAD Files

[3D PDF](#)

3D



Customer View Model

[ENG_CVM_CVM_1801627-3_B.2d_dxf.zip](#)

English

Customer View Model

[ENG_CVM_CVM_1801627-3_B.3d_igs.zip](#)

English

Customer View Model

[ENG_CVM_CVM_1801627-3_B.3d_stp.zip](#)

English

By downloading the CAD file I accept and agree to the [Terms and Conditions](#) of use.

Product Specifications

[Product Specification](#)

English

Instruction Sheets

[Instruction Sheet \(non U.S.\)](#)

French