



CROWN EDGE

TE Internal #: 1766354-1

Socket Contact, Gold (Au), Copper Alloy, Power, -40 – 105 °C [-40 – 221 °F], CROWN EDGE

[View on TE.com >](#)

Connectors > Contacts > Connector Contacts



Contact Type: **Socket**

Contact Mating Area Plating Material: **Gold (Au)**

Contact Base Material: **Copper Alloy**

Circuit Application: **Power**

Operating Temperature Range: **-40 – 105 °C [-40 – 221 °F]**

Features

Contact Features

PCB Contact Termination Area Plating Material	Tin
Contact Type	Socket
Contact Mating Area Plating Material	Gold (Au)
Contact Base Material	Copper Alloy
Contact Mating Area Plating Material Thickness	.762 µm[30 µin]
Contact Underplating Material	Nickel
Contact Underplating Material Thickness	1.27 µm[50 µin]

Termination Features

Termination Method to PCB	Through Hole - Press-Fit
---------------------------	--------------------------

Usage Conditions

Operating Temperature Range	-40 – 105 °C[-40 – 221 °F]
-----------------------------	----------------------------

Operation/Application

Circuit Application	Power
---------------------	-------

Packaging Features



Packaging Method	Box
------------------	-----

Product Compliance

[For compliance documentation, visit the product page on TE.com>](#)

EU RoHS Directive 2011/65/EU	Compliant
EU ELV Directive 2000/53/EC	Compliant
China RoHS 2 Directive MIIT Order No 32, 2016	No Restricted Materials Above Threshold
EU REACH Regulation (EC) No. 1907/2006	Current ECHA Candidate List: JAN 2025 (247) Candidate List Declared Against: JAN 2025 (247) Does not contain REACH SVHC
Halogen Content	Not Low Halogen - contains Br or Cl > 900 ppm.
Solder Process Capability	Not applicable for solder process capability

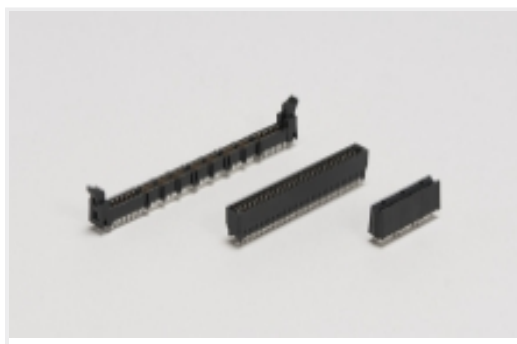
Product Compliance Disclaimer

This information is provided based on reasonable inquiry of our suppliers and represents our current actual knowledge based on the information they provided. This information is subject to change. The part numbers that TE has identified as EU RoHS compliant have a maximum concentration of 0.1% by weight in homogenous materials for lead, hexavalent chromium, mercury, PBB, PBDE, DBP, BBP, DEHP, DIBP, and 0.01% for cadmium, or qualify for an exemption to these limits as defined in the Annexes of Directive 2011/65/EU (RoHS2). Finished electrical and electronic equipment products will be CE marked as required by Directive 2011/65/EU. Components may not be CE marked. Additionally, the part numbers that TE has identified as EU ELV compliant have a maximum concentration of 0.1% by weight in homogenous materials for lead, hexavalent chromium, and mercury, and 0.01% for cadmium, or qualify for an exemption to these limits as defined in the Annexes of Directive 2000/53/EC (ELV). Regarding the REACH Regulation, the information TE provides on SVHC in articles for this part number is based on the latest European Chemicals Agency (ECHA) 'Guidance on requirements for substances in articles' posted at this URL: <https://echa.europa.eu/guidance-documents/guidance-on-reach>

Compatible Parts



Also in the Series | **CROWN EDGE**



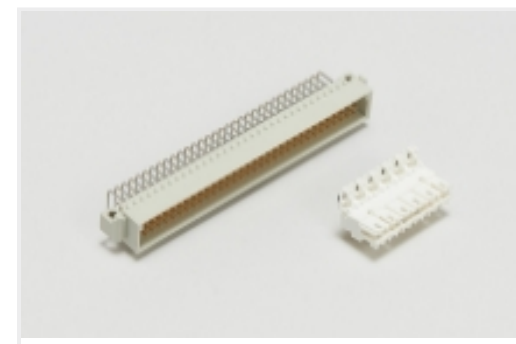
Card Edge Power Connectors(27)



Connector Contacts(1)

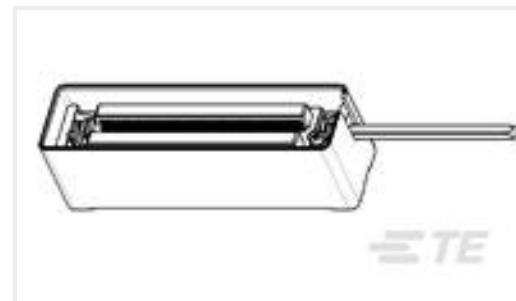
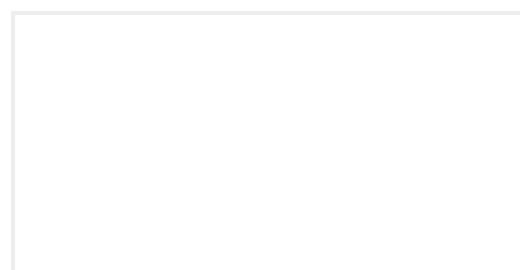


Power Contacts(1)



Standard Edge Connectors(2)

Customers Also Bought

TE Part #5-146250-2
04 MODII HDR DRST B/A .100CLTE Part #9-329632-0
LOCKWASHERTE Part #1734100-3
Champ050 series,30pos,Au over PdNiTE Part #3-2343522-3
SFP56 STACKED 2X2 RECEPTACLE
ASSEMBLYTE Part #5747840-5
HD-20 PLUG RA .318 FMS BD-LK STE Part #5767054-1
MICT,RECPT,38,ASSY,PDNITE Part #6565204-1
TC-ZIF REC ASSY 260PTE Part #1469734-1
HM-ZD 2PR HDR 40P SEQ, LFTE Part #1766355-1
284-0332-04003=TA CONN,SKTTE Part #3-5100161-0
Z-PACK/C RAF 55P

Documents

Product Drawings

[284-0492-11000=TA CONN,SKT](#)

English

CAD Files

Customer View Model

[ENG_CVM_CVM_1766354-1_C.2d_dxf.zip](#)

English

[3D PDF](#)



3D

Customer View Model

[ENG_CVM_CVM_1766354-1_C.3d_igs.zip](#)

English

Customer View Model

[ENG_CVM_CVM_1766354-1_C.3d_stp.zip](#)

English

By downloading the CAD file I accept and agree to the [Terms and Conditions](#) of use.

Product Specifications

[Application Specification](#)

English

Agency Approvals

[UL](#)

English