

4

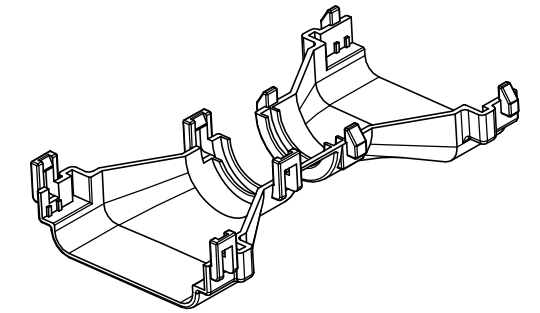
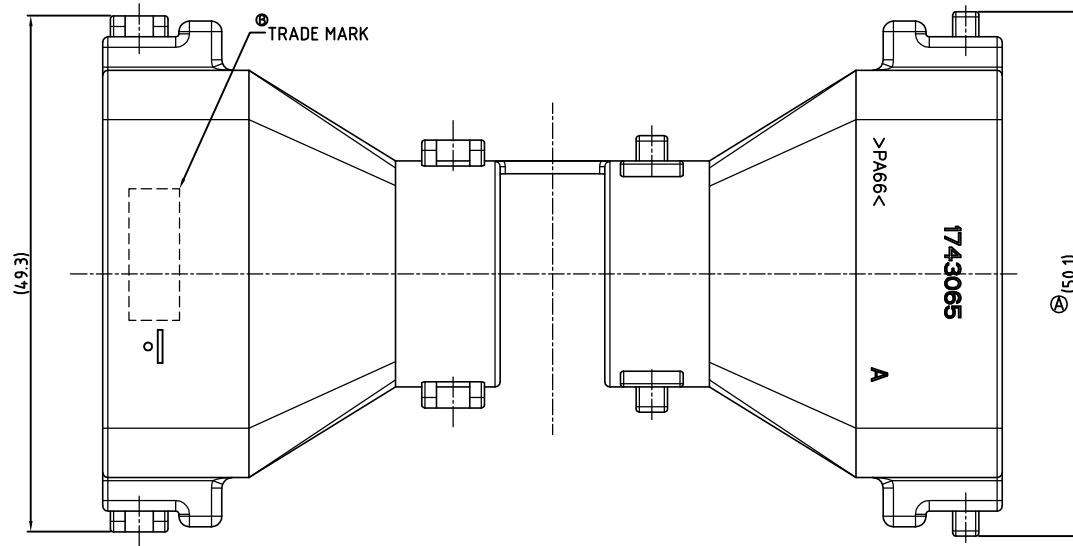
3

2

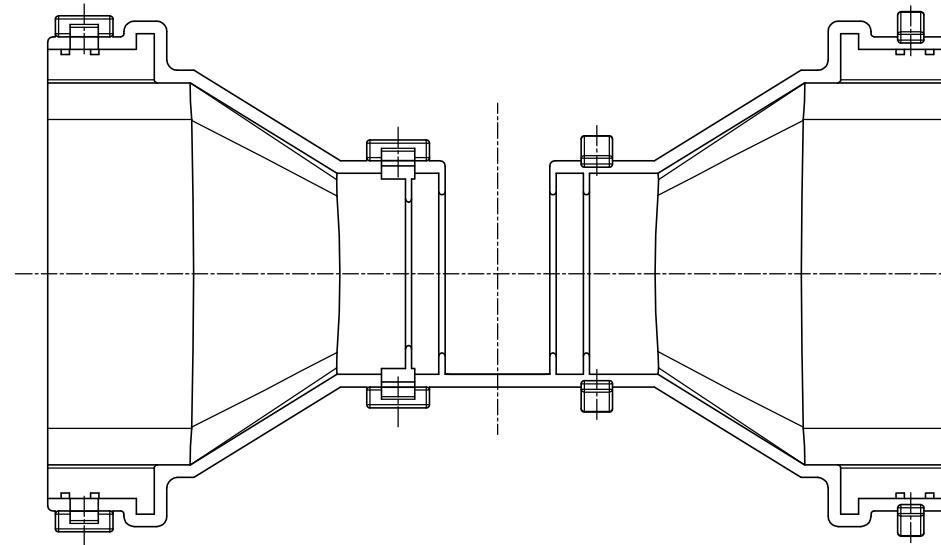
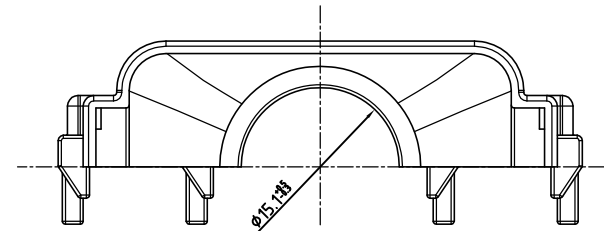
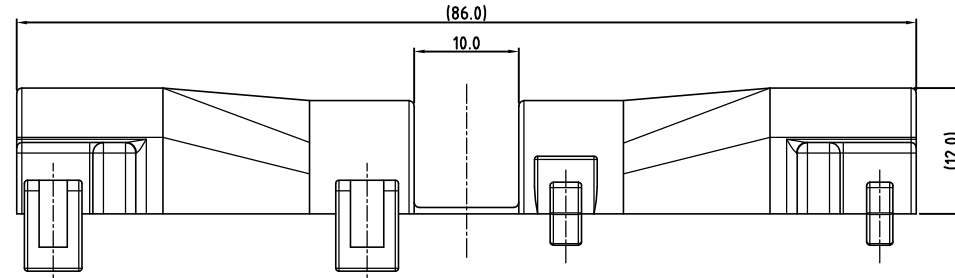
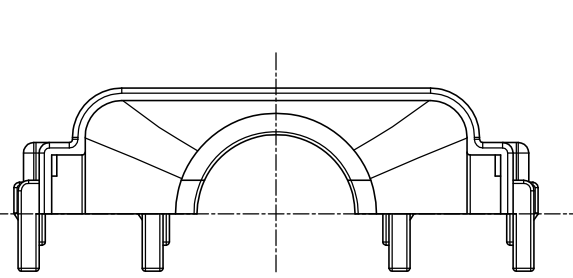
1

THIS DRAWING IS UNPUBLISHED. RELEASED FOR PUBLICATION  
COPYRIGHT BY TYCO ELECTRONICS CORPORATION. ALL RIGHTS RESERVED.

| LOC |   | DIST |     | REVISIONS              |           |     |      |
|-----|---|------|-----|------------------------|-----------|-----|------|
| DS  | - | P    | LTR | DESCRIPTION            | DATE      | DWN | APVD |
|     |   | A    |     | REVISED(ECR-06-027317) | 29/JAN/07 | SW  | JK   |
|     |   | B    |     | REVISED(ECR-10-020545) | 03/DEC/10 | SJ  | HG   |



3D-VIEW  
SCALE 1/1



NOTES;

- 1. WARP IS 0.5 MAX. AND FLASH IS 0.3 MAX.
- 2. APPLICABLE CONNECTOR : X-1743062-X
- 3. APPLICABLE CORRUGATOR DIAMETER :  $\phi 14.0$

|   |  |   |          |  |             |
|---|--|---|----------|--|-------------|
| control priority dimension;<br><input checked="" type="checkbox"/> CRITICAL, <input checked="" type="checkbox"/> MAJOR, <input type="checkbox"/> MINOR                                    |  | BLACK   | PA66     | CAP COVER  | 0-1743065-2 |
| THIS DRAWING IS A CONTROLLED DOCUMENT FOR TYCO ELECTRONICS CORPORATION. IT IS SUBJECT TO CHANGE AND THE CONTROLLING ENGINEERING ORGANIZATION SHOULD BE CONTACTED FOR THE LATEST REVISION. |  | COLOR   | MATERIAL | DESCRIPTION  | P/N         |
| DIMENSIONS:<br>MM   | TOLERANCES UNLESS OTHERWISE SPECIFIED:<br>DECIMALS: $\pm 0.3$<br>ANGLES: $\pm 3^\circ$ | DWN: SJ CHOI<br>CHK: JW JUNG<br>APVD: HG CHO<br>PRODUCT SPEC: -<br>APPLICATION SPEC: -<br>WEIGHT: -<br>CUSTOMER DRAWING |          |  |             |
| 3rd ANGLE PROJECTION  | FINISH: -  | Tyco Electronics<br>Tyco Electronics kyungsan, korea  |          | NAME: COVER FOR MTII/JPT SLD 36P CAP<br>SIZE: A2 CAGE CODE: 00779 DRAWING NO: 1743065 RESTRICTED TO: - |             |
| MATERIAL: SEE TABLE   |  | SCALE: 2/1  |          | SHEET: 1 OF 1  | REV: B      |