

1743064-2 ✓ ACTIVE



Micro Timer III

TE Internal #: 1743064-2

36 Position, Black, Cover, PA 66, 180 ° Cable Exit, Micro Timer III

[View on TE.com >](#)

Automotive Parts > Automotive Connector Accessories > Automotive Connector Caps & Covers



Number of Positions: **36**

Primary Product Color: **Black**

Protection & Strain Relief Accessory Type: **Cover**

Primary Product Material: **PA 66**

Cable Exit Angle: **180 °**

Features

Product Type Features

Sealable	No
Protection & Strain Relief Accessory Type	Cover

Configuration Features

Number of Positions	36
---------------------	----

Body Features

Primary Product Color	Black
Primary Product Material	PA 66
Cable Exit Angle	180 °

Mechanical Attachment

Strain Relief	Without
---------------	---------

Product Compliance

[For compliance documentation, visit the product page on TE.com>](#)

EU RoHS Directive 2011/65/EU	Compliant
EU ELV Directive 2000/53/EC	Compliant



China RoHS 2 Directive MIIT Order No 32, 2016	有害物质含量符合标准要求 No Restricted Substance(s) Above Threshold
EU REACH Regulation (EC) No. 1907/2006	Current ECHA Candidate List: JUNE 2025 (250) Candidate List Declared Against: JUNE 2025 (250) Does not contain REACH SVHC
Halogen Content	Low Halogen - Br, Cl, F < 900 ppm per homogenous material. Also BFR/CFR/PVC Free
Solder Process Capability	Not applicable for solder process capability

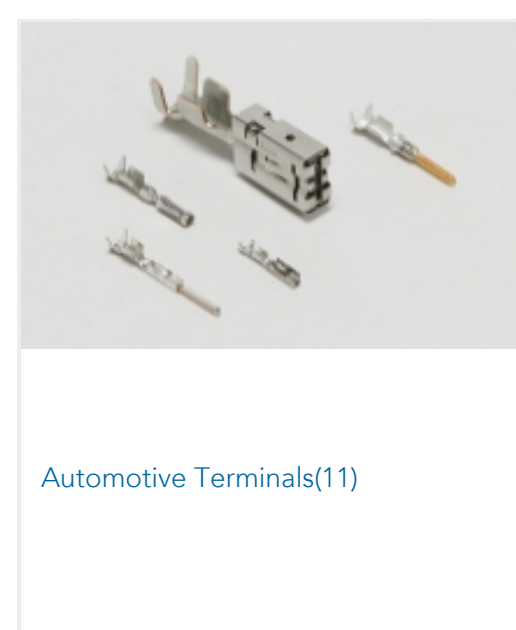
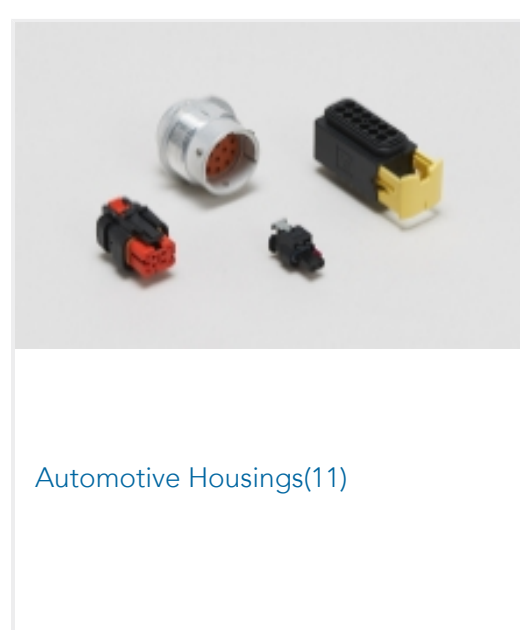
Product Compliance Disclaimer

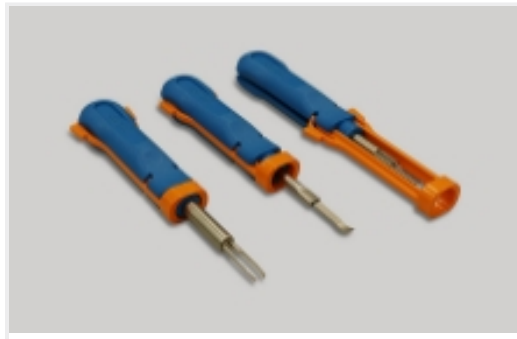
This information is provided based on reasonable inquiry of our suppliers and represents our current actual knowledge based on the information they provided. This information is subject to change. The part numbers that TE has identified as EU RoHS compliant have a maximum concentration of 0.1% by weight in homogenous materials for lead, hexavalent chromium, mercury, PBB, PBDE, DBP, BBP, DEHP, DIBP, and 0.01% for cadmium, or qualify for an exemption to these limits as defined in the Annexes of Directive 2011/65/EU (RoHS2). Finished electrical and electronic equipment products will be CE marked as required by Directive 2011/65/EU. Components may not be CE marked. Additionally, the part numbers that TE has identified as EU ELV compliant have a maximum concentration of 0.1% by weight in homogenous materials for lead, hexavalent chromium, and mercury, and 0.01% for cadmium, or qualify for an exemption to these limits as defined in the Annexes of Directive 2000/53/EC (ELV). Regarding the REACH Regulation, the information TE provides on SVHC in articles for this part number is based on the latest European Chemicals Agency (ECHA) 'Guidance on requirements for substances in articles' posted at this URL: <https://echa.europa.eu/guidance-documents/guidance-on-reach>

Compatible Parts



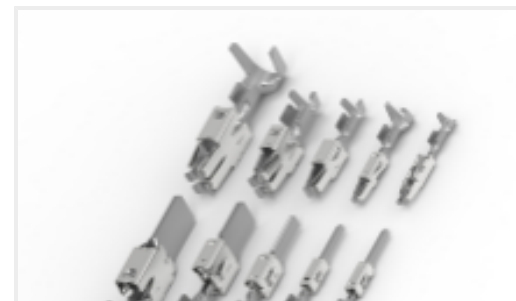
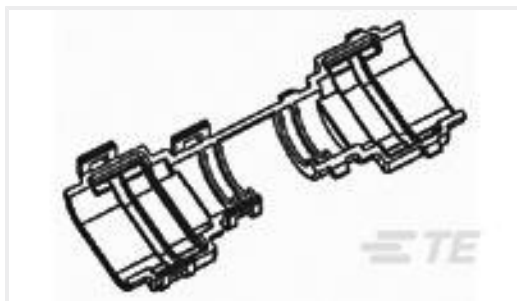
Also in the Series | Micro Timer III





Insertion & Extraction Tools(3)

Customers Also Bought

TE Part #281091-2
FF 375 REC 6-10MM2 TPBRTE Part #368036-1
CLIP FOR 070 & EJ MK-II(DAEWOO)TE Part #368047-1
E-S MK-2(+) 16P PLUG ASSYTE Part #CAT-T4827-T273
TIMER, RECEPTACLE AND TABTE Part #936112-1
2.8mm Sealed 3P CoverTE Part #936783-2
MT-II/JPT SLD 20P CAP COVERTE Part #1743059-2
MT-II/JPT SLD 36P PLUG ASSYTE Part #1743062-2
MT-II/JPT SLD 36P CAP HSGTE Part #1743065-2
MT-II/JPT SLD 36P CAP COVER

Documents

Product Drawings

[MT-2/JPT SLD 36P PLUG COVER BK](#)

English

CAD Files

[Customer View Model](#)

[ENG_CVM_CVM_1743064-2_B.2d_dxf.zip](#)

English

[3D PDF](#)



3D

Customer View Model

[ENG_CVM_CVM_1743064-2_B.3d_igs.zip](#)

English

Customer View Model

[ENG_CVM_CVM_1743064-2_B.3d_stp.zip](#)

English

By downloading the CAD file I accept and agree to the [Terms and Conditions](#) of use.

Instruction Sheets

[Instruction Sheet \(U.S.\)](#)

English