

1742800-1 ✓ ACTIVE

FASTIN-FASTON | FASTIN-FASTON 187

TE Internal #: 1742800-1

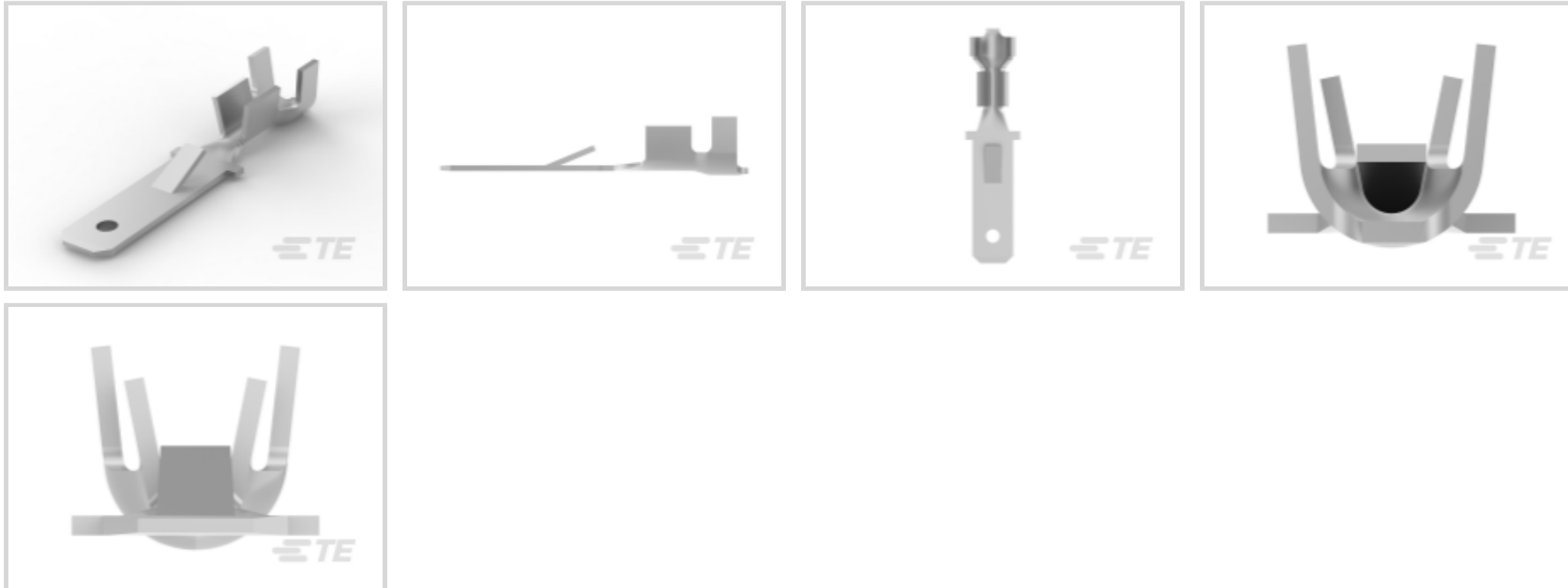
Quick Disconnect Tab, Uninsulated, 18 – 14 AWG, .82 – 2.08 mm<sup>2</sup>

Wire, 4.75 mm [.187 in] Tab Width, F-Crimp, Straight, Brass, FASTIN-FASTON 187

[View on TE.com >](#)



Terminals & Splices > Quick Disconnects



Quick Disconnect Terminal Type: **Tab**

Wire Size: **.82 – 2.08 mm<sup>2</sup>**

Mating Tab Width: **4.75 mm [.187 in]**

Mating Tab Thickness: **.51 mm [.02 in]**

## Features

### Product Type Features

Insertion Force	Normal
-----------------	--------

### Configuration Features

Compatible With Wire & Cable Type	Discrete Wire
Connection Capacity	Single

### Contact Features

Quick Disconnect Terminal Type	Tab
Mating Tab Width	4.75 mm [.187 in]
Mating Tab Thickness	.51 mm [.02 in]
Terminal Orientation	Straight
Contact Base Material	Brass
Terminal Plating Material	Tin
Crimp Type	F-Crimp
Barrel Type	Open

### Termination Features

--	--



Product Terminates To	Wire & Cable
-----------------------	--------------

### Mechanical Attachment

Wire Insulation Support	With
Mating Retention Type	Locking Lance

### Dimensions

Compatible Insulation Diameter Range	2.54 – 3.81 mm [.1 – .15 in]
Terminal Material Thickness	.51 mm [.02 in]
Wire Size	.82 – 2.08 mm <sup>2</sup>

### Usage Conditions

Insulation Option	Uninsulated
Operating Temperature Range	-40 – 110 °C [-40 – 230 °F]

### Packaging Features

Packaging Quantity	8000
Packaging Method	Strip/Reel

### Product Compliance

[For compliance documentation, visit the product page on TE.com>](#)

EU RoHS Directive 2011/65/EU	Compliant
EU ELV Directive 2000/53/EC	Compliant
China RoHS 2 Directive MIIT Order No 32, 2016	No Restricted Materials Above Threshold
EU REACH Regulation (EC) No. 1907/2006	Current ECHA Candidate List: JAN 2025 (247) Candidate List Declared Against: JAN 2025 (247) Does not contain REACH SVHC
Halogen Content	Low Halogen - Br, Cl, F, I < 900 ppm per homogenous material. Also BFR/CFR/PVC Free
Solder Process Capability	Not applicable for solder process capability

#### Product Compliance Disclaimer

This information is provided based on reasonable inquiry of our suppliers and represents our current actual knowledge based on the information they provided. This information is subject to change. The part numbers that TE has identified as EU RoHS compliant have a maximum concentration of 0.1% by weight in homogenous materials for lead, hexavalent chromium, mercury, PBB, PBDE, DBP, BBP, DEHP, DIBP, and 0.01% for cadmium, or qualify for an exemption to these limits as defined in the Annexes of Directive 2011/65/EU (RoHS2). Finished electrical and electronic equipment products will be CE marked as required by Directive 2011/65/EU. Components may not be CE marked. Additionally, the part numbers that TE has identified as EU ELV compliant have a maximum concentration of 0.1% by weight in homogenous materials for lead, hexavalent chromium, and mercury, and 0.01% for cadmium, or qualify for an exemption to these limits

as defined in the Annexes of Directive 2000/53/EC (ELV). Regarding the REACH Regulation, the information TE provides on SVHC in articles for this part number is based on the latest European Chemicals Agency (ECHA) 'Guidance on requirements for substances in articles' posted at this URL: <https://echa.europa.eu/guidance-documents/guidance-on-reach>

## Compatible Parts




TE Part # 63521-1  
FF 187 REC 20-16AWG TPBR



TE Part # 62443-1  
AMVAR FF 187 TAB 12-10AWG TPBR



**KIT**  
TE Part # 7-2150522-7  
OCEAN\_2.0\_SPARE\_PART\_KIT-100F1800



TE Part # 1969383-2  
FF 187&250 TAB HSG 9P NYLON NAT 100F1800




TE Part # 2150522-2  
OCEAN\_2.0\_Applicator-E-100F1800-SEA




TE Part # 62447-2  
AMVAR FF 187 TAB 22-16AWG TPBR


## Also in the Series | FASTIN-FASTON 187



Crimp Terminal Housings(5)

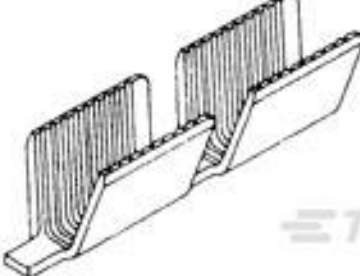


Insertion & Extraction Tools(1)



Quick Disconnects(20)

## Customers Also Bought



TE Part #62308-2  
AMVAR SPLC 3000-7000 020TPBR



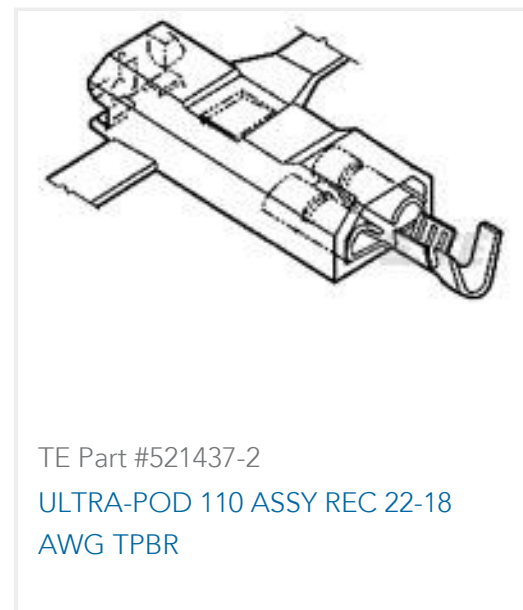
TE Part #62553-3  
FF 250 TAB 22-18AWG TPBR



TE Part #63854-2  
250 PL MKIII REC. 18-14AWG TPBR



TE Part #350415-1  
.093 COMM P&S SOK 14-20 PTPBR



## Documents

### Product Drawings

[FF 187 TAB 18-14AWG TPBR](#)

English

### CAD Files

[3D PDF](#)

3D

Customer View Model

[ENG\\_CVM\\_CVM\\_1742800-1\\_D\\_c-1742800-1-d.2d\\_dxf.zip](#)

English

Customer View Model

[ENG\\_CVM\\_CVM\\_1742800-1\\_D\\_c-1742800-1-d.3d\\_igs.zip](#)

English

Customer View Model

[ENG\\_CVM\\_CVM\\_1742800-1\\_D\\_c-1742800-1-d.3d\\_stp.zip](#)

English

By downloading the CAD file I accept and agree to the [Terms and Conditions](#) of use.

### Product Specifications

[FASTIN-FASTON CONN. .110 INCH, .187 INCH, .250 INCH, .375 INCH SRS.](#)

English

[Product Specification](#)

English