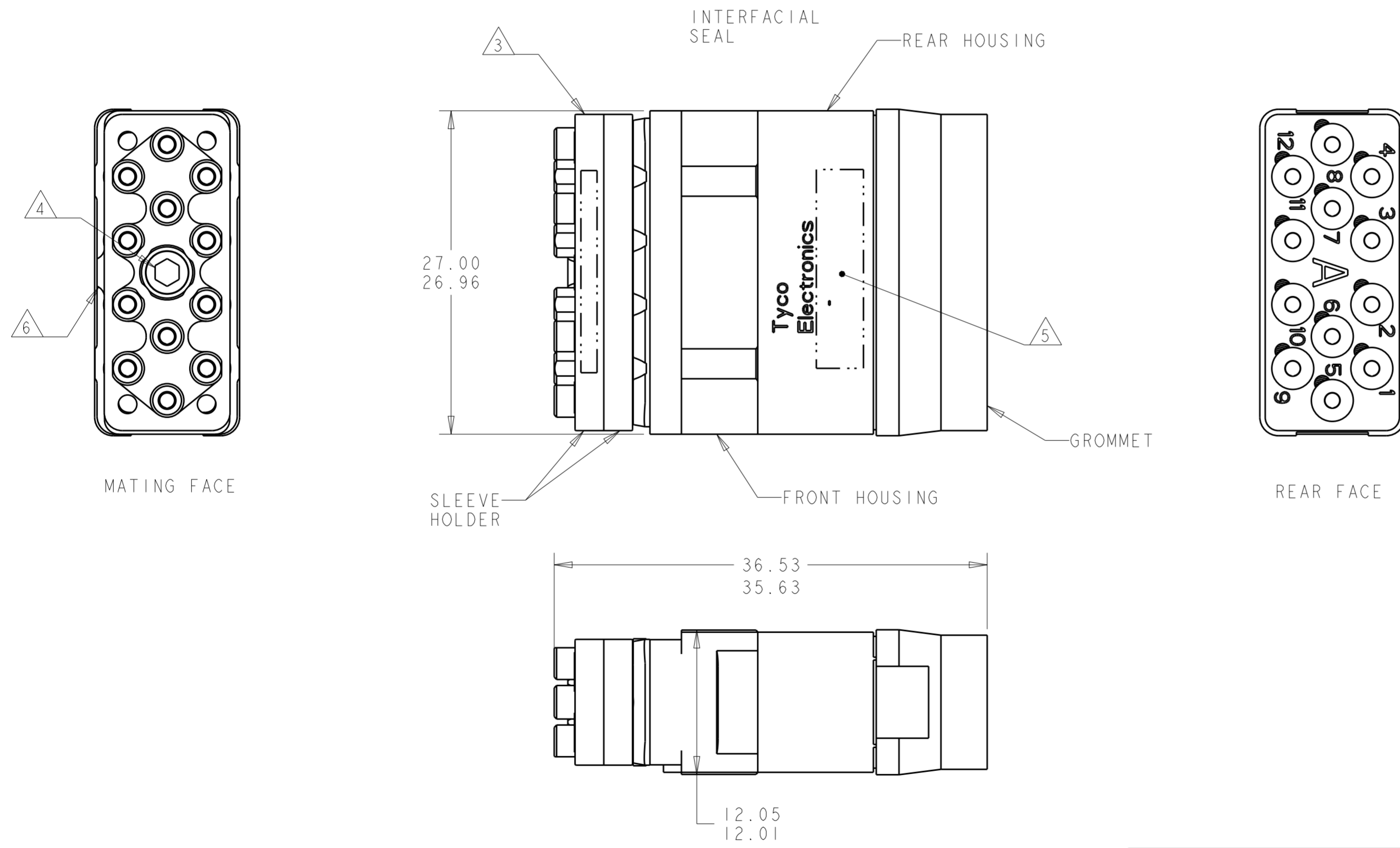


THIS DRAWING IS UNPUBLISHED. RELEASED FOR PUBLICATION  
 © COPYRIGHT BY ALL RIGHTS RESERVED.

LOC		DIST		REVISIONS			
P	LTR	DESCRIPTION	DATE	DWN	APVD		
	A	RELEASED PER ECO 11-024679	12-9-11	CT	RL		
	B	ECO-13-002800	22FEB2013	KG	KH		

- 1 FRONT HOUSING, REAR HOUSING, SLEEVE HOLDER: ALUMINUM ALLOY  
 TERMINI RETENTION CLIPS: COPPER ALLOY PER ASTM B194  
 SLEEVE HOLDER SCREW, HOUSING NUT, REAR RETAINING SCREW: STAINLESS STEEL PER AISI 303.  
 REAR GROMMET & INTERFACIAL SEAL: FLUOROSILICONE ELASTOMER PER MIL-R-25988B EXCEPT 4.6.6.1  
 SLEEVES: ZIRCONIA
  - 2 FRONT HOUSING, REAR HOUSING, SLEEVE HOLDER: CLEAR ANODIZED.
  - 3 THE SLEEVE HOLDER IS ALSO AVAILABLE SEPARATELY, TEC P/N 1811769-1.
  - 4 HEX KEY SLOT FOR 9/64 ALLEN WRENCH.
  - 5 TE PART NO. AND DATE CODE: YEAR & WEEK (YY WW)  
 THE PART NUMBER MAY BE LOCATED ON EITHER THE REAR HOUSING OR THE REAR GROMMET.
  - 6 KEYING FEATURE: SINGLE PROTRUSION FOR KEYING CODE A
7. THIS INSERT CONTAINS: 12 CAVITIES FOR SIZE 16 LuxCis® ML/MT (MONO-KEY) OR HL/HT (HEXAGONAL) OPTICAL CONTACTS.
8. THIS PRODUCT IS SOLD BY TE CONNECTIVITY UNDER A LICENSE FROM RADIALL SA.  
 LuxCis® IS A REGISTERED TRADEMARK OF RADIALL SA.



GPRBEF12SA	1738807-1
DESCRIPTIVE NUMBER	PART NUMBER

THIS DRAWING IS A CONTROLLED DOCUMENT. DIMENSIONING AND TOLERANCING PER ASME Y14.5M-2009		DWN C.C. THOMAS 12-9-11	TE Connectivity NAME INSERT ASSEMBLY, WITH SLEEVE HOLDER, ENVIRONMENTAL, F12, KEY A, GPRB SIZE A200779 CAGE CODE G-1738807 SCALE 3:1 SHEET 1 OF 1 REV B
DIMENSIONS: mm		CHK R. LEASE 12-9-11	
TOLERANCES UNLESS OTHERWISE SPECIFIED:		APVD R. LEASE 12-9-11	
0 PLC ± 1 PLC ±0.1 2 PLC ±0.13 3 PLC ± 4 PLC ± ANGLES ±° FINISH		PRODUCT SPEC -	
MATERIAL	1 -	2 -	APPLICATION SPEC -
Customer Drawing		WEIGHT -	RESTRICTED TO -