



Terminals & Splices > Quick Disconnects



Quick Disconnect Terminal Type: **Tab**

Wire Size: **.32 – .51 mm²**

Mating Tab Width: **6.35 mm [.25 in]**

Mating Tab Thickness: **.81 mm [.032 in]**

Features

Configuration Features

Compatible With Wire & Cable Type	Discrete Wire
Connection Capacity	Single

Contact Features

Quick Disconnect Terminal Type	Tab
Mating Tab Width	6.35 mm [.25 in]
Mating Tab Thickness	.81 mm [.032 in]
Terminal Orientation	Straight
Contact Base Material	Brass
Terminal Plating Material	Unplated
Crimp Type	F-Crimp
Barrel Type	Open

Termination Features

Product Terminates To	Wire & Cable
-----------------------	--------------

Mechanical Attachment

--	--



Wire Insulation Support	With
Mating Retention Type	Dimple

Dimensions

Product Length	26.4 mm[1.039 in]
Compatible Insulation Diameter Range	1.5 – 2.2 mm[.059 – .087 in]
Terminal Material Thickness	.4 mm[.015 in]
Wire Size	.32 – .51 mm ²

Usage Conditions

Insulation Option	Uninsulated
Operating Temperature Range	-40 – 110 °C[-40 – 230 °F]

Packaging Features

Packaging Quantity	6000
Packaging Method	Strip/Reel

Product Compliance

[For compliance documentation, visit the product page on TE.com>](#)

EU RoHS Directive 2011/65/EU	Compliant
EU ELV Directive 2000/53/EC	Compliant
China RoHS 2 Directive MIIT Order No 32, 2016	No Restricted Materials Above Threshold
EU REACH Regulation (EC) No. 1907/2006	Current ECHA Candidate List: JAN 2025 (247) Candidate List Declared Against: JAN 2025 (247) Does not contain REACH SVHC
Halogen Content	Low Halogen - Br, Cl, F, I < 900 ppm per homogenous material. Also BFR/CFR/PVC Free
Solder Process Capability	Not applicable for solder process capability

Product Compliance Disclaimer

This information is provided based on reasonable inquiry of our suppliers and represents our current actual knowledge based on the information they provided. This information is subject to change. The part numbers that TE has identified as EU RoHS compliant have a maximum concentration of 0.1% by weight in homogenous materials for lead, hexavalent chromium, mercury, PBB, PBDE, DBP, BBP, DEHP, DIBP, and 0.01% for cadmium, or qualify for an exemption to these limits as defined in the Annexes of Directive 2011/65/EU (RoHS2). Finished electrical and electronic equipment products will be CE marked as required by Directive 2011/65/EU. Components may not be CE marked. Additionally, the part numbers that TE has identified as EU ELV compliant have a maximum concentration of 0.1% by weight in homogenous materials for lead, hexavalent chromium, and mercury, and 0.01% for cadmium, or qualify for an exemption to these limits as defined in the Annexes of Directive 2000/53/EC (ELV). Regarding the REACH Regulation, the information TE provides on SVHC in articles for this part number is based on the latest European Chemicals Agency (ECHA) 'Guidance on

requirements for substances in articles' posted at this URL: <https://echa.europa.eu/guidance-documents/guidance-on-reach>

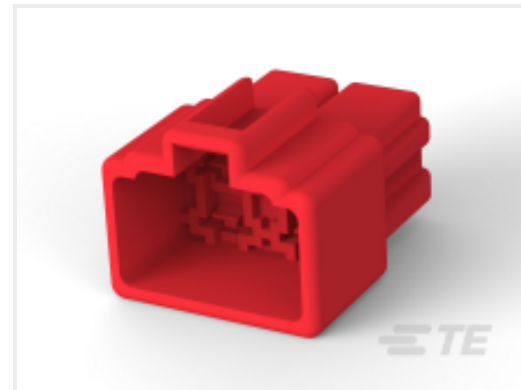
Compatible Parts



TE Part # 171445-1
FF 250 TAB HSG 14P ASSY CONN



TE Part # 178025-2
FF 250 CAP HSG DBL 6P BLACK



TE Part # 172133-9
FF 250 REC HSG 4P NYLON RED



TE Part # 2150978-2
OCEAN-2.0-APPLICATOR-E-070F120O-REA



TE Part # 1-880298-0
FASTON .250 SERIES (6.3 MM) HOUSING



TE Part # 7-2150978-7
OCEAN_2.0_SPARE_PART_KIT-070F120O



TE Part # 172383-2
FF 250 REC HSG 2P NYLON BLC AK P /M



TE Part # 880638-1
FF 110 TAB 1.0-2.5 MM2 0.40 X 14.1 BR



TE Part # 171190-5
FF 250 TAB HSG 6P NYLON RED



TE Part # 172384-2
3P CAP HSG



TE Part # 171897-2
FF 250 REC HSG 6P NYLON BLC AK



TE Part # 172133-1
FF 250 CAP HSG 4P NYLON NAT



TE Part # 172133-4
FF 250 REC HSG 4P NYLON GREEN



TE Part # 480116-3
FF 250 TAB HSG 2P NYLON BLACK



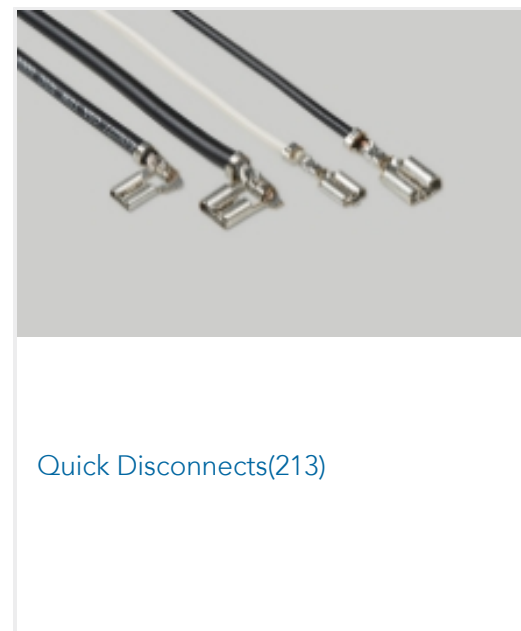
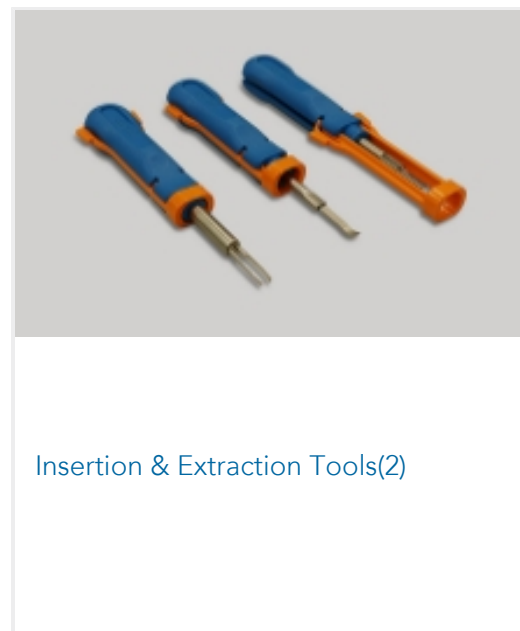
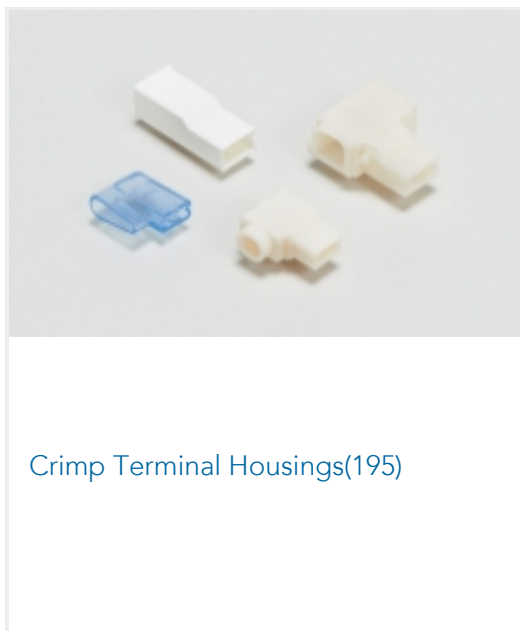
TE Part # 926097-1
FF 250 TAB HSG 3P NYLON NAT



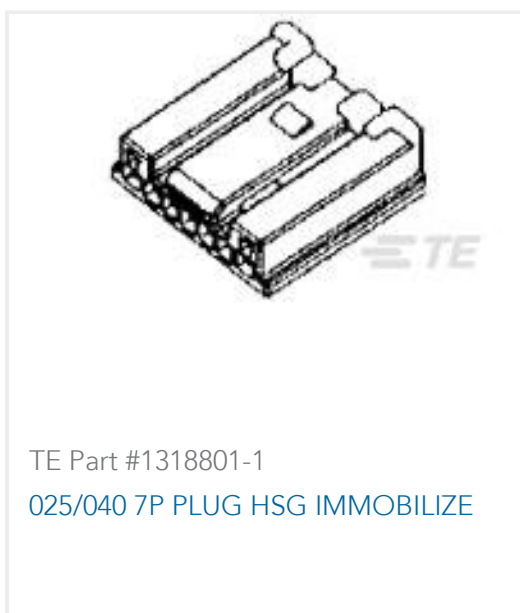
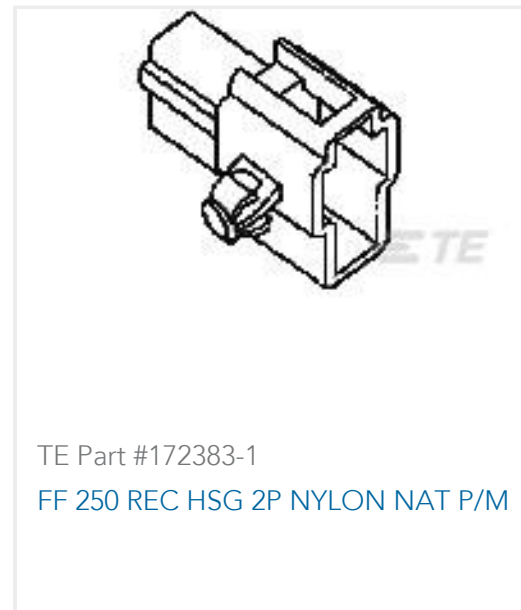
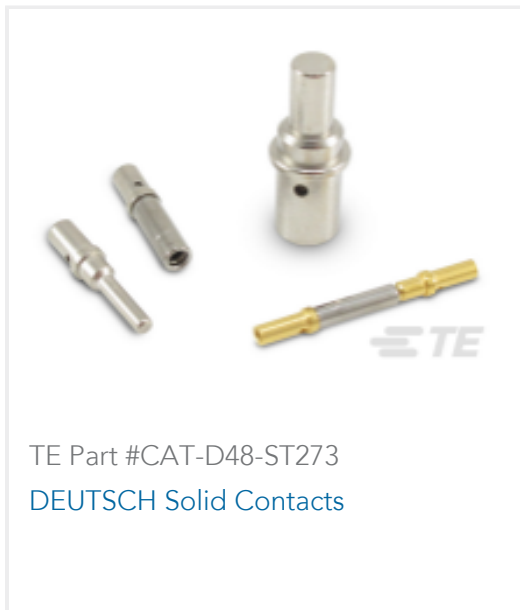
TE Part # 480053-5
FF 250 TAB HSG 1P NYLON RED



Also in the Series | **FASTIN-FASTON 250**



Customers Also Bought





Documents

Product Drawings

FF 250 TAB 22-20AWG BR WITHOUT LATCH

Japanese

CAD Files

3D PDF

3D

Customer View Model

[ENG_CVM_CVM_170349-1_D.2d_dxf.zip](#)

English

Customer View Model

[ENG_CVM_CVM_170349-1_D.3d_igs.zip](#)

English

Customer View Model

[ENG_CVM_CVM_170349-1_D.3d_stp.zip](#)

English

By downloading the CAD file I accept and agree to the [Terms and Conditions](#) of use.

Product Specifications

Application Specification

Japanese

Crimping of 250 Series Tab and Receptacle Contacts

Japanese

Crimping of 250 Series Tab and Receptacle Contacts

Japanese

Application Specification

Japanese

Instruction Sheets

"250" Series, Housing Lance Connector

Japanese

"250" Series, Housing Lance Connector

Japanese