

170011-2 ✓ ACTIVE

TE Internal #: 170011-2

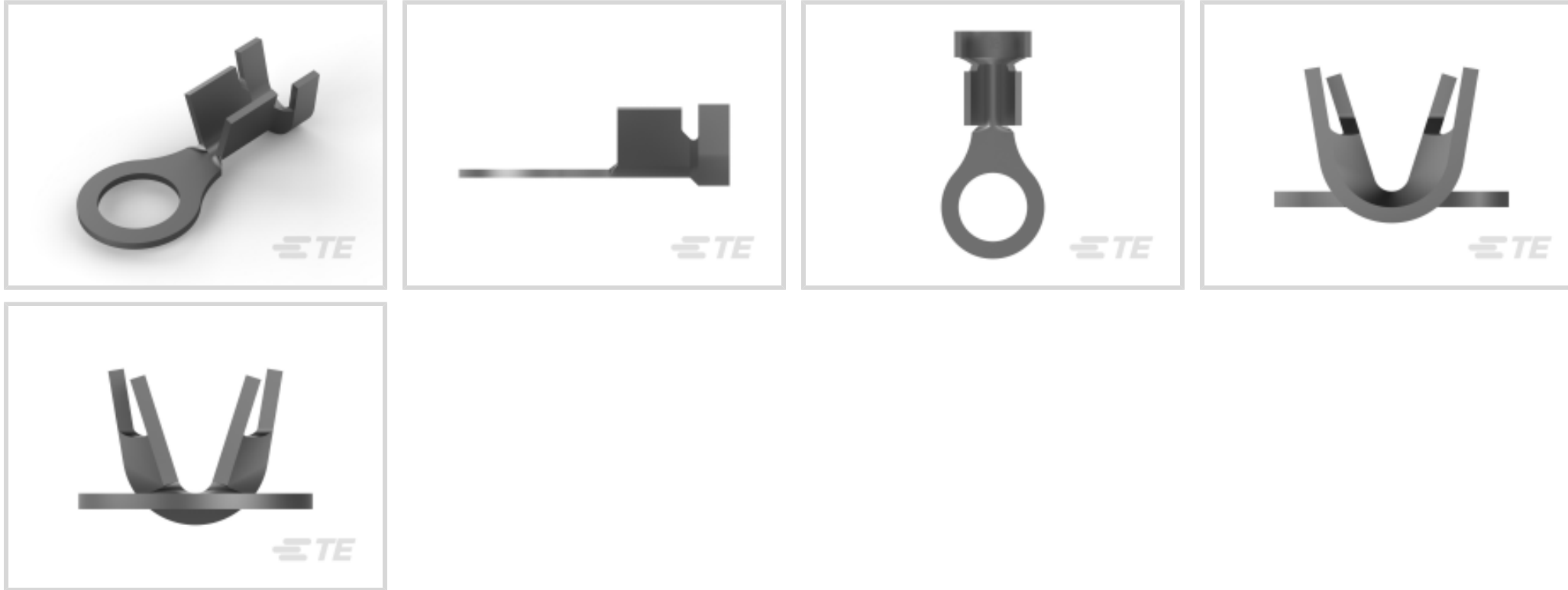
Ring Terminals & Spade Terminals, Ring Tongue, 18 – 14 AWG

Wire Size, .8 – 2 mm² Wire Size, 2050 – 5180 CMA Wire Size, Stud Size #10

[View on TE.com >](#)



Terminals & Splices > Ring Terminals & Spade Terminals



Ring & Spade Terminal Type: **Ring Tongue**

Wire Size: **2050 – 5180 CMA**

Stud Size: **#10**

Features

Product Type Features

Shape Description	Circular/Oval
Stud Size	#10
Sealable	No
Compatible With Discrete Wire Type	Stranded
Wire Insulation Support Retention Type	Insulation Support

Configuration Features

Number of Holes	1
Terminal Angle	180 °

Body Features

Inspection Slot	No
-----------------	----

Contact Features

Contact Base Material	Brass
Ring & Spade Terminal Type	Ring Tongue
Barrel Type	Open
Terminal Orientation	Straight
Terminal Plating Material	Tin



Contact Underplating Material	None
-------------------------------	------

Mechanical Attachment

Wire Insulation Support	With
-------------------------	------

Dimensions

	.122 in
Wire Size	2050 – 5180 CMA
Stud Diameter	5 mm[.197 in]
Tongue Thickness	.51 mm[.02 in]
Overall Product Length	16.76 mm[.66 in]
Barrel Inside Diameter	1.14 mm, 3.68 mm[.045 in][.144 in]
Accepts Insulation Diameter (Max)	4.29 mm[.169 in]
Accepts Insulation Diameter Range	3.1 – 4.3 mm[.122 – .169 in]

Usage Conditions

Insulation Option	Uninsulated
Operating Temperature Range	-40 – 110 °C[-40 – 230 °F]

Operation/Application

Compatible With Wire Base Material	Copper
Heavy Duty	No

Industry Standards

Government Qualified	No
----------------------	----

Packaging Features

Packaging Quantity	6000
Packaging Method	Strip/Reel

Product Compliance

[For compliance documentation, visit the product page on TE.com>](#)

EU RoHS Directive 2011/65/EU	Compliant
EU ELV Directive 2000/53/EC	Compliant
China RoHS 2 Directive MIIT Order No 32, 2016	No Restricted Materials Above Threshold
EU REACH Regulation (EC) No. 1907/2006	Current ECHA Candidate List: JAN 2023 (233) Candidate List Declared Against: JAN 2023 (233)



Does not contain REACH SVHC

Halogen Content

Low Halogen - Br, Cl, F, I < 900 ppm per homogenous material. Also BFR/CFR/PVC Free

Solder Process Capability

Not applicable for solder process capability

Product Compliance Disclaimer

This information is provided based on reasonable inquiry of our suppliers and represents our current actual knowledge based on the information they provided. This information is subject to change. The part numbers that TE has identified as EU RoHS compliant have a maximum concentration of 0.1% by weight in homogenous materials for lead, hexavalent chromium, mercury, PBB, PBDE, DBP, BBP, DEHP, DIBP, and 0.01% for cadmium, or qualify for an exemption to these limits as defined in the Annexes of Directive 2011/65/EU (RoHS2). Finished electrical and electronic equipment products will be CE marked as required by Directive 2011/65/EU. Components may not be CE marked. Additionally, the part numbers that TE has identified as EU ELV compliant have a maximum concentration of 0.1% by weight in homogenous materials for lead, hexavalent chromium, and mercury, and 0.01% for cadmium, or qualify for an exemption to these limits as defined in the Annexes of Directive 2000/53/EC (ELV). Regarding the REACH Regulation, the information TE provides on SVHC in articles for this part number is based on the latest European Chemicals Agency (ECHA) 'Guidance on requirements for substances in articles' posted at this URL: <https://echa.europa.eu/guidance-documents/guidance-on-reach>

Compatible Parts



TE Part # 170011-8
RING STRIP 18-14 MM2 0.503 X 11.938 TPBR



TE Part # 41333
RING 18-14 AWG TPBR



TE Part # 155406-5
TONGUE,RING OPEN BARREL 18-14 AWG BR



TE Part # 440456-1
RING TERMINAL, TPBR



TE Part # 190225-2
RING I/S PRE TIN BRASS



TE Part # 170011-1
RING STRIP 18-14 MM2 0.503 X 11.938 BR



TE Part # 170011-3
RING TERMINAL STRIP .165DIA BR

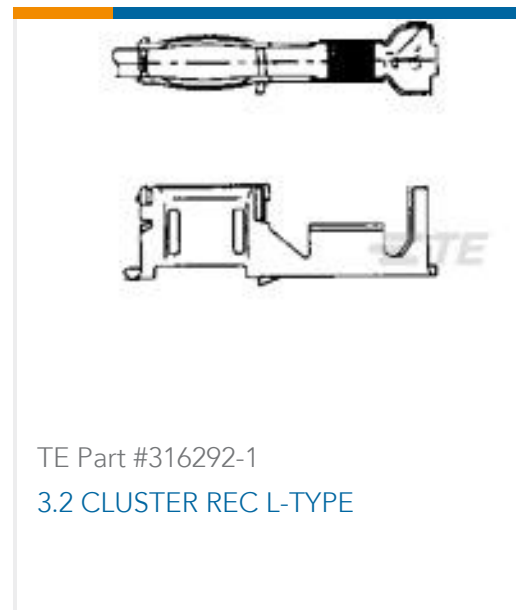
Customers Also Bought



TE Part #170011-8
RING STRIP 18-14 MM2 0.503 X 11.938
TPBR



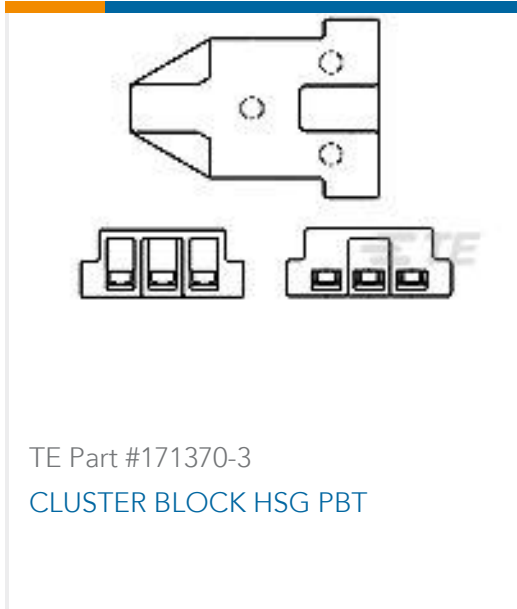
TE Part #170037-2
187 FASTON, REC., 20-16 AWG, TPBR



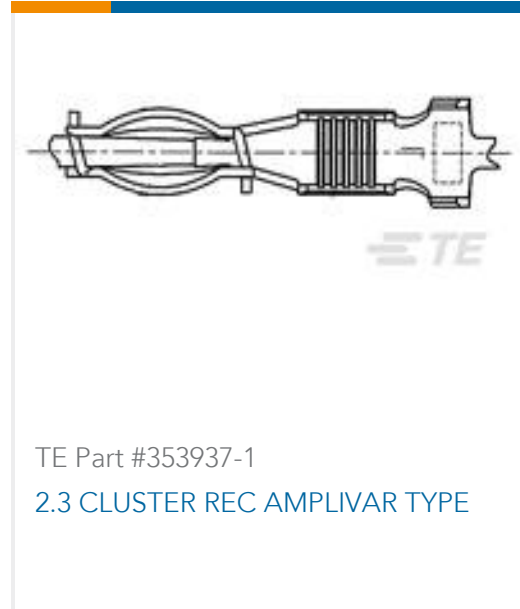
TE Part #316292-1
3.2 CLUSTER REC L-TYPE



TE Part #170213-2
250 FASTON, REC., 18-14 AWG, TPBR



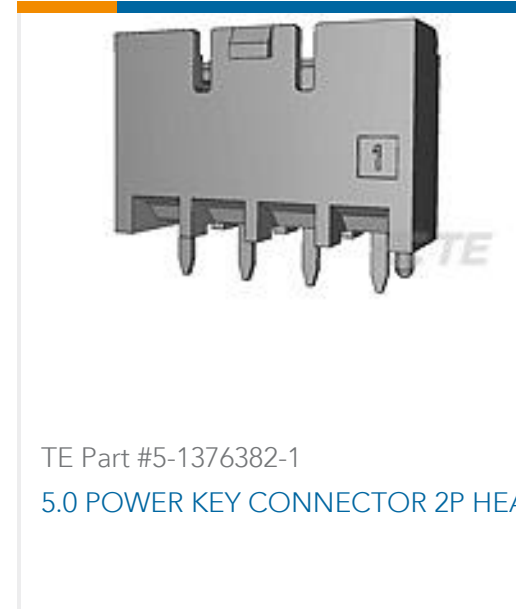
TE Part #171370-3
CLUSTER BLOCK HSG PBT



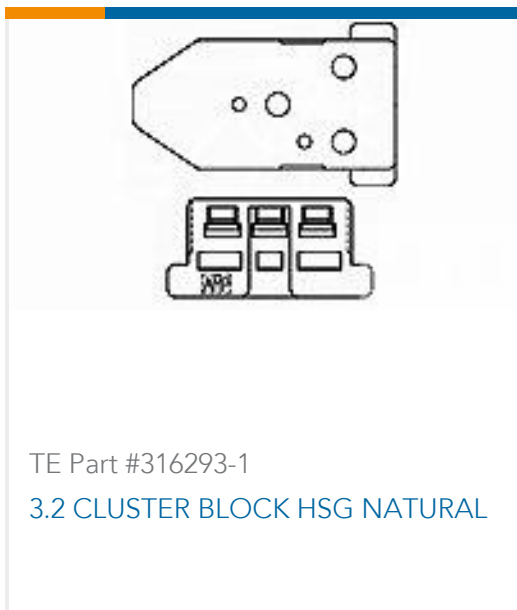
TE Part #353937-1
2.3 CLUSTER REC AMPLIVAR TYPE



TE Part #179938-1
AMP POWER DBL LOCK PLUG HSG 3P



TE Part #5-1376382-1
5.0 POWER KEY CONNECTOR 2P HEA



TE Part #316293-1
3.2 CLUSTER BLOCK HSG NATURAL



TE Part #1123655-1
2.3 DIA CLUSTER AMPLIVER S TIN

Documents

Product Drawings

[RING STRIP 18-14 MM2 0.503 X 11.938 TPBR](#)

English

CAD Files

[3D PDF](#)

3D

Customer View Model

[ENG_CVM_CVM_170011-2_R.2d_dxf.zip](#)

English

Customer View Model

[ENG_CVM_CVM_170011-2_R.3d_igs.zip](#)

English

Customer View Model

[ENG_CVM_CVM_170011-2_R.3d_stp.zip](#)

English

By downloading the CAD file I accept and agree to the [Terms and Conditions](#) of use.

Product Specifications



Application Specification

English

Product Environmental Compliance

[MD_170011-2_06212018539_dmtec](#)

English

[MD_170011-2_06212018539_dmtec](#)

English

Agency Approvals

[Agency Approval Document](#)

English