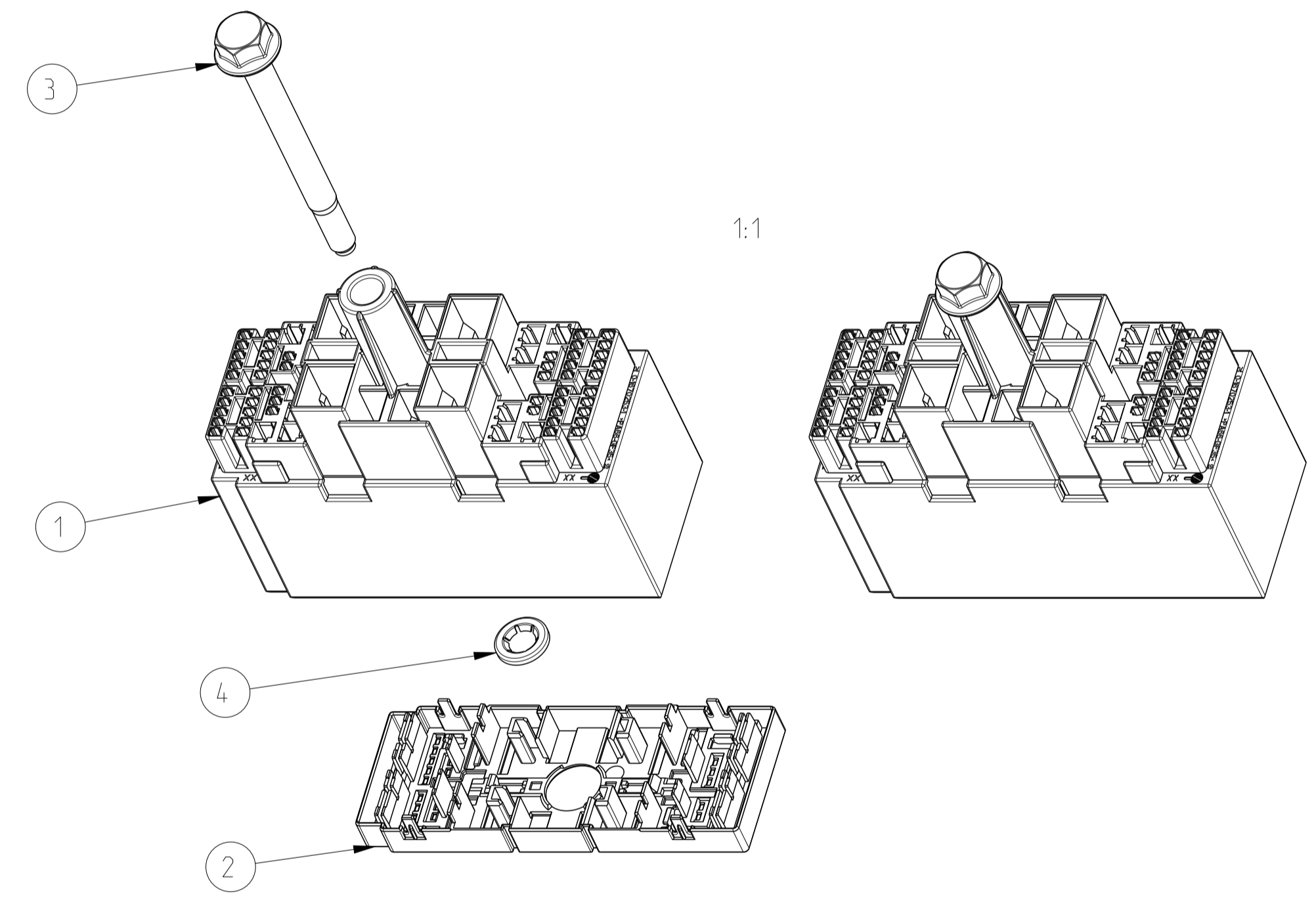
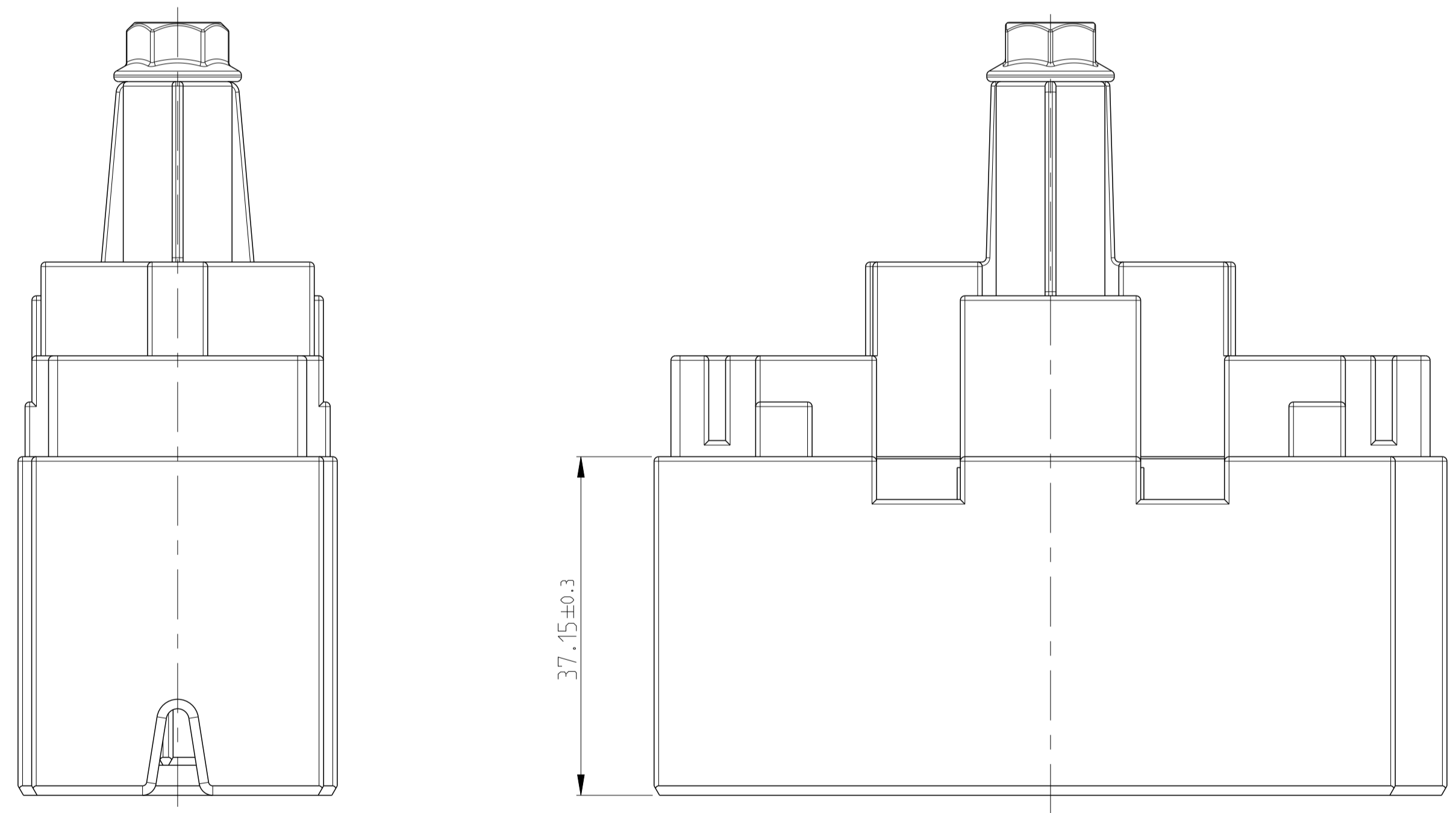
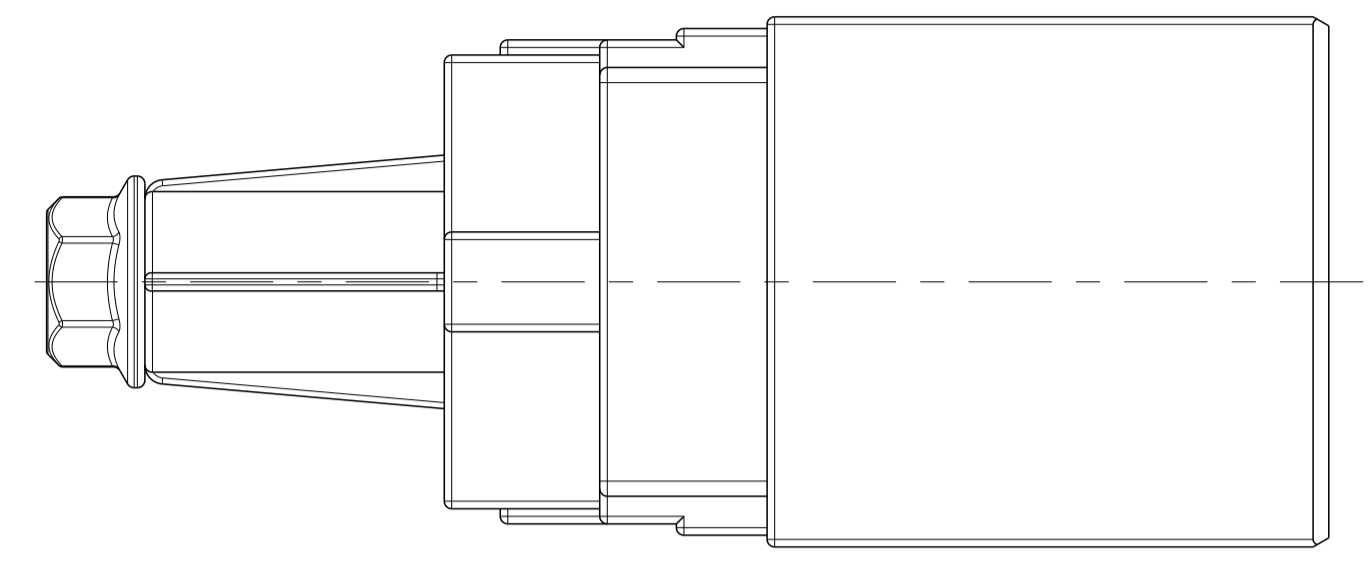
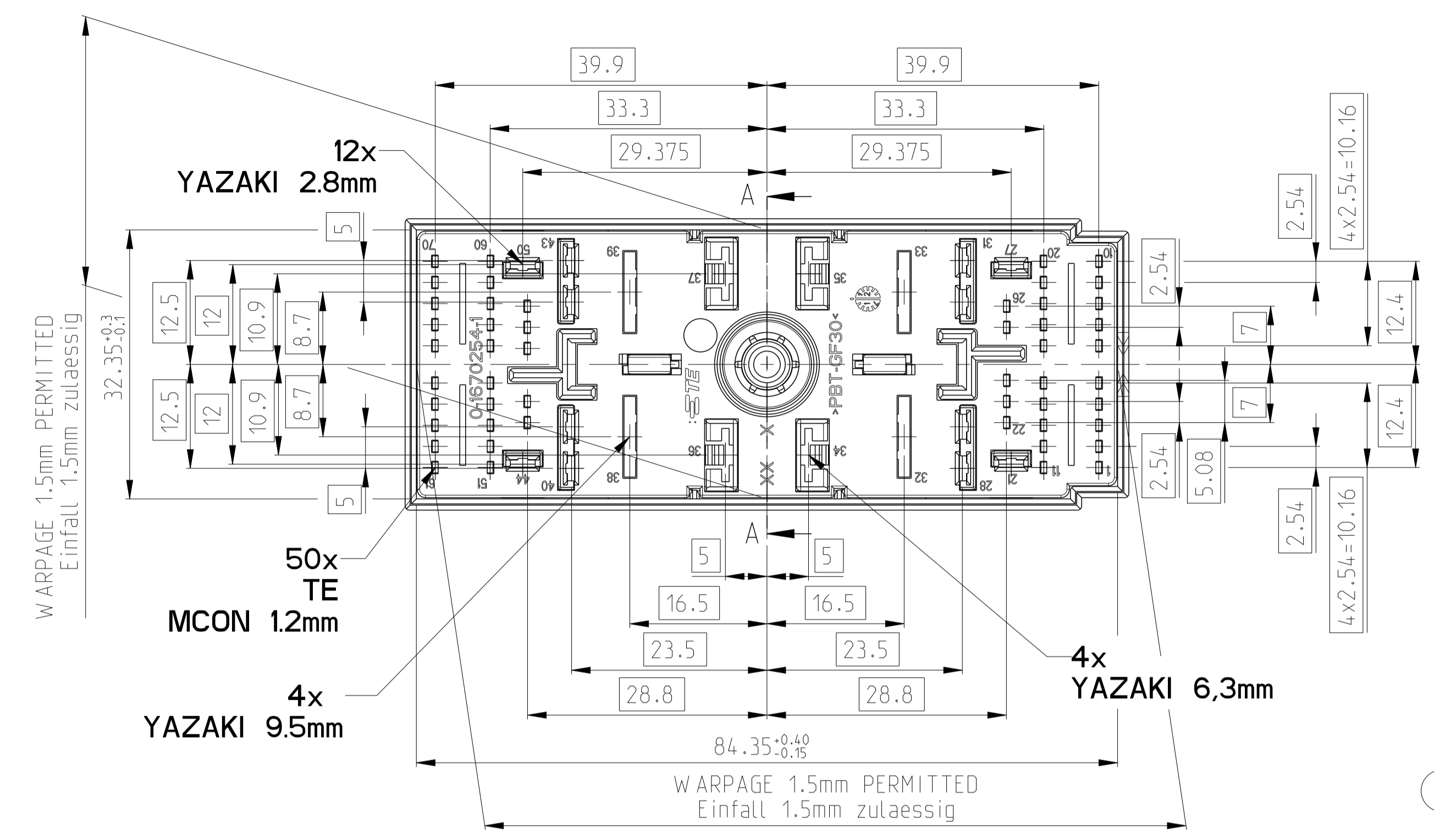
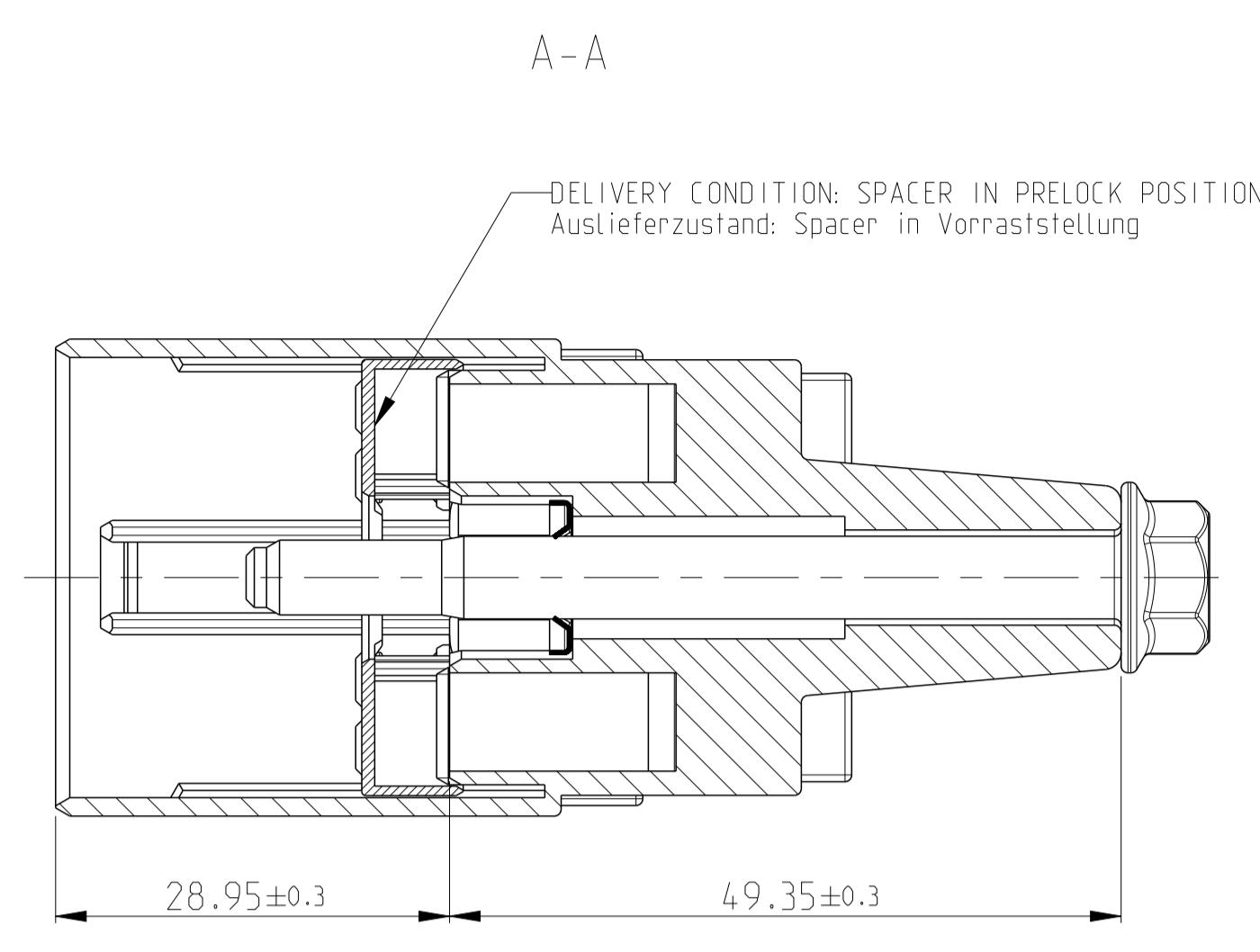
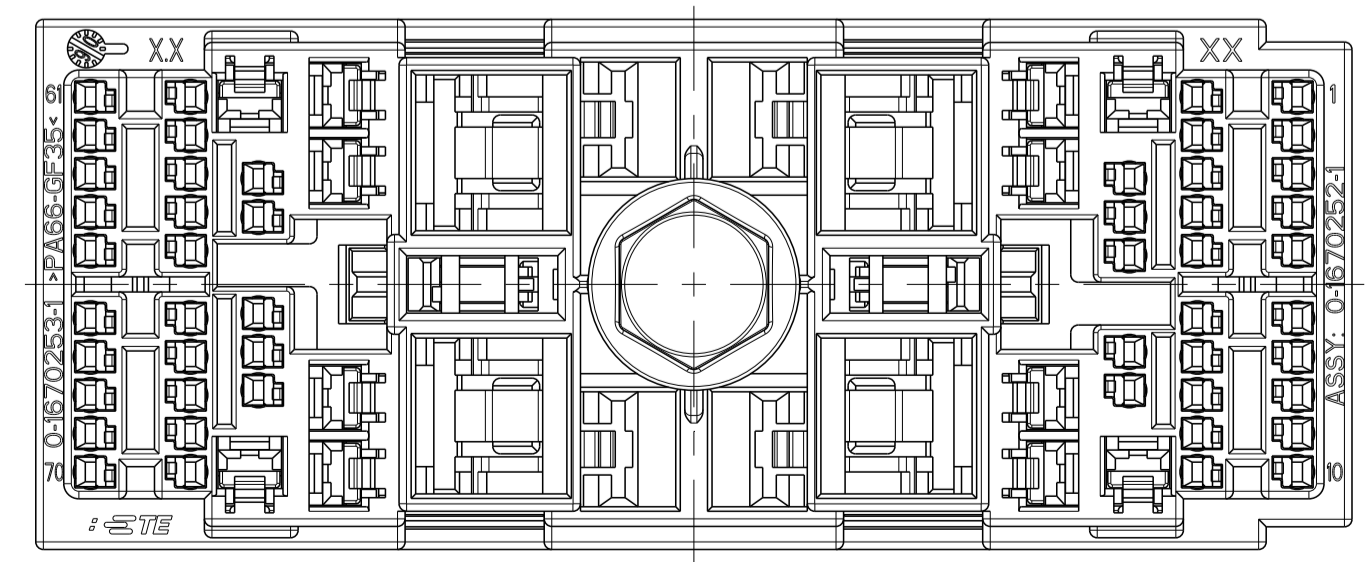


LOC		DIST		REVISIONS			
A1		-		REV	DATE	BY	APPV
A4	ECR-10-001204				19JAN2010	GS	KR
A5	ECR-11-022880				20JUN2012	SH	KR
A6	ECR-15-014831				09OCT2015	GP	KR



EXPLODED VIEW  
 Explodierte Ansicht

NOTES:  
 Bemerkungen:  
 1 TORQUEMOMENT FULLY POPULATED WITH TIN TERMINALS: 2.5Nm +/- 0.4Nm  
 Drehmoment beim Schliessen der Kupplung mit verzinneten Kontakten bei Komplettbestueckung: 2.5Nm +/- 0.4Nm



MATED WITH / verwendet mit	0-1670249-1				
1x	STEEL	NUT	-	-	4
1x	STEEL	BOLT	-	-	3
1x	PBT-GF30	70 POS. MIXED TAB.HSG. SPACER	RED	-	2
1x	PA66-GF35	70 POS. MIXED TAB.HOUSING	BLACK	-	1
0-1670252-1	MATERIAL	DESCRIPTION	COLOR	ITEM NO	
85.40g	ASSY NO	WEIGHT OF EACH ASSY NO (g)			
QTY REQD PER ASSY		PARTS LIST			

THIS DRAWING IS A CONTROLLED DOCUMENT.		OWN: G.PUCKEL 100CT2006	TE Connectivity
DIMENSIONS: mm		CHK: K.ROTH 100CT2006	
TOLERANCES UNLESS OTHERWISE SPECIFIED:		APPV: G.MUMPER 100CT2006	NAME: 70POS. MIXED TAB HOUSING ASSY
0 PLC	±0.50	PRODUCT SPEC	SIZE: CAGE CODE: DRAWING NO: RESTRICTED TO
1 PLC	±0.30	APPLICATION SPEC	A1 00779 C=1670252
2 PLC	±0.30	WEIGHT	SCALE: 2:1 SHEET 1 OF 1 REV: A6
3 PLC	±	Customer Drawing	
4 PLC	±		
ANGLES	±		
FINISH	±		

-1 AS SHOWN wie gezeichnet