

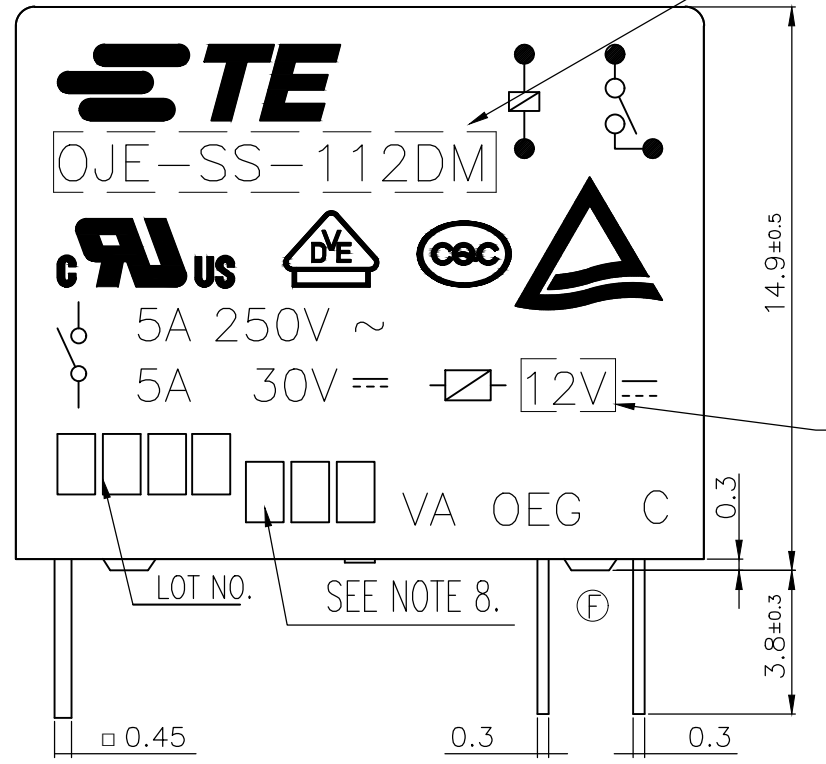
THIS DRAWING IS UNPUBLISHED. RELEASED FOR PUBLICATION  
 © COPYRIGHT - By - ALL RIGHTS RESERVED.

REVISIONS					
P	LTR	DESCRIPTION	DATE	DWN	APVD
F2		ADD NEW PN ECO-18-008228	25-May-18	WQ.Y	K.T
F3		ADD NEW PN ECO-19-001188	24-Jan-19	WQ.Y	K.T

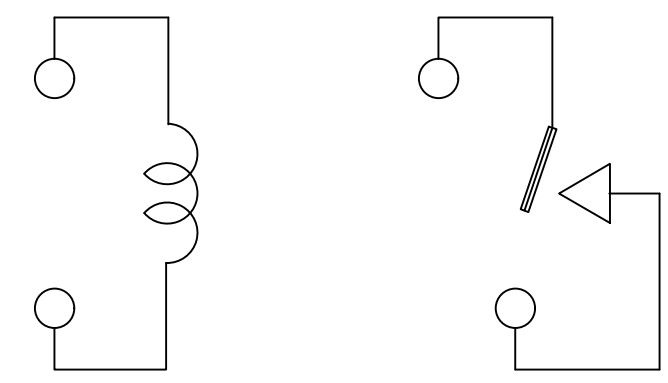
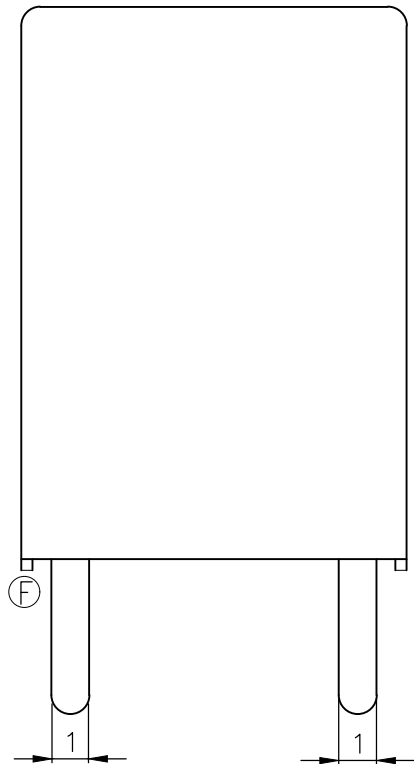
FIG A



PART A



PART B



CONNECTION FIGURE

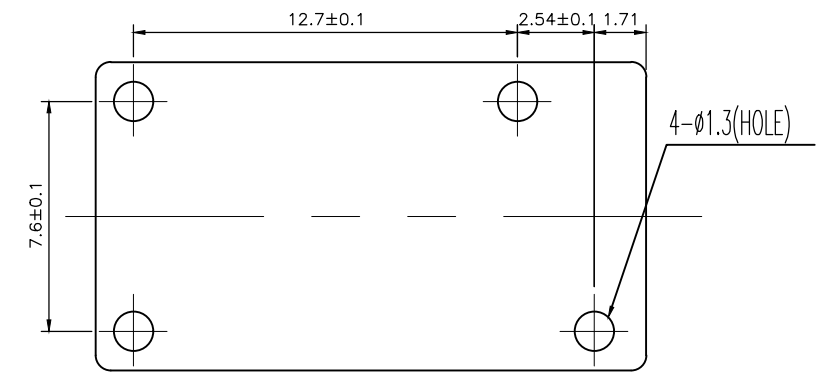


FIGURE FOR PRINTED CIRCUIT BOARD PROCESSING (BOTTOM VIEW)

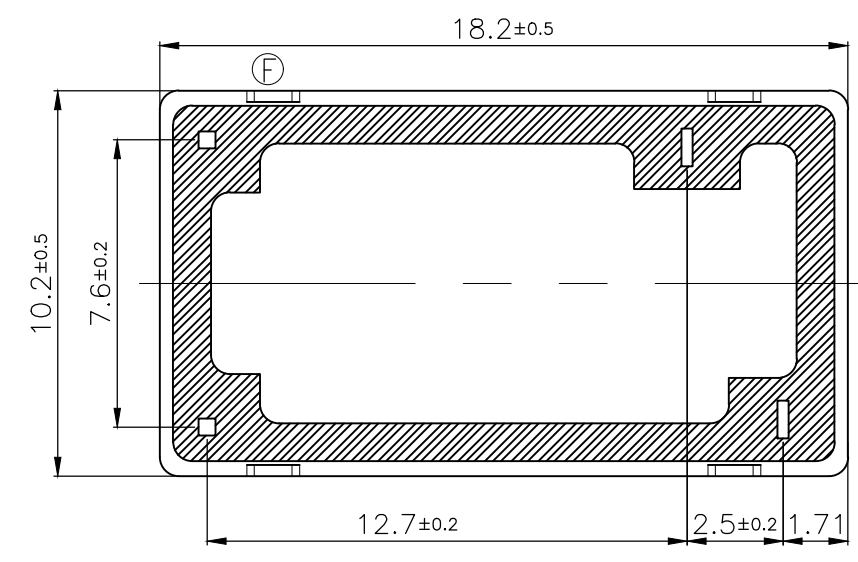


Diagram dimension	Tolerance
0.99mm max.	±0.1mm
1 - 2.99mm	±0.2mm
3mm min.	±0.3mm

THIS DRAWING IS A CONTROLLED DOCUMENT.		DWN Huang, Yunshou	<b>STE</b> TE Connectivity		
		CHK Fu.Bo			
DIMENSIONS: mm		APVD Zhang, Sunny	NAME		
TOLERANCES UNLESS OTHERWISE SPECIFIED:		PRODUCT SPEC	OJE-DM VA TYPE CUSTOMER DRAWING		
0 PLC ± -		APPLICATION SPEC	-		
1 PLC ± -			SIZE	CAGE CODE	DRAWING NO
2 PLC ± -			A3	00779	C-1649222
3 PLC ± -			RESTRICTED TO		
4 PLC ± -			-		
ANGLES ± -			SCALE 5:1 SHEET 1 OF 3 REV F3		
FINISH		WEIGHT	CUSTOMER DRAWING		
-		-			

THIS DRAWING IS UNPUBLISHED.

RELEASED FOR PUBLICATION

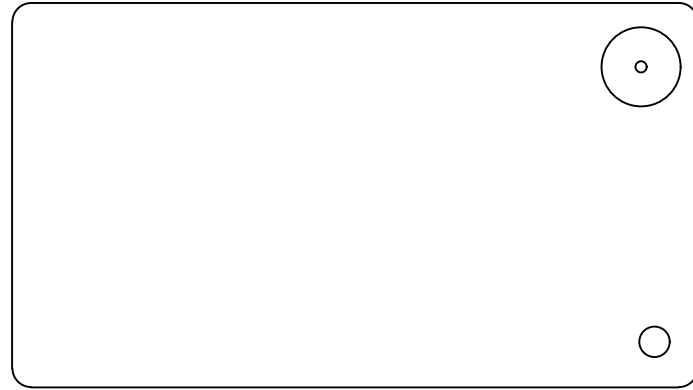
© COPYRIGHT - By -

ALL RIGHTS RESERVED.

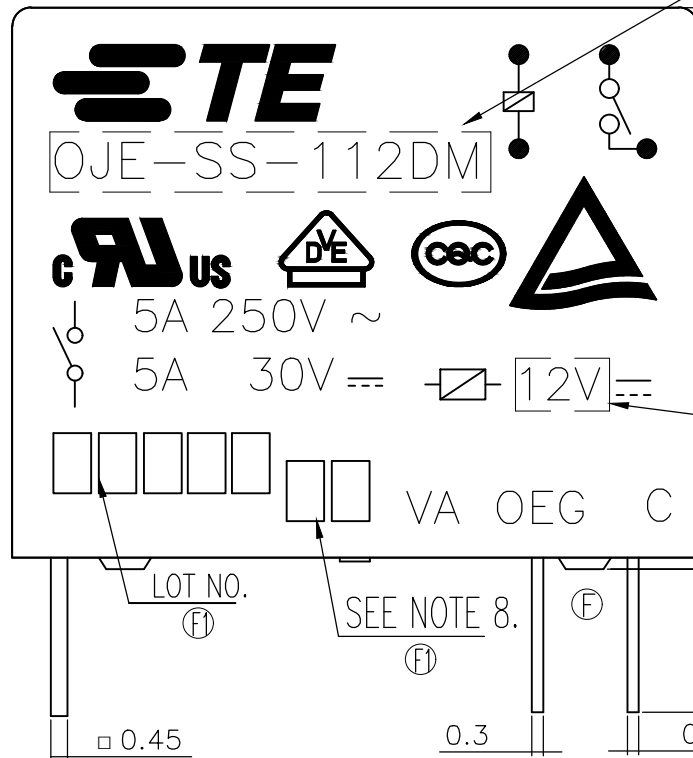
REVISIONS

P	LTR	DESCRIPTION	DATE	DWN	APVD
-	-	SEE SHEET 1	-	-	-

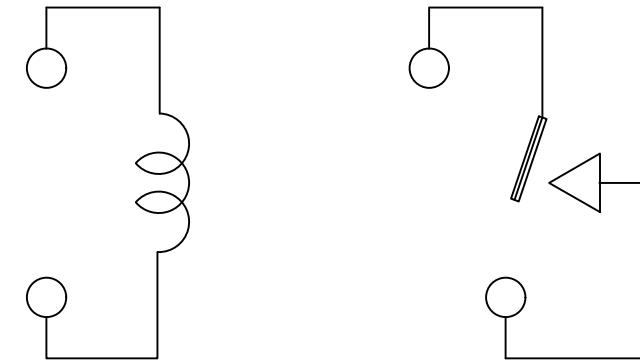
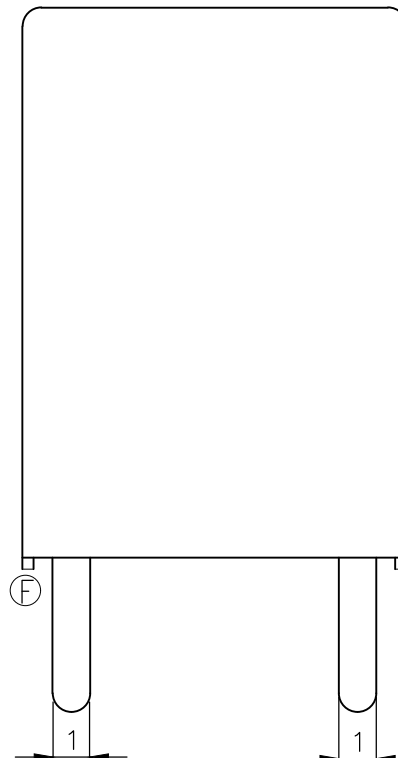
FIG B



PART A



PART B



CONNECTION FIGURE

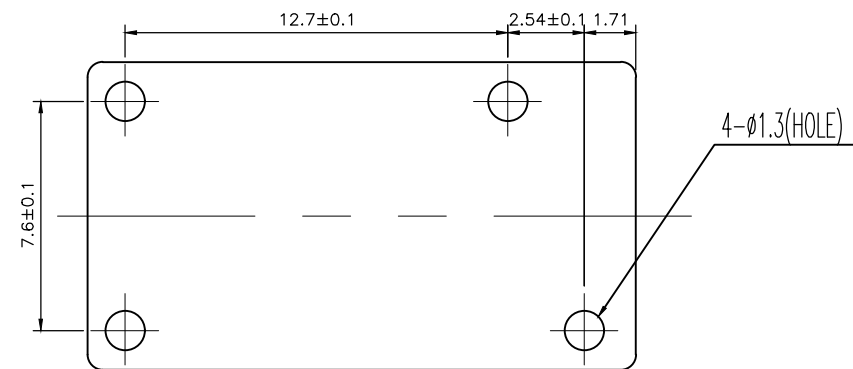
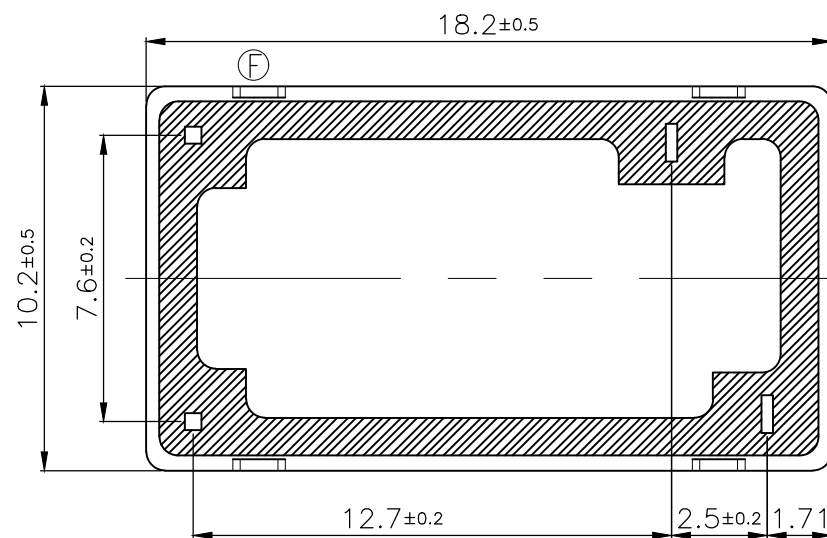


FIGURE FOR PRINTED CIRCUIT BOARD PROCESSING (BOTTOM VIEW)

Diagram dimension	Tolerance
0.99mm max.	±0.1mm
1 - 2.99mm	±0.2mm
3mm min.	±0.3mm



THIS DRAWING IS A CONTROLLED DOCUMENT.		DWN Huang.Yunshou	<b>STE</b> TE Connectivity		
DIMENSIONS: mm		CHK Fu.Bo			
TOLERANCES UNLESS OTHERWISE SPECIFIED:		APVD Zhang.Sunny	NAME		
0 PLC ± -		PRODUCT SPEC	OJE-DM VA TYPE CUSTOMER DRAWING		
1 PLC ± -		APPLICATION SPEC	SIZE	CAGE CODE	DRAWING NO
2 PLC ± -		WEIGHT	A3	00779	C-1649222
3 PLC ± -		CUSTOMER DRAWING	RESTRICTED TO		-
4 PLC ± -			SCALE	SHEET	REV
ANGLES ± -			5:1	2 of 3	F3
FINISH					