

1612121-5 ✓ ACTIVE

AMP | AMP Auto Squib Products

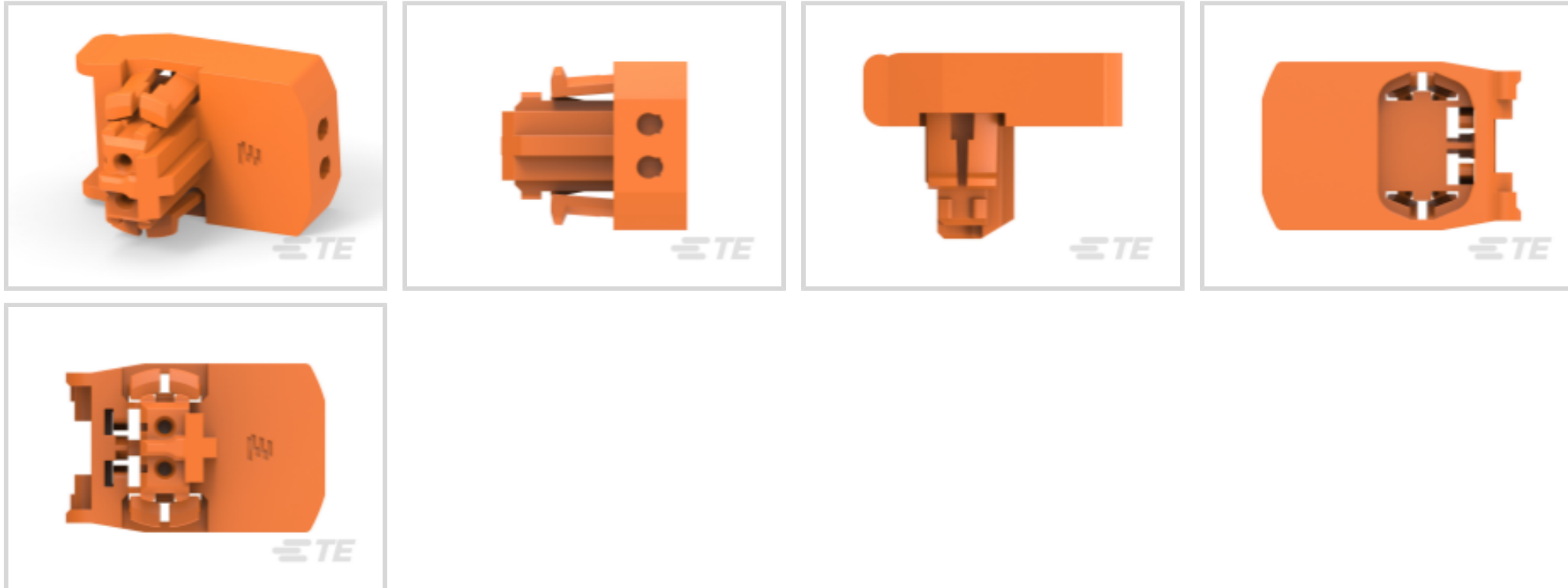
TE Internal #: 1612121-5

2 Position Housing, Housing for Female Terminals, Wire-to-Board / Wire-to-Device, 3.1 mm [.12 in] Centerline, Orange, AMP Auto Squib Products

[View on TE.com >](#)



Automotive Parts > Automotive Connectors > Automotive Housings



Connector & Housing Type: **Housing for Female Terminals**

Number of Positions: **2**

Sealable: **No**

Operating Temperature Range: **-30 – 80 °C [-22 – 176 °F]**

Number of Rows: **1**

Features

Product Type Features

Mixed & Hybrid Connector	No
Connector Shape	Rectangular
Connector & Housing Type	Housing for Female Terminals
Sealable	No
Primary Locking Feature	Integrated in Housing
Connector System	Wire-to-Board, Wire-to-Device
Connector & Contact Terminates To	Wire & Cable

Configuration Features

Number of Positions	2
Number of Rows	1

Electrical Characteristics

Nominal Voltage Architecture	12 V
------------------------------	------

Body Features

Cable Exit Angle	90°
------------------	-----



Primary Product Color	Orange
Connector & Keying Code	C

Contact Features

Contact Size	1mm
Contact Type	Socket
Mating Pin Diameter	1 mm [.04 in]

Mechanical Attachment

Strain Relief	Without
Terminal Position Assurance	Yes
Mating Alignment Type	Keyed
Mating Alignment	With
Connector Mounting Type	Cable Mount (Free-Hanging)

Housing Features

Housing Material	PBT
Centerline (Pitch)	3.1 mm [.12 in]

Dimensions

Product Width	12.6 mm [.496 in]
Product Length	19.4 mm [.764 in]
Connector Height	13.8 mm [.54 in]

Usage Conditions

Operating Temperature Range	-30 – 80 °C [-22 – 176 °F]
Operating Temperature (Max)	80 °C [176 °F]

Operation/Application

Circuit Application	Signal
---------------------	--------

Packaging Features

Packaging Method	Bag
Packaging Quantity	100

Other

Serviceable	Yes
Connector Position Assurance Capable	No



Product Compliance

[For compliance documentation, visit the product page on TE.com>](#)

EU RoHS Directive 2011/65/EU	Compliant
EU ELV Directive 2000/53/EC	Compliant
China RoHS 2 Directive MIIT Order No 32, 2016	No Restricted Materials Above Threshold
EU REACH Regulation (EC) No. 1907/2006	Current ECHA Candidate List: JAN 2025 (247) Candidate List Declared Against: JAN 2025 (247) Does not contain REACH SVHC
Halogen Content	Low Halogen - Br, Cl, F, I < 900 ppm per homogenous material. Also BFR/CFR/PVC Free
Solder Process Capability	Not applicable for solder process capability

Product Compliance Disclaimer

This information is provided based on reasonable inquiry of our suppliers and represents our current actual knowledge based on the information they provided. This information is subject to change. The part numbers that TE has identified as EU RoHS compliant have a maximum concentration of 0.1% by weight in homogenous materials for lead, hexavalent chromium, mercury, PBB, PBDE, DBP, BBP, DEHP, DIBP, and 0.01% for cadmium, or qualify for an exemption to these limits as defined in the Annexes of Directive 2011/65/EU (RoHS2). Finished electrical and electronic equipment products will be CE marked as required by Directive 2011/65/EU. Components may not be CE marked. Additionally, the part numbers that TE has identified as EU ELV compliant have a maximum concentration of 0.1% by weight in homogenous materials for lead, hexavalent chromium, and mercury, and 0.01% for cadmium, or qualify for an exemption to these limits as defined in the Annexes of Directive 2000/53/EC (ELV). Regarding the REACH Regulation, the information TE provides on SVHC in articles for this part number is based on the latest European Chemicals Agency (ECHA) 'Guidance on requirements for substances in articles' posted at this URL: <https://echa.europa.eu/guidance-documents/guidance-on-reach>

Compatible Parts




TE Part # 2278088-2
AK1 SQUIB PIGTAIL CABLE ASSEMBLY LH



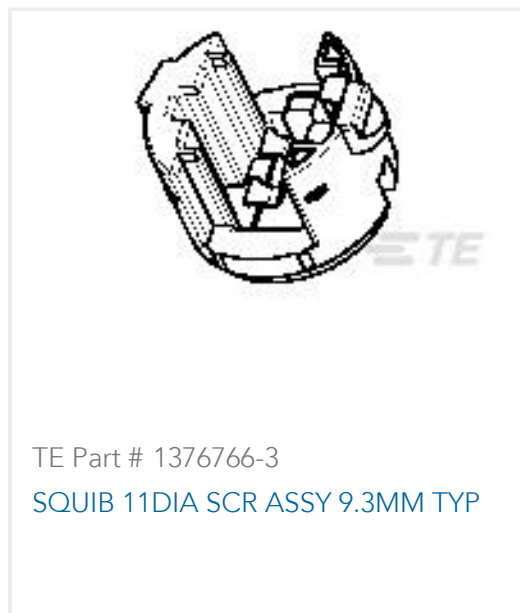
TE Part # 1376766-1
SQUIB 11DIA SCR ASSY 9.3MM TYP



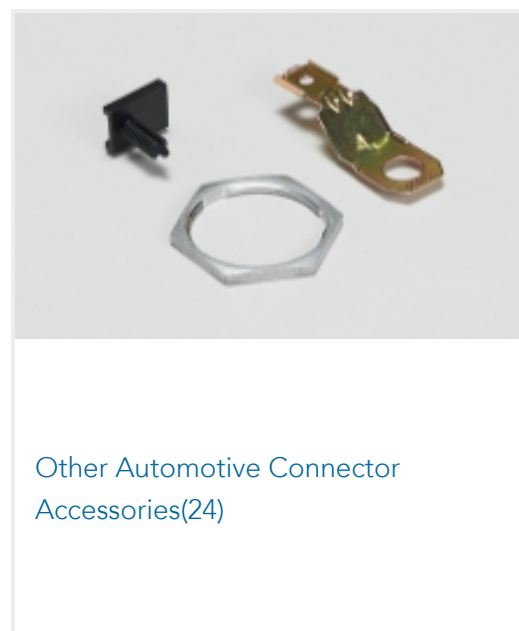
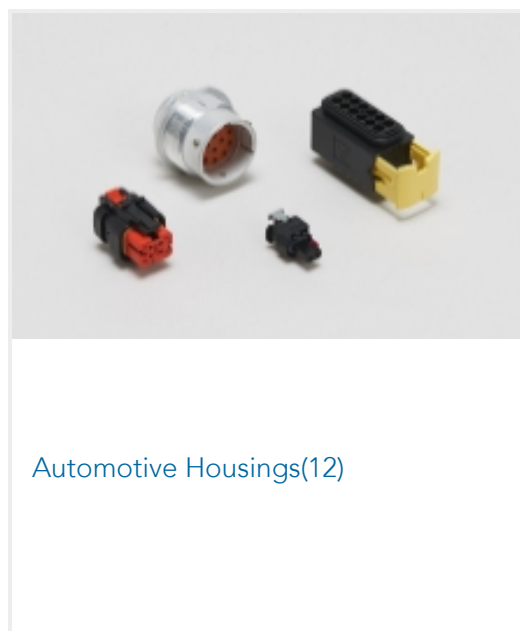
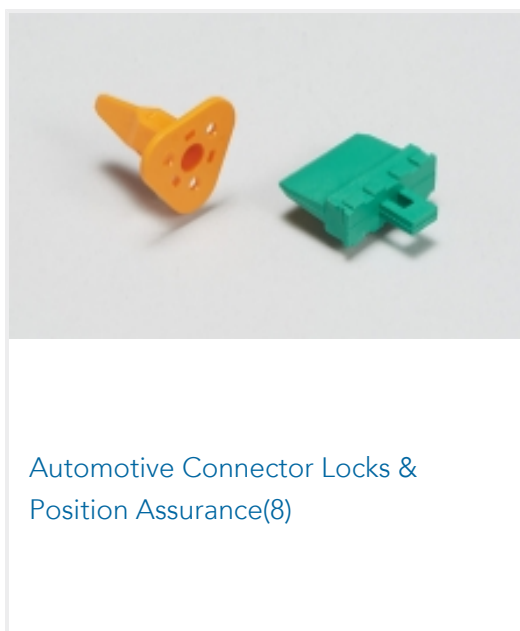
TE Part # 2278088-1
AK1 SQUIB PIGTAIL CABLE ASSEMBLY RH



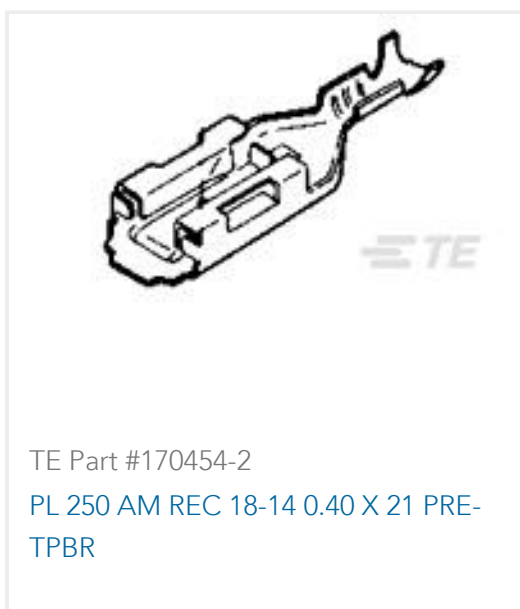
TE Part # 1827120-2
SQUIB LOCKING BUTTON

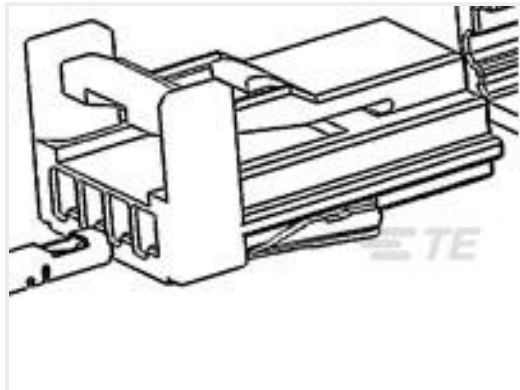


Also in the Series | AMP Auto Squib Products



Customers Also Bought





TE Part #1746911-1
0.64III I/O 4P CONNECTOR PLUG HOUSING B



TE Part #2040105-1
0.50/1.0/2.8 SEALED PLUG ASSY 114POS



TE Part #2069748-1
0.64II CONNECTOR 1ROW 4POS PLUG HOUSING



TE Part #2-2236896-5
2POS, MCON 1.2 LL REC SEALED



TE Part #CAT-M9194-CH8172
MULTILOCK, CONNECTOR HOUSING

Documents

Product Drawings

SQUIB 2POS PLUG HSG

English

CAD Files

Customer View Model

[ENG_CVM_CVM_1612121-5_E.2d_dxf.zip](#)

English

3D PDF

3D

Customer View Model

[ENG_CVM_CVM_1612121-5_E.3d_igs.zip](#)

English

Customer View Model

[ENG_CVM_CVM_1612121-5_E.3d_stp.zip](#)

English

By downloading the CAD file I accept and agree to the [Terms and Conditions](#) of use.

Product Specifications

11DIA SQUIB CONNECTOR COMPACT TYPE

Japanese

SQUIB Connector 11DIA

Japanese

Product Specification

Japanese

SQUIB Connector 11DIA

Japanese



Product Specification

Japanese

Instruction Sheets

Instruction Sheet (non U.S.)

Japanese