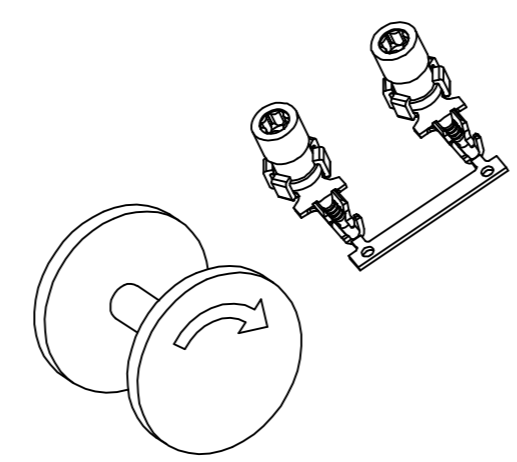
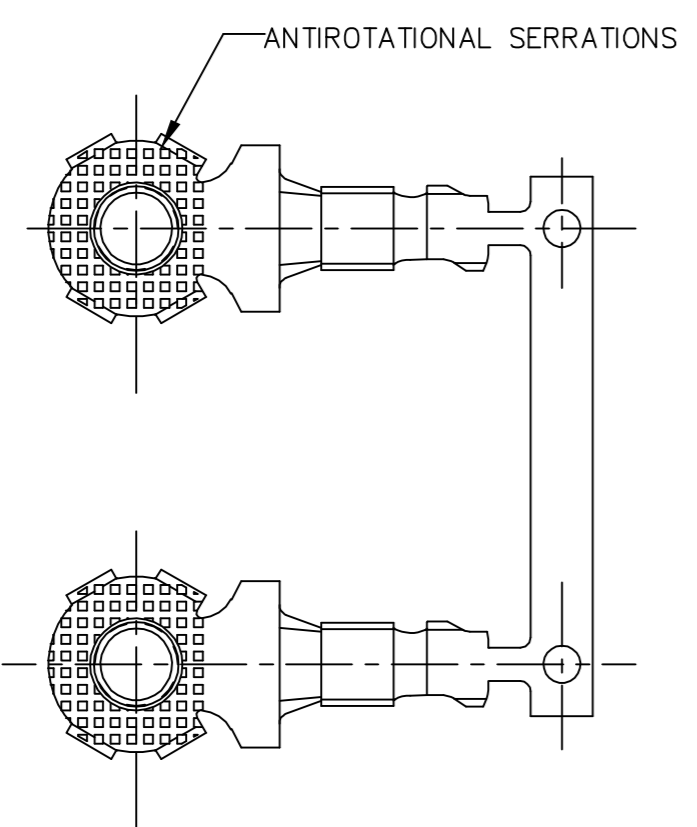
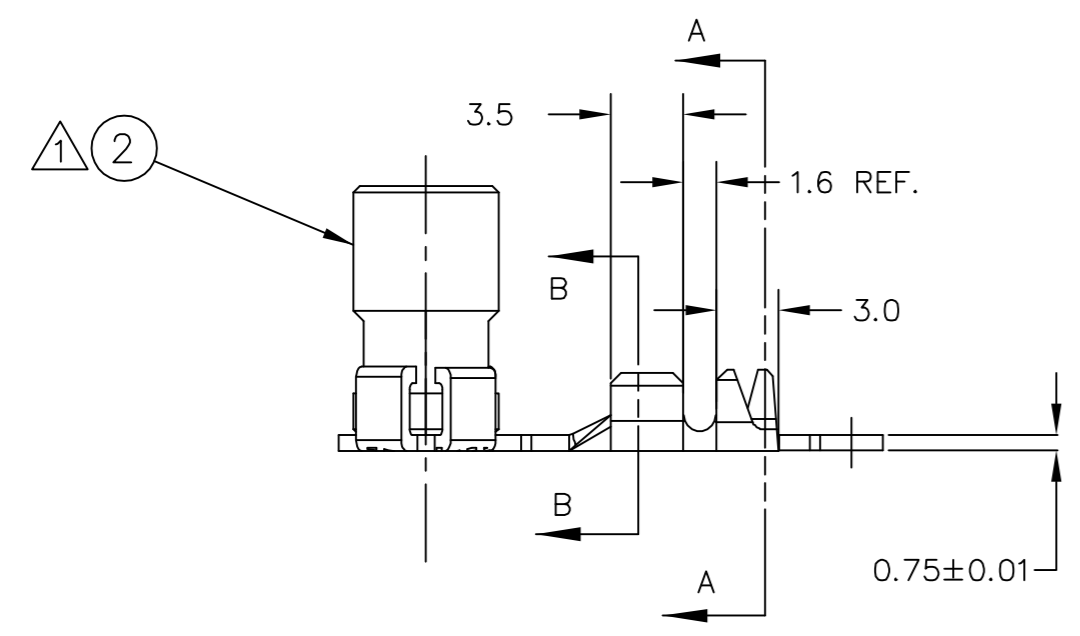
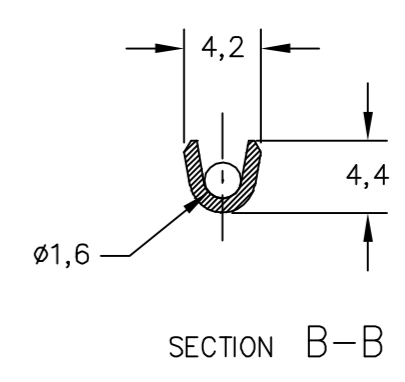
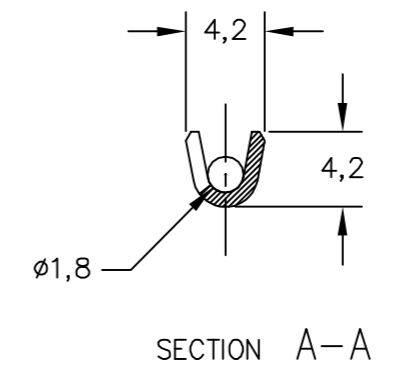
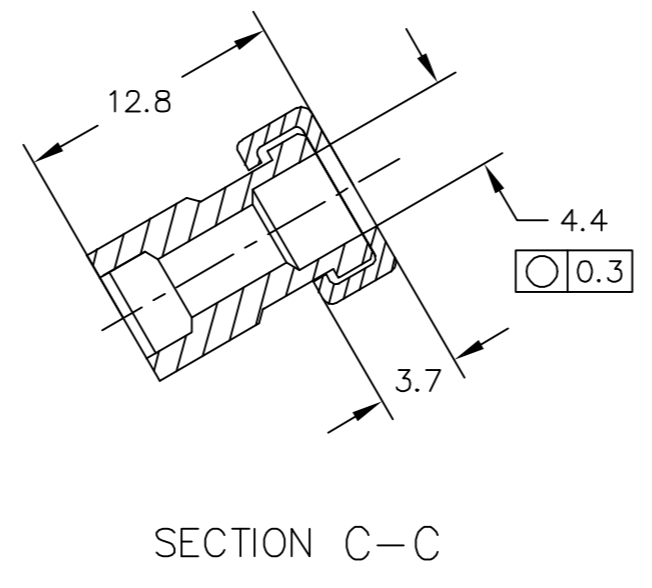
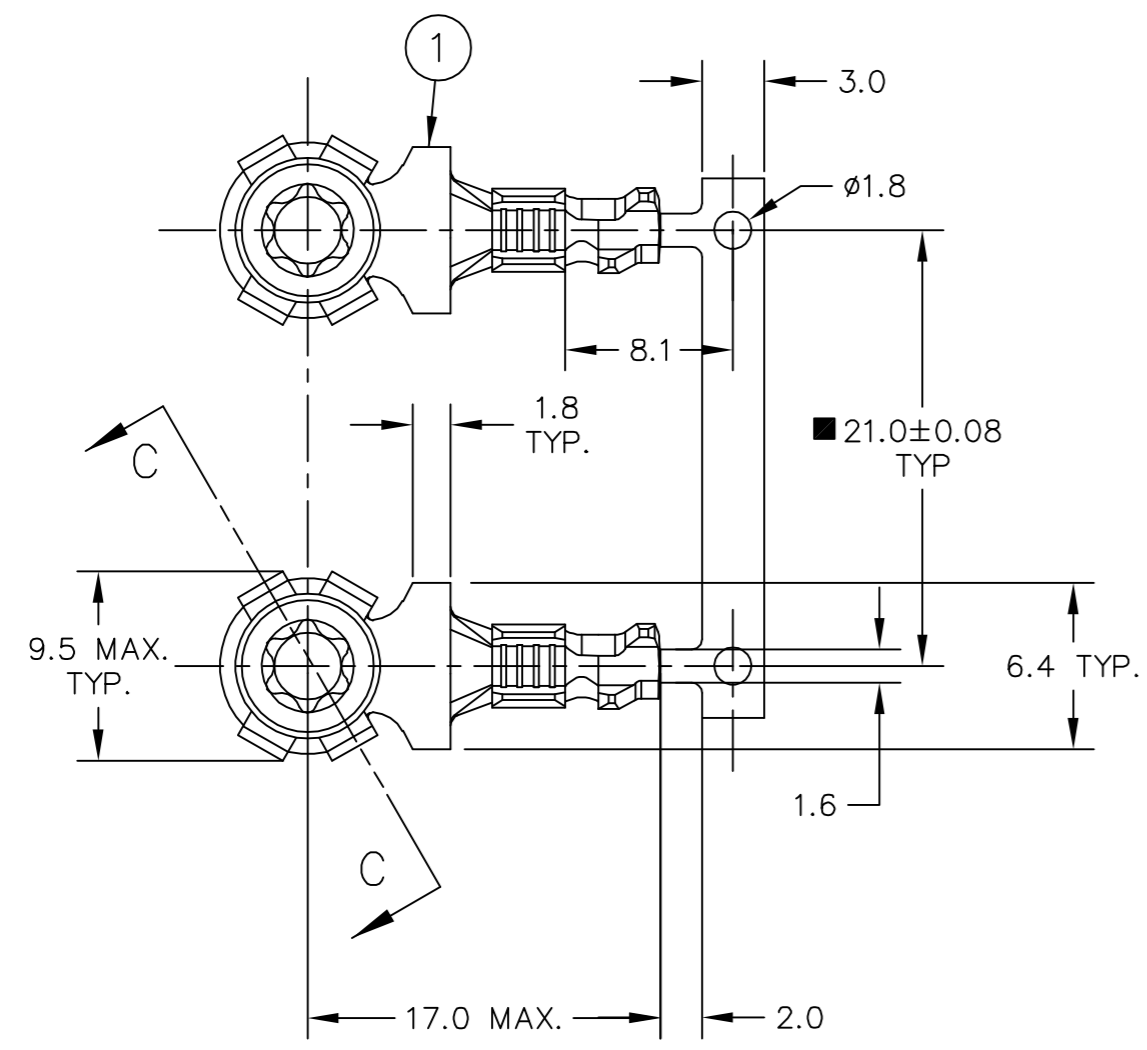


THIS DRAWING IS UNPUBLISHED. RELEASED FOR PUBLICATION
 © COPYRIGHT - By - ALL RIGHTS RESERVED.

LOC		DIST		REVISIONS			
P	LTR	DESCRIPTION	DATE	DWN	APVD		
	F1	REVISED BY ECO-07-009088	23APR07	RKL	SHO		
	F2	REVISED DESIGN ECO-12-001803	08FEB2012	NCL	GOJ		
	F3	REVISED DESIGN ECO-12-017611	15OCT2012	NCL	CS		



DIRECTION OFF TOP OF REEL
 TYCO SPEC. 107-3 FIG.1

- 1 - PORCA COM HEXALOBULAR INTERNO (ISO 10664-25), AÇO BAIXO CARBONO, ZINCADO BICROMATIZADO (CROMO TRIVALENTE)
 - NUT WITH INTERNAL HEXALOBULAR (ISO 10664-25), LOW CARBON STEEL, ZINC PLATING BICHROMATED (TRIVALENT CHROMIUM)
- 2 - GARRA DO CONDUTOR PARA "F" CRIMP E GARRA DO ISOLANTE PARA "O" CRIMP.
 - WIRE BARREL FOR "F" CRIMP AND INSULATION FOR "O" CRIMP.
- 3 - ALTURAS E LARGURAS DO FECHAMENTO PARA 0,75-1,00mm².
 CONDUTOR (CRIMP WIDTH): ISOLANTE (INSULATION CRIMP WIDTH)
 LARGURA: .130 "F" .130"O"
- ALTURA (CRIMP HEIGHT): 1,00mm² - 2,24mm.
 0,75mm² - 2,18mm.
- 4 - 1599560-2 PEÇA PROTÓTIPO.
 - 1599560-2 PROTOTYPE PART.
- 5 - PORCA COM HEXALOBULAR INTERNO (ISO 10664-25), LATÃO CLA/CuZn38 Pb1,5 SEM ACABAMENTO.
 - NUT WITH INTERNAL HEXALOBULAR (ISO 10664-25), BRASS CLA/CuZn38 Pb1,5 WITHOUT PLATING.

WIRE RANGE	INS. RANGE	REQ. PER ASSY	ITEM	DESCRIPTION	MATERIAL	FINISH
0,75-1,00 mm ²	$\phi 1,55-2,10$	-3 / -2 / -1	4	SPECIAL NUT M4		
			3	SPECIAL NUT M4 (PROTOTYPE)		
			2	SPECIAL NUT M4		
			1	TERMINAL RING TONGUE	BRONZE PHOS.	PRE-TIN/PRE-ESTANHADO
		1599560				

THIS DRAWING IS A CONTROLLED DOCUMENT.		DWN DCBLANCO 27ABR2005	TE Connectivity	
DIMENSIONS: mm		CHK P.L.FARIA 27ABR2005	ASSY, TERMINAL RING TONG, M4	
TOLERANCES UNLESS OTHERWISE SPECIFIED:		APVD D.A.OLIVEIRA 27ABR2005	NAME	
0 PLC	± -	PRODUCT SPEC		
1 PLC	± 0,3	APPLICATION SPEC		
2 PLC	± -	SIZE CAGE CODE DRAWING NO RESTRICTED TO		
3 PLC	± -	A2 00779 C=1599560		
4 PLC	± -	CUSTOMER DRAWING SCALE 3:1 SHEET 1 OF 1 REV F3		
ANGLES	± 1'			
MATERIAL	FINISH			
SEE TABLE	-			