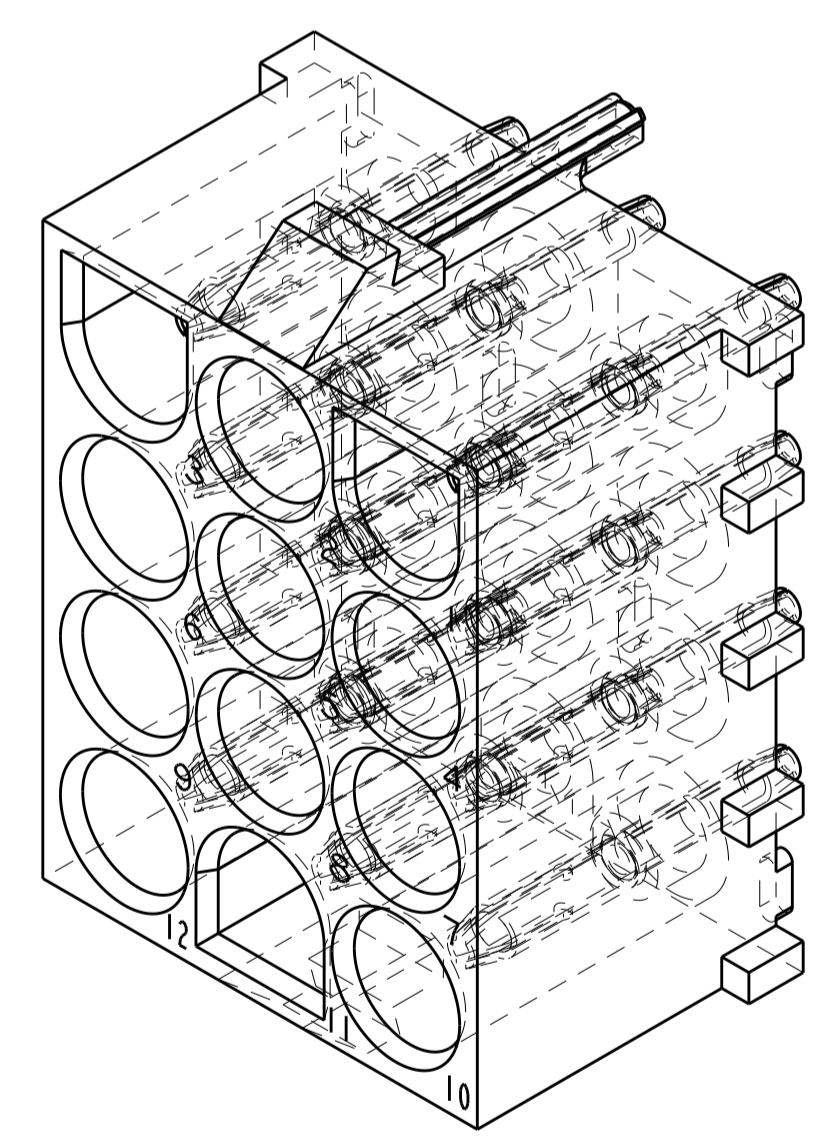
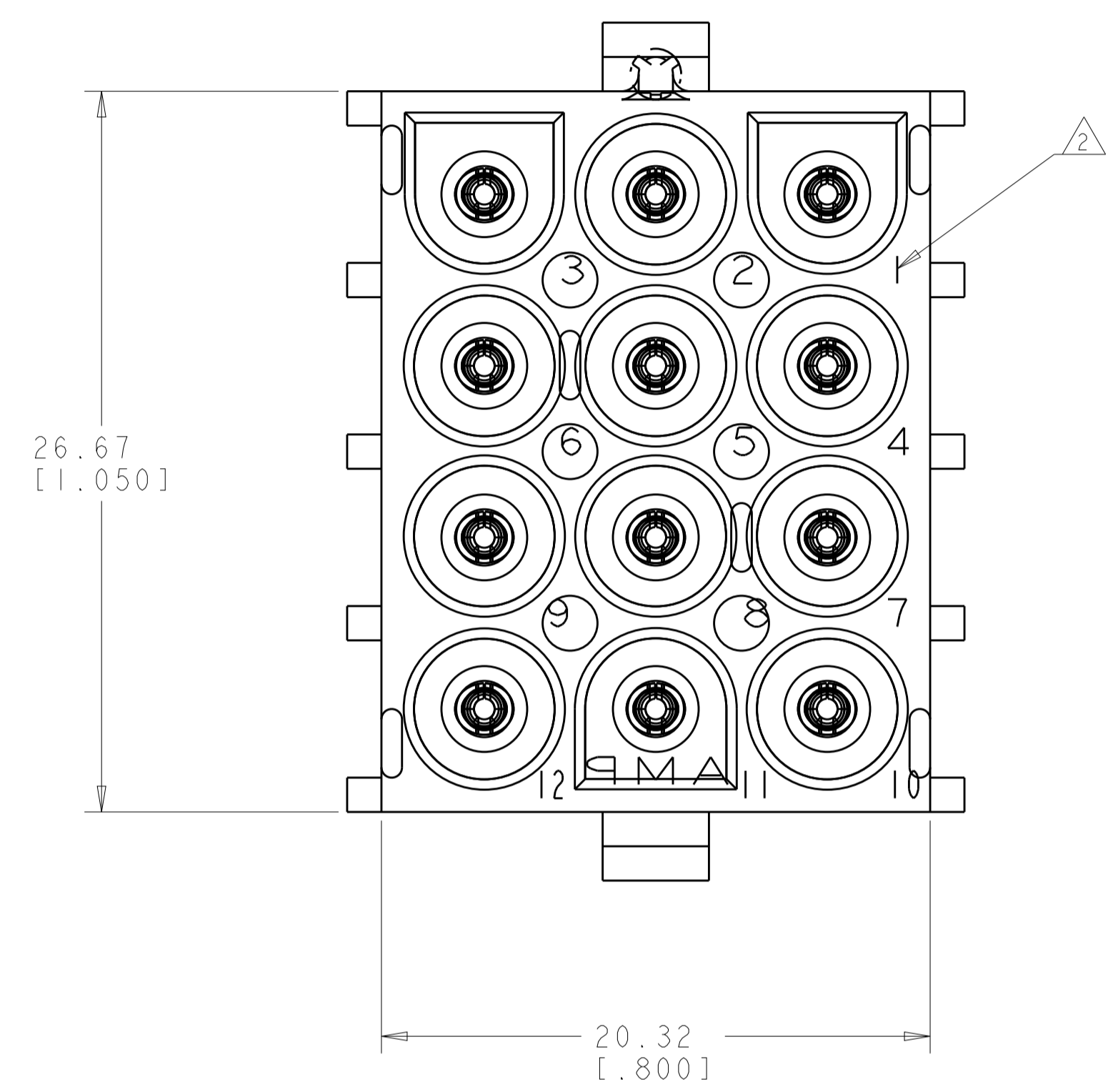
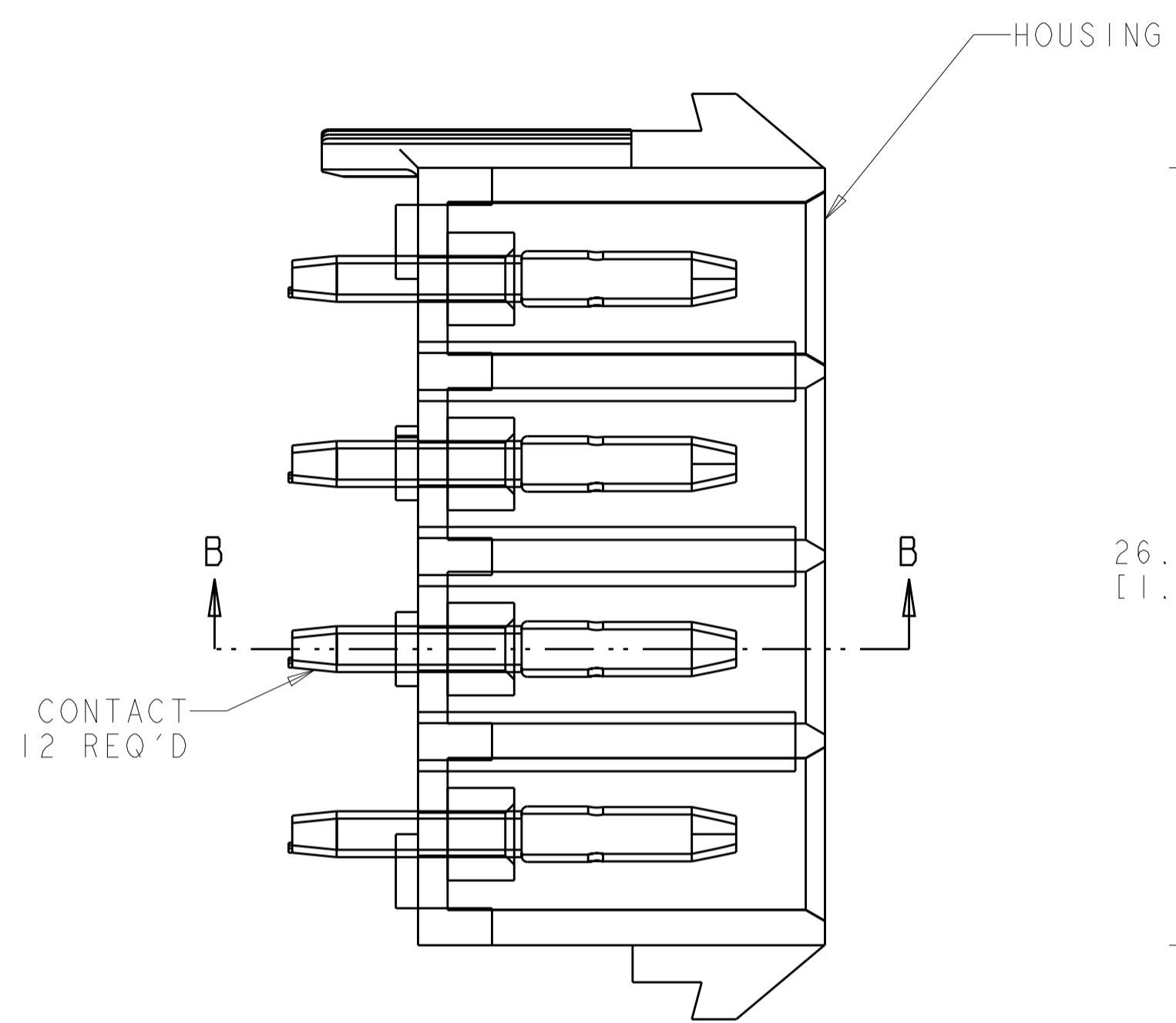
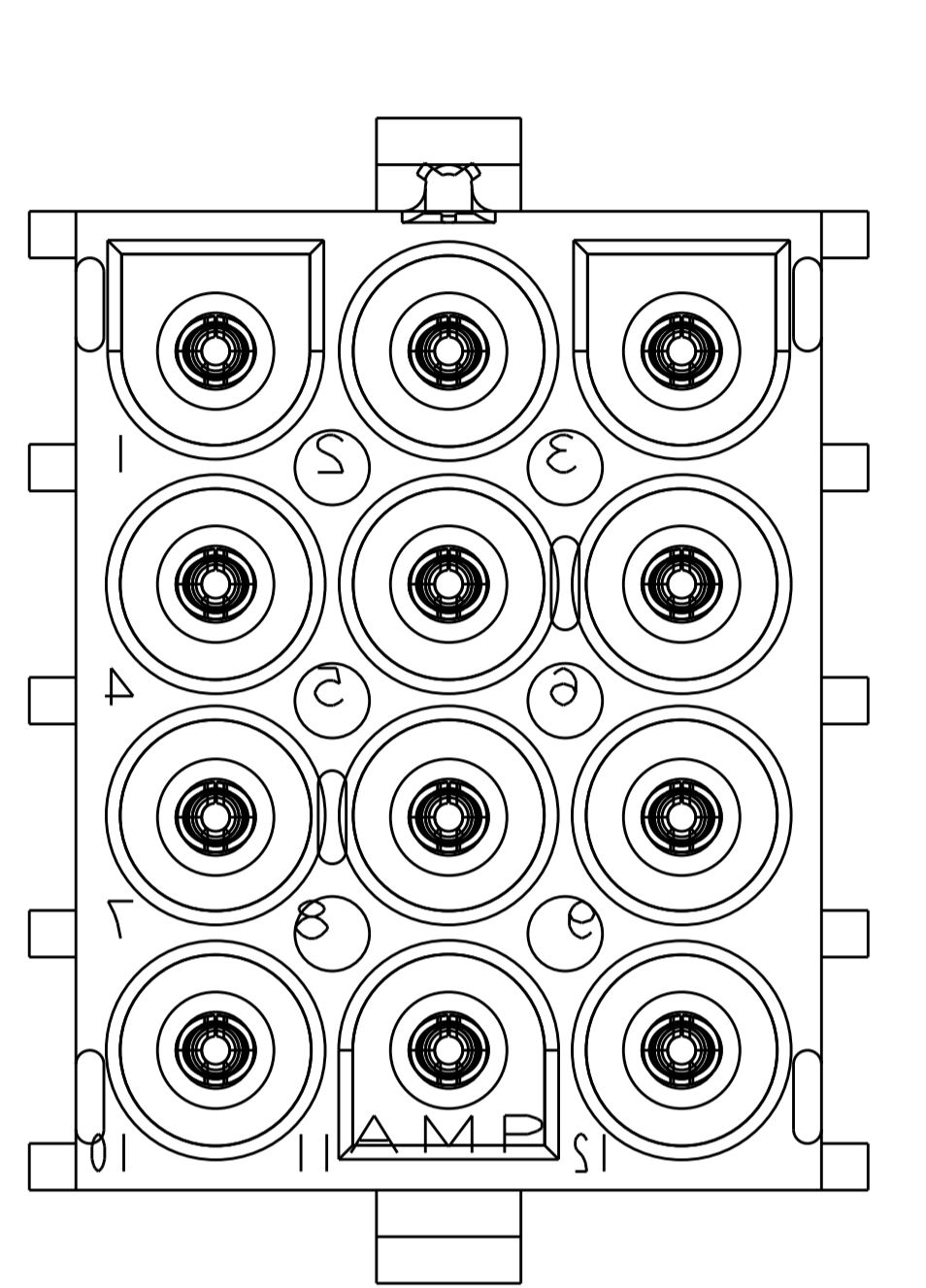
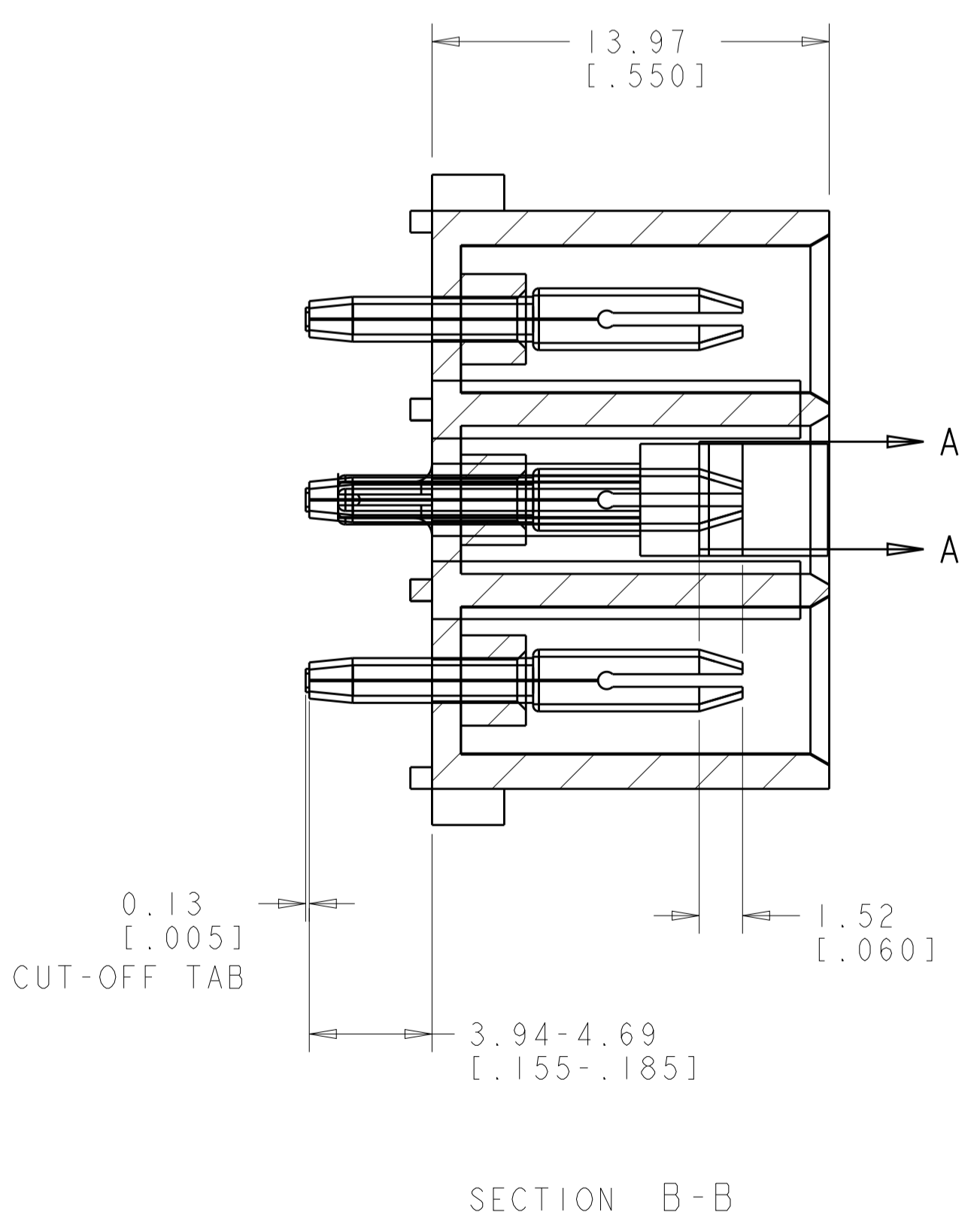
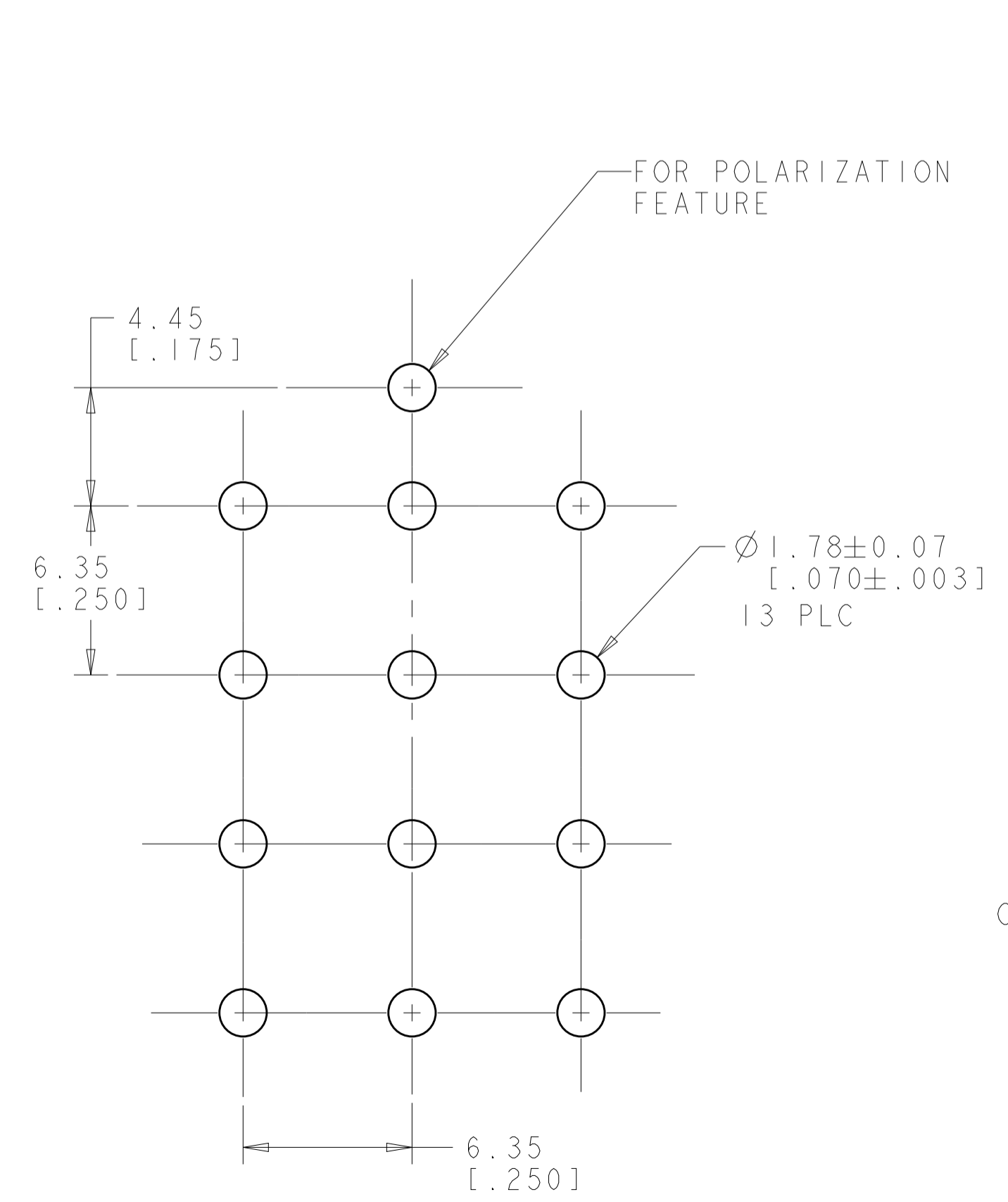


LOC		DIST		REVISIONS				
CM	00	P	LTN	DESCRIPTION	DATE	DWN	APVD	
		O		REVISED PER OG38-0439-03	08-SEP-03	KW	SR	
		A		REVISED PER ECR-14-013786	26-SEP-2014	AV	KD	
		A1		REVISED PER ECR-14-019076	20-JAN-2015	AV	DZ	

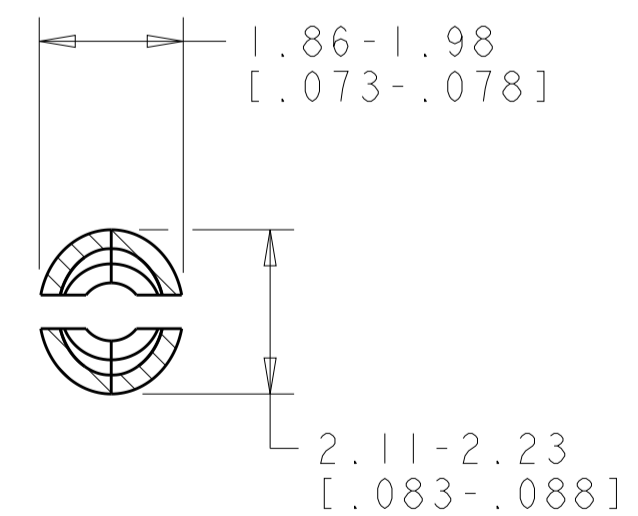
- PARTS COMPLY TO TE SOLDERABILITY SPECIFICATION 109-11-3.
- CIRCUIT IDENTIFICATION CHARACTERS ARE ADJACENT TO THE INDICATED CAVITIES, BUT LOCATION AND ORIENTATION MAY DIFFER FROM PRINT.
- DIMENSIONS IN BRACKETS ARE IN INCHES.



3 DIMENSIONAL MODEL
SCALE 4:1



SECTION B-B



SECTION A-A
SCALE 10:1

PHOSPOR BRONZE, PRE-TIN	NYLON, UL94V-2, NATURAL	1586176-2
PHOSPOR BRONZE, PRE-TIN	NYLON, UL94V-0, WHITE	1586176-1
PIN CONTACT MATERIAL AND FINISH	HOUSING MATERIAL AND COLOR	PART NUMBER

THIS DRAWING IS A CONTROLLED DOCUMENT.		DWN: K. WHITAKER 08-SEP-2003	TE Connectivity
DIMENSIONS: mm [INCHES]		CHK: S. RIDGILL 08-SEP-2003	
TOLERANCES UNLESS OTHERWISE SPECIFIED:		APVD: S. RIDGILL 08-SEP-2003	
0 PLC ± 1 PLC ±0.131(.005) 2 PLC ± 3 PLC ± 4 PLC ± ANGLES ±40°/30°		NAME: PIN HEADER ASSEMBLY, POLARIZED, 12 CIRCUIT, W/O DRAIN HOLES, UNIVERSAL MATE-N-LOK™ PRODUCT SPEC: APPLICATION SPEC: SIZE: A1 CAGE CODE: 1586176 CUSTOMER DRAWING	
MATERIAL: SEE TABLE	FINISH: SEE TABLE	WEIGHT: -	SCALE: 5:1 SHEET: 1 OF 1 REV: A1