

1544970-1 ✓ ACTIVE

AMP | NG1, NG Power Terminals and Connectors

TE Internal #: 1544970-1

Single Wire Seal (SWS), 10.5 mm [.413 in] Cavity Diameter, -40 – 130 °C [-40 – 266 °F], Brown, Silicone, NG Power Terminals and Connectors

[View on TE.com >](#)



Connectors > Connector Accessories > Connector Seals & Cavity Plugs > Medium Power Terminals Single Wire Seals 4.8mm-12mm



Connector Seal & Plug Type: **Single Wire Seal (SWS)**

Cavity Diameter: **10.5 mm [ .413 in ]**

Operating Temperature Range: **-40 – 130 °C [ -40 – 266 °F ]**

Primary Product Color: **Brown**

Primary Product Material: **Silicone**

[All Medium Power Terminals Single Wire Seals 4.8mm-12mm \(9\)](#)

## Features

### Product Type Features

Connector Seal & Plug Type	Single Wire Seal (SWS)
----------------------------	------------------------

### Body Features

Primary Product Color	Brown
Primary Product Material	Silicone

### Dimensions

Cavity Diameter	10.5 mm [.413 in]
Compatible Insulation Diameter Range	2.65 – 4 mm [.104 – .157 in]

### Usage Conditions

Operating Temperature Range	-40 – 130 °C [-40 – 266 °F]
Operating Temperature (Max)	130 °C [266 °F]

### Other

Resistance to Hydrocarbons	Poor
Shore A Hardness	50
Contains Lubricant	Yes

## Product Compliance

[For compliance documentation, visit the product page on TE.com>](#)



EU RoHS Directive 2011/65/EU	Compliant
EU ELV Directive 2000/53/EC	Compliant
China RoHS 2 Directive MIIT Order No 32, 2016	No Restricted Materials Above Threshold
EU REACH Regulation (EC) No. 1907/2006	Current ECHA Candidate List: JAN 2025 (247) Candidate List Declared Against: JAN 2025 (247) Does not contain REACH SVHC
Halogen Content	BFR/CFR/PVC Free, but Br/Cl >900 ppm in other sources.
Solder Process Capability	Not applicable for solder process capability

Product Compliance Disclaimer

This information is provided based on reasonable inquiry of our suppliers and represents our current actual knowledge based on the information they provided. This information is subject to change. The part numbers that TE has identified as EU RoHS compliant have a maximum concentration of 0.1% by weight in homogenous materials for lead, hexavalent chromium, mercury, PBB, PBDE, DBP, BBP, DEHP, DIBP, and 0.01% for cadmium, or qualify for an exemption to these limits as defined in the Annexes of Directive 2011/65/EU (RoHS2). Finished electrical and electronic equipment products will be CE marked as required by Directive 2011/65/EU. Components may not be CE marked. Additionally, the part numbers that TE has identified as EU ELV compliant have a maximum concentration of 0.1% by weight in homogenous materials for lead, hexavalent chromium, and mercury, and 0.01% for cadmium, or qualify for an exemption to these limits as defined in the Annexes of Directive 2000/53/EC (ELV). Regarding the REACH Regulation, the information TE provides on SVHC in articles for this part number is based on the latest European Chemicals Agency (ECHA) 'Guidance on requirements for substances in articles' posted at this URL: <https://echa.europa.eu/guidance-documents/guidance-on-reach>

## Compatible Parts



TE Part # 1801361-3  
HOUSING ASSY, 8MM RCPT CONT, 1W, SEALED



TE Part # 1544978-3  
RECEPT HSG ASSY, 8MM NG1+, 2W, SEALED



TE Part # 1544967-2  
TAB, 8MM NG1 PLUS



TE Part # 1544980-4  
TAB HOUSING, 8MM NG1 PLUS, 2 WAY



TE Part # 1544966-2  
8MM NG1+ TERMINAL



TE Part # 1544965-1  
8MM NG1+ TERMINAL



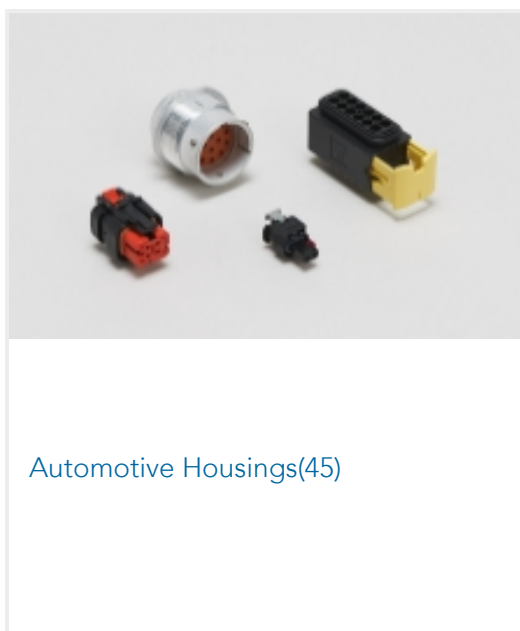
TE Part # 1544680-3  
RECPT HSG ASSY, 8MM NG1, 1W, SEALED, CPA



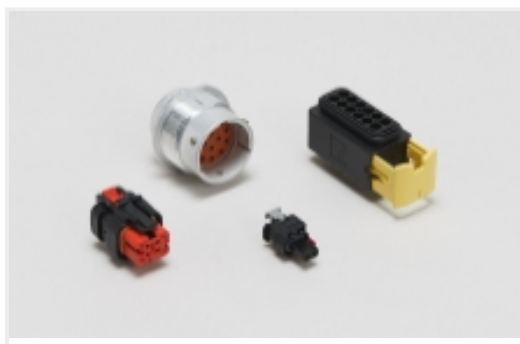
TE Part # 1544978-2  
RECEPT HSG ASSY, 8MM NG1+, 2W, SEALED



Also in the Series | **NG1**



Also in the Series | **NG Power Terminals and Connectors**



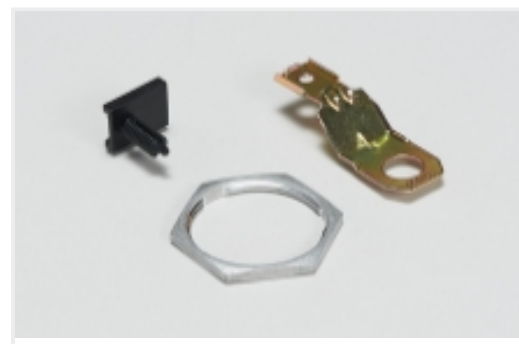
Automotive Housings(45)



Automotive Seals & Cavity Plugs(11)



Automotive Signal & Power Connector Housings(45)

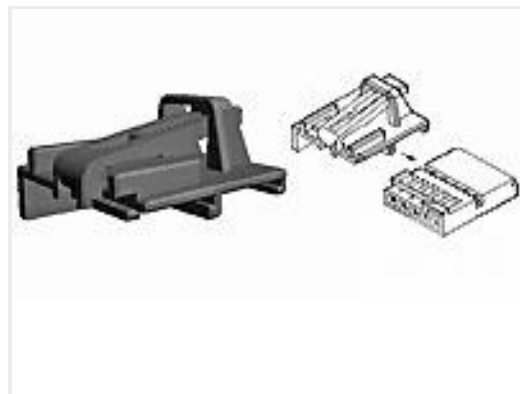


Other Automotive Connector Accessories(1)

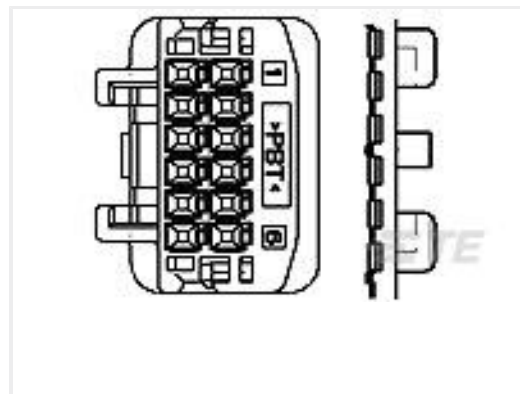
## Customers Also Bought



TE Part #179631-1  
DIAGNOSTIC PLUG HSG 16P NARU.



TE Part #1418776-1  
COVER, MQS, 5 POS.



TE Part #1473407-1  
025 G 12POS CAP ASSY W TO W



TE Part #1544650-1  
PC 2V 8NG1 NOIR JT



TE Part #1544650-3  
PC 2V 8NG1 GRIS JT



TE Part #1544965-1  
8MM NG1+ TERMINAL



TE Part #1544968-1  
TAB, 8MM NG1 PLUS



TE Part #1544978-1  
RECEPT HSG ASSY, 8MM NG1+, 2W,  
SEALED



TE Part #1801179-5  
3W RECEPTACLE HPSL CONNECTOR  
GREEN



TE Part #2390421-1  
36POS, AMP MCP 1.5K, REC HSG ASSY

## Documents

### Product Drawings

[SEAL, NG9K](#)

English

### CAD Files

Customer View Model

[ENG\\_CVM\\_CVM\\_1544970-1\\_A.2d\\_dxf.zip](#)

English

[3D PDF](#)



3D

Customer View Model

[ENG\\_CVM\\_CVM\\_1544970-1\\_A.3d\\_igs.zip](#)

English

Customer View Model

[ENG\\_CVM\\_CVM\\_1544970-1\\_A.3d\\_stp.zip](#)

English

By downloading the CAD file I accept and agree to the [Terms and Conditions](#) of use.

---

## Product Specifications

[Product Specification](#)

English

---

## Instruction Sheets

[Instruction Sheet \(non U.S.\)](#)

English