

1544650-1 ✓ ACTIVE

AMP | NG Power Terminals and Connectors

TE Internal #: 1544650-1

2 Position Housing, Housing for Female Terminals, Wire-to-Wire, 12 mm [.472 in] Centerline, Sealable, Black, NG Power Terminals and Connectors

[View on TE.com >](#)



Automotive Parts > Automotive Connectors > Automotive Housings



Connector & Housing Type: **Housing for Female Terminals**

Number of Positions: 2

Sealable: **Yes**

Operating Temperature Range: **-40 – 125 °C [-40 – 257 °F]**

Number of Rows: 1

Features

Product Type Features

Mixed & Hybrid Connector	No
Connector Shape	Rectangular
Connector & Housing Type	Housing for Female Terminals
Sealable	Yes
Primary Locking Feature	Integrated in Housing
Connector System	Wire-to-Wire
Connector & Contact Terminates To	Wire & Cable

Configuration Features

Number of Positions	2
Number of Rows	1

Electrical Characteristics

Nominal Voltage Architecture	12 V
------------------------------	------

Body Features

Cable Exit Angle	180°
------------------	------



Primary Product Color	Black
Connector & Keying Code	Neutral

Contact Features

Contact Size	8mm
Contact Type	Receptacle
Mating Tab Width	8 mm [.315 in]

Mechanical Attachment

Strain Relief	With
Terminal Position Assurance	Yes
Mating Alignment Type	Keyed
Mating Alignment	With
Connector Mounting Type	Cable Mount (Free-Hanging)

Housing Features

Housing Material	PBT
Centerline (Pitch)	12 mm [.472 in]

Dimensions

Product Width	43.4 mm [1.709 in]
Product Length	34.9 mm [1.374 in]
Connector Height	34.2 mm [1.346 in]

Usage Conditions

Operating Temperature Range	-40 – 125 °C [-40 – 257 °F]
Operating Temperature (Max)	125 °C [257 °F]

Industry Standards

UL Flammability Rating	UL 94HB
------------------------	---------

Packaging Features

Packaging Method	Box
Packaging Quantity	750

Other

Serviceable	Yes
Connector Position Assurance Capable	Yes



Product Compliance

[For compliance documentation, visit the product page on TE.com>](#)

EU RoHS Directive 2011/65/EU	Compliant
EU ELV Directive 2000/53/EC	Compliant
China RoHS 2 Directive MIIT Order No 32, 2016	No Restricted Materials Above Threshold
EU REACH Regulation (EC) No. 1907/2006	Current ECHA Candidate List: JAN 2025 (247) Candidate List Declared Against: JAN 2025 (247) Does not contain REACH SVHC
Halogen Content	Low Halogen - Br, Cl, F, I < 900 ppm per homogenous material. Also BFR/CFR/PVC Free
Solder Process Capability	Not applicable for solder process capability

Product Compliance Disclaimer

This information is provided based on reasonable inquiry of our suppliers and represents our current actual knowledge based on the information they provided. This information is subject to change. The part numbers that TE has identified as EU RoHS compliant have a maximum concentration of 0.1% by weight in homogenous materials for lead, hexavalent chromium, mercury, PBB, PBDE, DBP, BBP, DEHP, DIBP, and 0.01% for cadmium, or qualify for an exemption to these limits as defined in the Annexes of Directive 2011/65/EU (RoHS2). Finished electrical and electronic equipment products will be CE marked as required by Directive 2011/65/EU. Components may not be CE marked. Additionally, the part numbers that TE has identified as EU ELV compliant have a maximum concentration of 0.1% by weight in homogenous materials for lead, hexavalent chromium, and mercury, and 0.01% for cadmium, or qualify for an exemption to these limits as defined in the Annexes of Directive 2000/53/EC (ELV). Regarding the REACH Regulation, the information TE provides on SVHC in articles for this part number is based on the latest European Chemicals Agency (ECHA) 'Guidance on requirements for substances in articles' posted at this URL: <https://echa.europa.eu/guidance-documents/guidance-on-reach>

Compatible Parts



TE Part # 1544662-1
PC 2V NG1 NOIR



TE Part # 1544965-1
8MM NG1+ TERMINAL



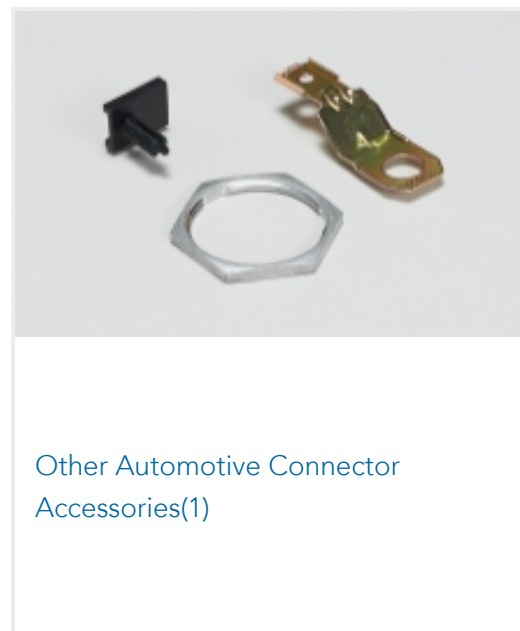
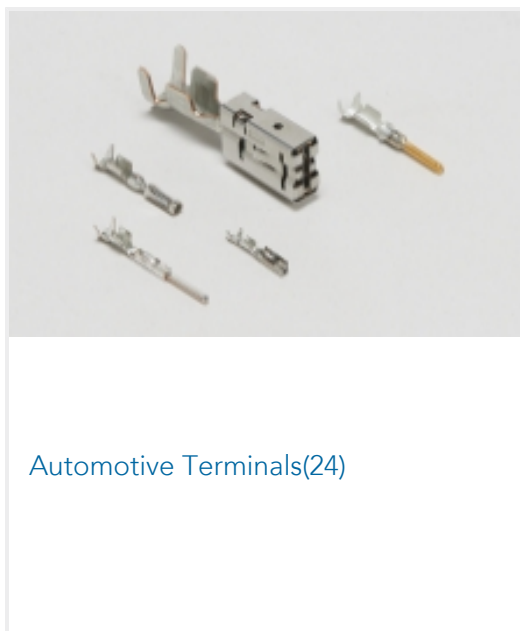
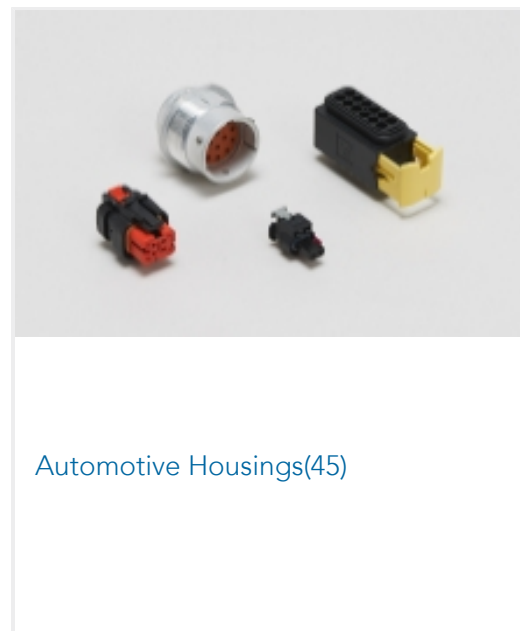
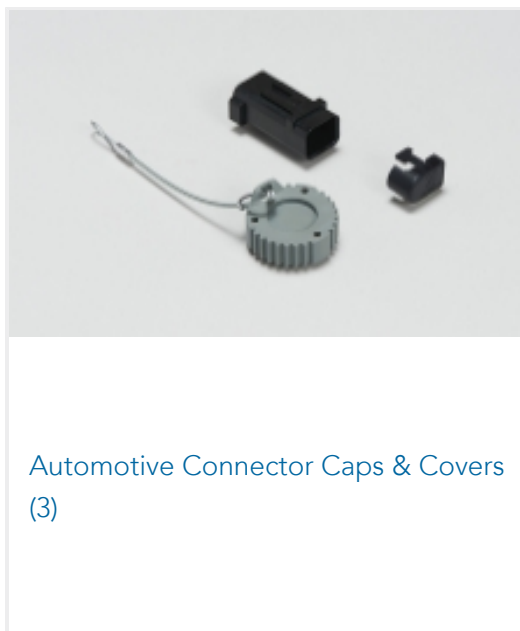
TE Part # 1579018-3
INSERTION TOOL



TE Part # 1544966-1
8MM NG1+ TERMINAL

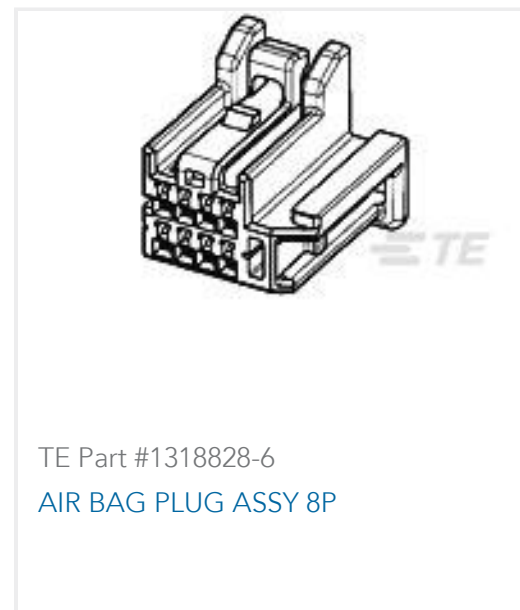


Also in the Series | **NG Power Terminals and Connectors**



Customers Also Bought





Documents

Product Drawings

[PC 2V 8NG1 NOIR JT](#)

English

CAD Files

Customer View Model

[ENG_CVM_CVM_1544650-1_A.2d_dxf.zip](#)

English

[3D PDF](#)

3D

Customer View Model

[ENG_CVM_CVM_1544650-1_A.3d_igs.zip](#)

English

Customer View Model

[ENG_CVM_CVM_1544650-1_A.3d_stp.zip](#)

English

By downloading the CAD file I accept and agree to the [Terms and Conditions](#) of use.

Product Specifications

[Product Specification](#)

English

Instruction Sheets

[Instruction Sheet \(non U.S.\)](#)

English

[Instruction Sheet \(non U.S.\)](#)

French