



Connectors > PCB Connectors > Card Edge Connectors > Leadframes



Leadframe Type: **Single-In-Line (SIL)**

Centerline (Pitch): **1.27 mm [ .05 in ]**

PCB Thickness (Accepted): **1 mm [ .039 in ]**

Standoff Height: **1 mm [ .039 in ]**

Leadframe Hold-Down Feature: **Without**

## Features

### Product Type Features

Connector & Contact Terminates To	Printed Circuit Board
Connector System	Board-to-Board
Leadframe Type	Single-In-Line (SIL)

### Configuration Features

Winding Direction	Down
-------------------	------

### Body Features

Leadframe Clip Length	1.5 mm[.059 in]
Leadframe Thickness	.25 mm[.01 in]
Leadframe Clip Type	Y1
Leadframe Width	18.1 mm[.712 in]
Leadframe Hold-Down Feature	Without

### Contact Features

Contact Base Material	Phosphor Bronze
Leadframe Pin Length	9.7 mm[.382 in]
Leadframe Plating Material	Tin

### Termination Features

Termination Method to PCB	Through Hole - Solder
---------------------------	-----------------------

### Mechanical Attachment

Connector Mounting Type	Board Mount
-------------------------	-------------

### Housing Features

Centerline (Pitch)	1.27 mm[.05 in]
--------------------	-----------------

### Dimensions

Leadframe Gap Size	.87 mm[.034 in]
--------------------	-----------------

PCB Thickness (Accepted)	1 mm[.039 in]
--------------------------	---------------

Standoff Height	1 mm[.039 in]
-----------------	---------------

### Packaging Features

Packaging Quantity	80000
--------------------	-------

### Product Compliance

[For compliance documentation, visit the product page on TE.com>](#)

EU RoHS Directive 2011/65/EU	Compliant
EU ELV Directive 2000/53/EC	Compliant
China RoHS 2 Directive MIIT Order No 32, 2016	No Restricted Materials Above Threshold
EU REACH Regulation (EC) No. 1907/2006	Current ECHA Candidate List: JAN 2025 (247) Candidate List Declared Against: JAN 2025 (247) Does not contain REACH SVHC
Halogen Content	Low Halogen - Br, Cl, F, I < 900 ppm per homogenous material. Also BFR/CFR/PVC Free
Solder Process Capability	Wave solder capable to 265°C

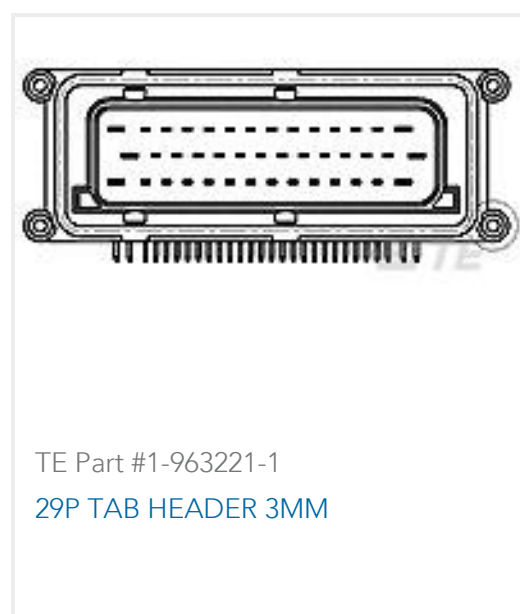
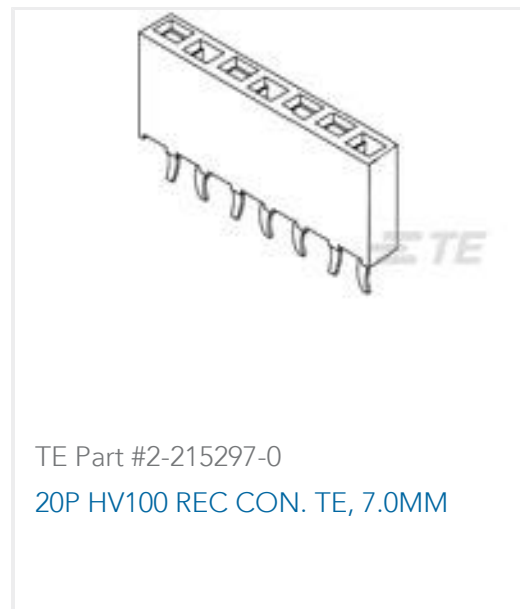
#### Product Compliance Disclaimer

This information is provided based on reasonable inquiry of our suppliers and represents our current actual knowledge based on the information they provided. This information is subject to change. The part numbers that TE has identified as EU RoHS compliant have a maximum concentration of 0.1% by weight in homogenous materials for lead, hexavalent chromium, mercury, PBB, PBDE, DBP, BBP, DEHP, DIBP, and 0.01% for cadmium, or qualify for an exemption to these limits as defined in the Annexes of Directive 2011/65/EU (RoHS2). Finished electrical and electronic equipment products will be CE marked as required by Directive 2011/65/EU. Components may not be CE marked. Additionally, the part numbers that TE has identified as EU ELV compliant have a maximum concentration of 0.1% by weight in homogenous materials for lead, hexavalent chromium, and mercury, and 0.01% for cadmium, or qualify for an exemption to these limits as defined in the Annexes of Directive 2000/53/EC (ELV). Regarding the REACH Regulation, the information TE provides on SVHC in articles for this part number is based on the latest European Chemicals Agency (ECHA) 'Guidance on requirements for substances in articles' posted at this URL: <https://echa.europa.eu/guidance-documents/guidance-on-reach>

### Compatible Parts



### Customers Also Bought



### Documents

#### Product Drawings

[CTS 2374 ETAME](#)

English

#### CAD Files

Customer View Model

[ENG\\_CVM\\_1544400-1\\_B.3d\\_igs.zip](#)

English

Customer View Model



[ENG\\_CVM\\_1544400-1\\_B.3d\\_stp.zip](#)

English

**Customer View Model**

[ENG\\_CVM\\_1544400-1\\_B.2d\\_dxf.zip](#)

English

**3D PDF**

English

By downloading the CAD file I accept and agree to the [Terms and Conditions](#) of use.