



Product Compliance

[For compliance documentation, visit the product page on TE.com>](#)

EU RoHS Directive 2011/65/EU	Compliant
EU ELV Directive 2000/53/EC	Out of Scope
China RoHS 2 Directive MIIT Order No 32, 2016	No Restricted Materials Above Threshold
EU REACH Regulation (EC) No. 1907/2006	Current ECHA Candidate List: JAN 2025 (247) Candidate List Declared Against: JUNE 2024 (241) Does not contain REACH SVHC
Halogen Content	Low Halogen - Br, Cl, F, I < 900 ppm per homogenous material. Also BFR/CFR/PVC Free
Solder Process Capability	Not applicable for solder process capability

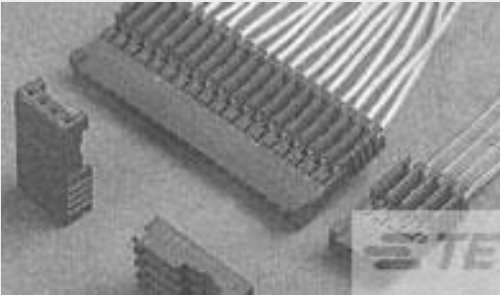
Product Compliance Disclaimer

This information is provided based on reasonable inquiry of our suppliers and represents our current actual knowledge based on the information they provided. This information is subject to change. The part numbers that TE has identified as EU RoHS compliant have a maximum concentration of 0.1% by weight in homogenous materials for lead, hexavalent chromium, mercury, PBB, PBDE, DBP, BBP, DEHP, DIBP, and 0.01% for cadmium, or qualify for an exemption to these limits as defined in the Annexes of Directive 2011/65/EU (RoHS2). Finished electrical and electronic equipment products will be CE marked as required by Directive 2011/65/EU. Components may not be CE marked. Additionally, the part numbers that TE has identified as EU ELV compliant have a maximum concentration of 0.1% by weight in homogenous materials for lead, hexavalent chromium, and mercury, and 0.01% for cadmium, or qualify for an exemption to these limits as defined in the Annexes of Directive 2000/53/EC (ELV). Regarding the REACH Regulation, the information TE provides on SVHC in articles for this part number is based on the latest European Chemicals Agency (ECHA) 'Guidance on requirements for substances in articles' posted at this URL: <https://echa.europa.eu/guidance-documents/guidance-on-reach>

Compatible Parts



TE Part # CAT-AM74-H3401I
HE13/HE14 IDC Receptacle, SRST,
AWG24-2



TE Part # 281787-5
PLUG HE13 IDC 180 5 P AWG 28-26



TE Part # CAT-AM74-H3401J
HE13/HE14 IDC Receptacle, DRST,
AWG24-2



TE Part # 281787-4
PLUG HE13 IDC 180 4 P AWG 28-26

Customers Also Bought




TE Part #154719-1
250 HSG. PL MKI REC. NAT



TE Part #1-160759-1
250 PL MKI REC. 20-15AWG PTBR



TE Part #3-640426-4
04P MTA156 CONN ASSY 18AWG
ORA



TE Part #640551-4
04P MTA156 COVER



TE Part #3-640599-4
04P MTA156 CONN ASSY 18AWG
ORA



TE Part #CAT-T4827-T273
TIMER, RECEPTACLE AND TAB



TE Part #963294-1
SINGLE WIRE SEAL INSULATION DI



TE Part #2-1633738-0
CRIMPER, WIRE F .063



ANVIL REPRESENTATION ONLY

TE Part #1803056-1
ANVIL, COMBINATION

Documents

[Product Drawings](#)
[PISTOL GRIP HANDLE](#)
German