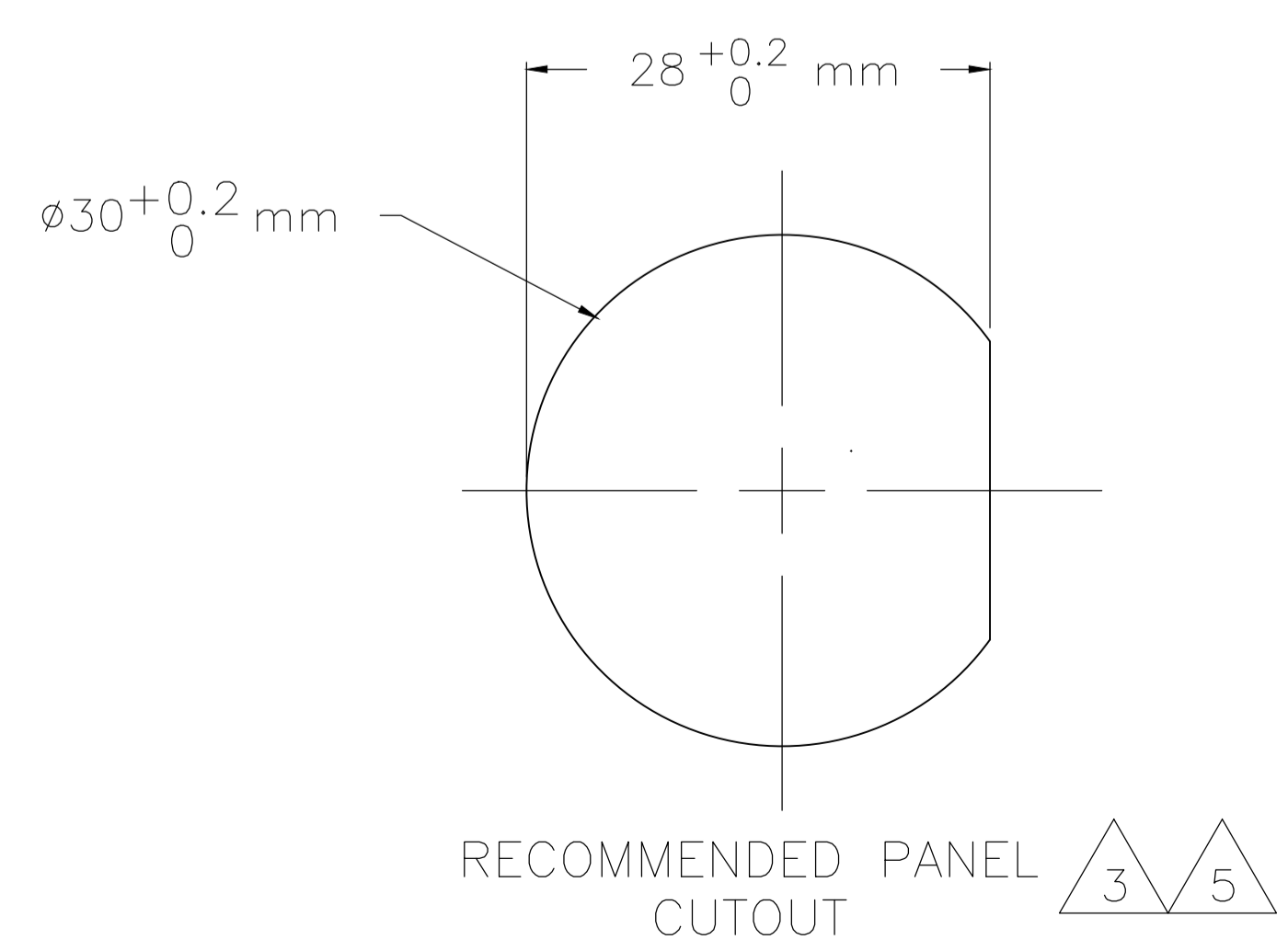
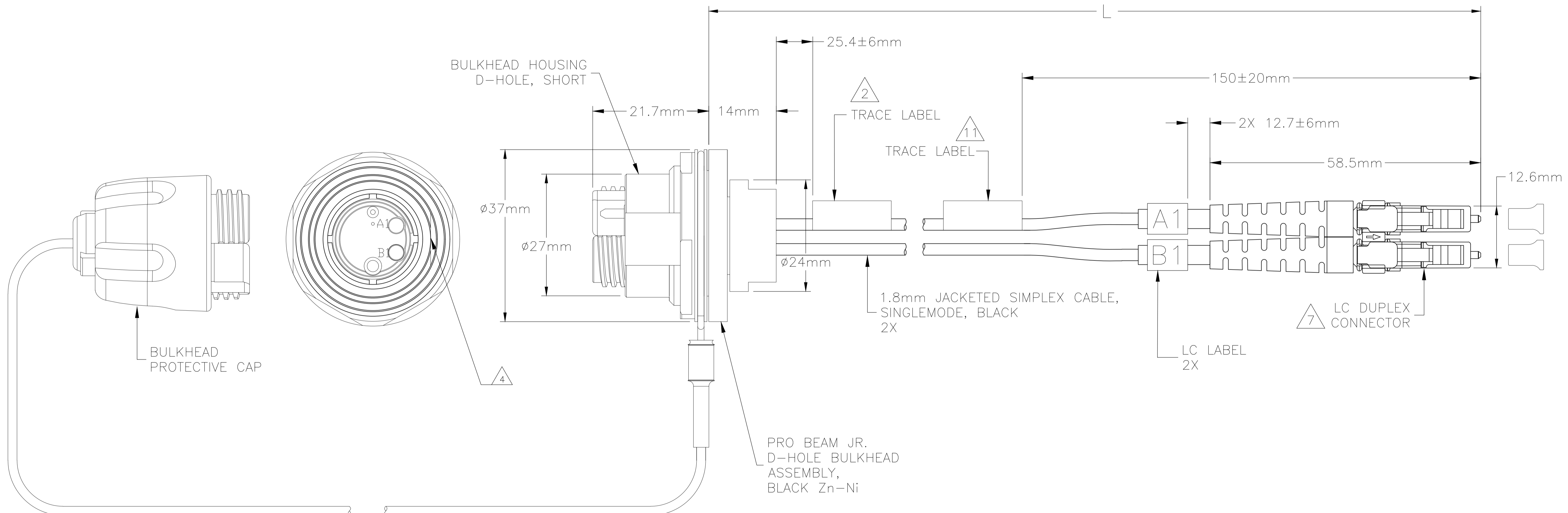


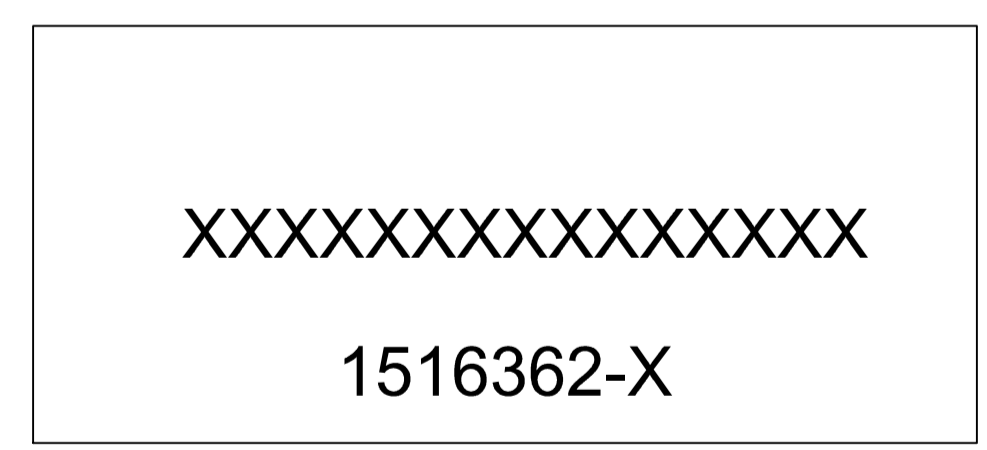
REVISIONS					
P	LTR	DESCRIPTION	DATE	DWN	APVD
H		ECR-18-001667	06FEB18	KG	DW

1. MAXIMUM CONNECTOR INSERTION LOSS: 1.50 dB PRO BEAM JR. END (1310nm)
0.50 dB LC DUPLEX END (1310nm)
2. MINIMUM CONNECTOR RETURN LOSS: 34 dB PRO BEAM JR. END (1310nm)
50 dB LC DUPLEX END (1310nm)
- 2 SEE TRACE LABEL DETAIL.
- 3 RECEPTACLE IS DESIGNED FOR REAR MOUNT.
- 4 FLAT ON BULKHEAD HOUSING WILL BE LOCATED ON A1, B1 SIDE OF INSERT.
- 5 PANEL SHOULD BE BETWEEN 1mm AND 6.5mm THICKNESS.
6. BULKHEAD ASSEMBLY DIFFERENTIAL PRESSURE HOLD: 1000mm Hg MINIMUM.
- 7 LC SM TIGHT JACKET CONNECTOR P/N: 2123524-1.
8. D-HOLE BULKHEAD HOUSING AND CAP IP-68 RATED.
9. HEX NUT REQUIRES 34mm WRENCH AND TORQUE TO 40NM.
10. CABLE ASSEMBLY OPERATIONAL TEMPERATURE RATING IS -40°C TO 85°C.
- 11 TRACE LABEL WITHOUT ANY INFORMATION.



PRO BEAM JR. POSITION	LC LABEL
A1	A1
B1	B1

FIBER PATH CHART



TRACE LABEL DETAIL 2

} TE CONNECTIVITY TRACE NO.
} TE CONNECTIVITY P/N

3048±150 [120±6]	1516362-3
444.5±51 [17.5±2]	1516362-2
914.4±51 [36±2]	1516362-1
L	PART NUMBER

THIS DRAWING IS A CONTROLLED DOCUMENT.		DIN K. GLATFELTER 13OCT2011		D. WERTMAN 13OCT2011		D. WERTMAN 13OCT2011		NAME		CABLE ASSEMBLY, FO, 2 FIB, SM PRO BEAM JR. D-HOLE BULKHEAD TO LC DUPLEX	
DIMENSIONS: mm [INCHES]		TOLERANCES UNLESS OTHERWISE SPECIFIED:		0. PLC ± -		1. PLC ± -		2. PLC ± -		3. PLC ± -	
MATERIAL		FINISH		WEIGHT 0.000000		A1 00779		SCALE NTS		SHEET 1 of 1 REV H	