

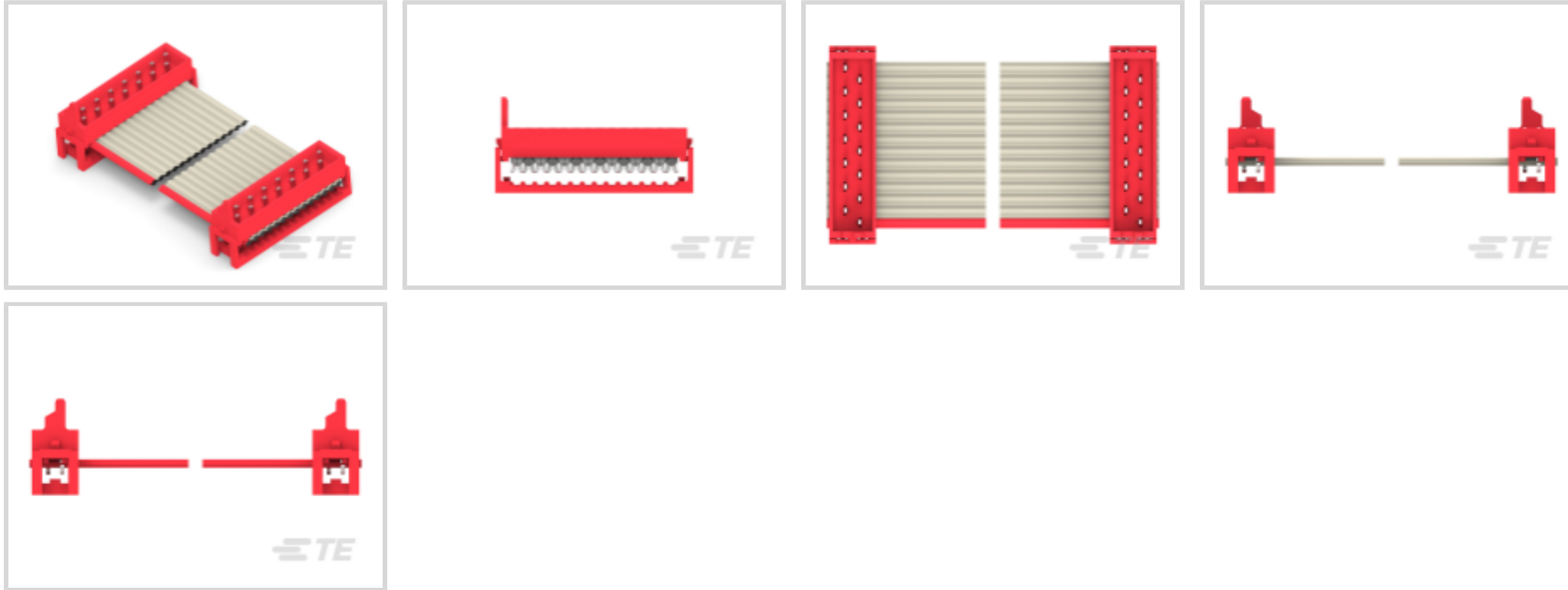


TE Internal #: 1483355-1

Micro Match Cable Assembly, 14 Position, .1 m [.328 ft], .089 mm<sup>2</sup> Wire, Gray Cable, Double Ended, Micro Match Plug End A, Micro Match Plug End B

[View on TE.com >](#)

Cable Assemblies > Copper Cable Assemblies > Power Cable Assemblies



Cable Assembly Configuration: **Double Ended**

Wire Size: **.089 mm<sup>2</sup>**

Outside Cable Diameter: **.93 mm [.036 in]**

Cable Assembly Length: **.1 m [.328 ft]**

Cable Color: **Gray**

## Features

### Product Type Features

Cable Assembly Category	Industry Standard
Cable Assembly Type	Micro Match
Cable Assembly (End A)	Micro Match Plug
Cable Assembly (End B)	Micro Match Plug

### Configuration Features

Number of Power Positions	0
Number of Positions	14

### Body Features

Equalized	Yes
Cable Color	Gray
Connector Color (End A)	Red
Connector Color (End B)	Red

### Mechanical Attachment

Mating Alignment Type	Keyed
-----------------------	-------



### Housing Features

Housing Material	PBT GF20
------------------	----------

### Dimensions

Wire Size	28 AWG
Outside Cable Diameter	.93 mm[.036 in]

### Usage Conditions

Operating Temperature Range	-40 – 105 °C[-40 – 221 °F]
-----------------------------	----------------------------

### Other

Cable Assembly Configuration	Double Ended
Cable Assembly Length	.1 m[.328 ft]

### Product Compliance

[For compliance documentation, visit the product page on TE.com>](#)

EU RoHS Directive 2011/65/EU	Compliant
EU ELV Directive 2000/53/EC	Compliant
China RoHS 2 Directive MIIT Order No 32, 2016	No Restricted Materials Above Threshold
EU REACH Regulation (EC) No. 1907/2006	Current ECHA Candidate List: JAN 2025 (247) Candidate List Declared Against: JAN 2025 (247) Does not contain REACH SVHC
Halogen Content	Not Low Halogen - contains Br or Cl > 900 ppm.
Solder Process Capability	Not applicable for solder process capability

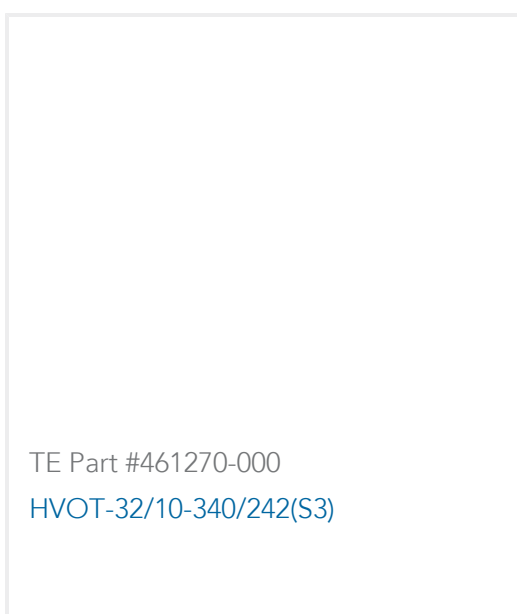
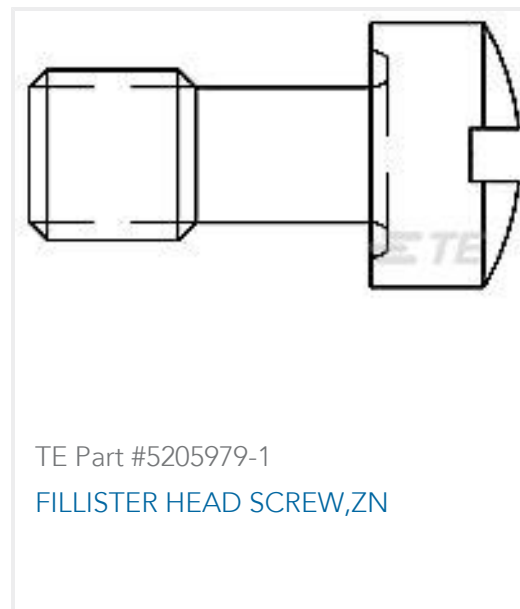
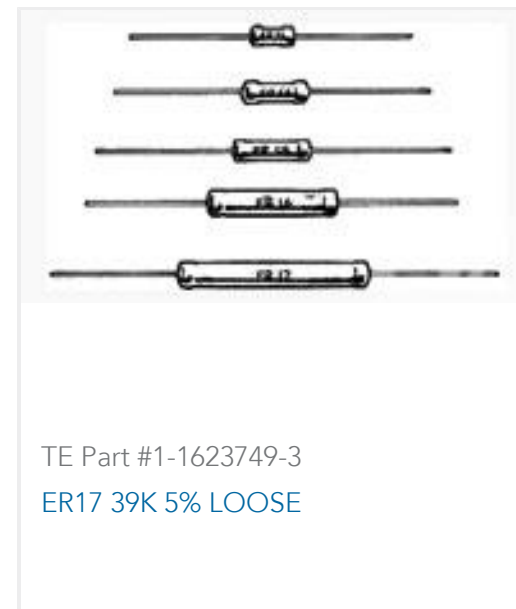
#### Product Compliance Disclaimer

This information is provided based on reasonable inquiry of our suppliers and represents our current actual knowledge based on the information they provided. This information is subject to change. The part numbers that TE has identified as EU RoHS compliant have a maximum concentration of 0.1% by weight in homogenous materials for lead, hexavalent chromium, mercury, PBB, PBDE, DBP, BBP, DEHP, DIBP, and 0.01% for cadmium, or qualify for an exemption to these limits as defined in the Annexes of Directive 2011/65/EU (RoHS2). Finished electrical and electronic equipment products will be CE marked as required by Directive 2011/65/EU. Components may not be CE marked. Additionally, the part numbers that TE has identified as EU ELV compliant have a maximum concentration of 0.1% by weight in homogenous materials for lead, hexavalent chromium, and mercury, and 0.01% for cadmium, or qualify for an exemption to these limits as defined in the Annexes of Directive 2000/53/EC (ELV). Regarding the REACH Regulation, the information TE provides on SVHC in articles for this part number is based on the latest European Chemicals Agency (ECHA) 'Guidance on requirements for substances in articles' posted at this URL: <https://echa.europa.eu/guidance-documents/guidance-on-reach>

### Compatible Parts



### Customers Also Bought



### Documents

#### Product Drawings

[MICRO-MATCH LEAD 14P 100MM](#)

English

#### CAD Files

[3D PDF](#)

3D

[Customer View Model](#)

[ENG\\_CVM\\_CVM\\_1483355-1\\_A\\_c-1483355-1-a.2d\\_dxf.zip](#)

1483355-1

Micro Match Cable Assembly, 14 Position, .1 m [.328 ft], .089 mm<sup>2</sup> Wire, Gray Cable, Double Ended, Micro Match Plug End A, Micro Match Plug End B



English

**Customer View Model**

[ENG\\_CVM\\_CVM\\_1483355-1\\_A\\_c-1483355-1-a.3d\\_igs.zip](#)

English

**Customer View Model**

[ENG\\_CVM\\_CVM\\_1483355-1\\_A\\_c-1483355-1-a.3d\\_stp.zip](#)

English

By downloading the CAD file I accept and agree to the [Terms and Conditions](#) of use.