

1452317-1 ✓ ACTIVE

AMP | Junior Power Timer

TE Internal #: 1452317-1

Black, Cover, PA 6, -40 – 105 °C [-40 – 221 °F], Junior Power Timer

[View on TE.com >](#)



Automotive Parts > Automotive Connector Accessories > Automotive Connector Caps & Covers



Primary Product Color: **Black**

Protection & Strain Relief Accessory Type: **Cover**

Primary Product Material: **PA 6**

Strain Relief: **Without**

Operating Temperature (Max): **105 °C [221 °F]**

Features

Product Type Features

Sealable	No
Protection & Strain Relief Accessory Type	Cover

Body Features

Primary Product Color	Black
Primary Product Material	PA 6

Mechanical Attachment

Strain Relief	Without
---------------	---------

Dimensions

Compatible Cable Bundle Diameter Range	15 mm [.591 in]
--	-----------------

Usage Conditions

Operating Temperature (Max)	105 °C [221 °F]
Operating Temperature Range	-40 – 105 °C [-40 – 221 °F]

Industry Standards

UL Flammability Rating	UL 94HB
------------------------	---------



Packaging Features

Packaging Method	Carton
Packaging Quantity	350

Other

Serviceable	Yes
-------------	-----

Product Compliance

[For compliance documentation, visit the product page on TE.com>](#)

EU RoHS Directive 2011/65/EU	Compliant
EU ELV Directive 2000/53/EC	Compliant
China RoHS 2 Directive MIIT Order No 32, 2016	No Restricted Materials Above Threshold
EU REACH Regulation (EC) No. 1907/2006	Current ECHA Candidate List: JAN 2025 (247) Candidate List Declared Against: JAN 2025 (247) Does not contain REACH SVHC
Halogen Content	Low Halogen - Br, Cl, F, I < 900 ppm per homogenous material. Also BFR/CFR/PVC Free
Solder Process Capability	Not applicable for solder process capability

Product Compliance Disclaimer

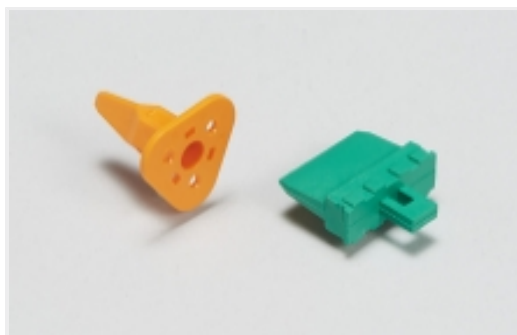
This information is provided based on reasonable inquiry of our suppliers and represents our current actual knowledge based on the information they provided. This information is subject to change. The part numbers that TE has identified as EU RoHS compliant have a maximum concentration of 0.1% by weight in homogenous materials for lead, hexavalent chromium, mercury, PBB, PBDE, DBP, BBP, DEHP, DIBP, and 0.01% for cadmium, or qualify for an exemption to these limits as defined in the Annexes of Directive 2011/65/EU (RoHS2). Finished electrical and electronic equipment products will be CE marked as required by Directive 2011/65/EU. Components may not be CE marked. Additionally, the part numbers that TE has identified as EU ELV compliant have a maximum concentration of 0.1% by weight in homogenous materials for lead, hexavalent chromium, and mercury, and 0.01% for cadmium, or qualify for an exemption to these limits as defined in the Annexes of Directive 2000/53/EC (ELV). Regarding the REACH Regulation, the information TE provides on SVHC in articles for this part number is based on the latest European Chemicals Agency (ECHA) 'Guidance on requirements for substances in articles' posted at this URL: <https://echa.europa.eu/guidance-documents/guidance-on-reach>

Compatible Parts



TE Part # CAT-T4827-CH8172
Timer Connector Housing

Also in the Series | Junior Power Timer



Automotive Connector Locks & Position Assurance(8)



Automotive Housings(283)



Automotive Seals & Cavity Plugs(9)



Automotive Signal & Power Connector Housings(279)

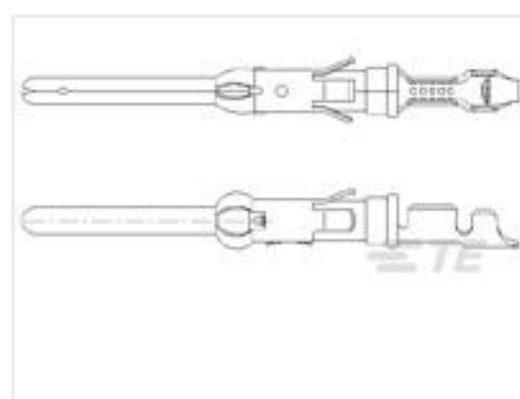


Other Automotive Connector Accessories(3)

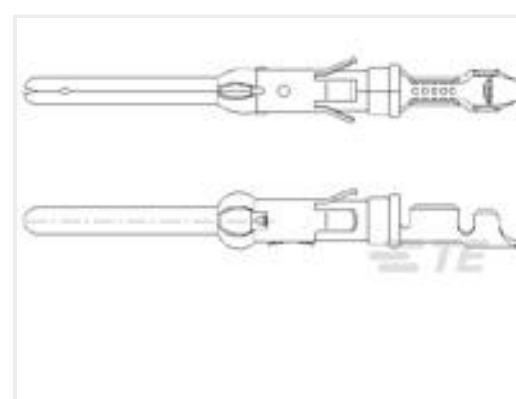
Customers Also Bought



TE Part #CKA268N00450051000
940 EXTENSION, SPEEDTEC-READY



TE Part #163081-7
.062 DIA PIN ASSY 3+



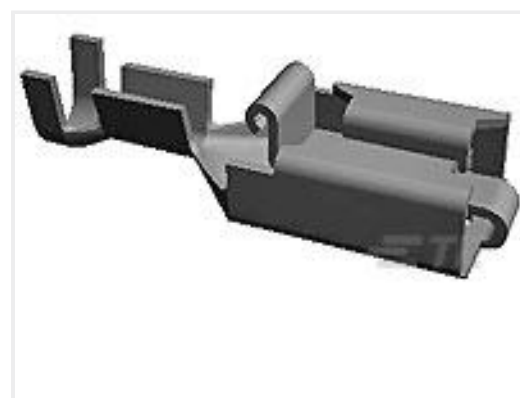
TE Part #163085-8
.062 DIA PIN ASS 3+



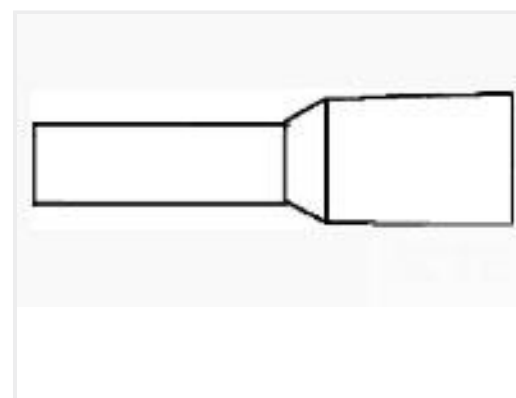
TE Part #164161-3
M-SRS.PIN BODY 3+



TE Part #1-776261-1
14POS,PIN DIA 1.3,HDR ASSY,
180DEG,COD 1



TE Part #927855-6
PL RECEPTACLE 1.0-2.5 MM2 PTP
CUSN 30



TE Part #2-966067-0
FER,WIRE,PL SLV,4.00/12,L12,GREY,LP



TE Part #9-1452380-9
96 POS. CONNECTOR ASSY



TE Part #4-1746741-4
RITS CONN. SOCKET ASSY 4P GREEN



TE Part #C0-0258-000-000
POSITIONING INSERT FOR 1 MM CONTACTS

Documents

Product Drawings

[COVER F.16P JPT HSG](#)

English

CAD Files

[3D PDF](#)

3D

Customer View Model

[ENG_CVM_CVM_1452317-1_A.2d_dxf.zip](#)

English

Customer View Model

[ENG_CVM_CVM_1452317-1_A.3d_igs.zip](#)

English

Customer View Model

[ENG_CVM_CVM_1452317-1_A.3d_stp.zip](#)

English

By downloading the CAD file I accept and agree to the [Terms and Conditions](#) of use.

Product Specifications

[Product Specification](#)

German