

1452303-1 ✓ ACTIVE

AMP | AMP MCP 1.5K, AMP MCP 2.8, AMP MCP Connector System

TE Internal #: 1452303-1

12 Position Housing, Housing for Male Terminals, Wire-to-Wire, 5.7 mm / 6.7 mm [.22 in / .26 in] Centerline, Black, Wire & Cable, Hybrid

[View on TE.com >](#)



Automotive Parts > Automotive Connectors > Automotive Housings



Connector & Housing Type: **Housing for Male Terminals**

Number of Positions: **12**

Sealable: **No**

Number of Rows: **3**

Connector Position Assurance Capable: **No**

## Features

### Product Type Features

Mixed & Hybrid Connector	Yes
Connector Shape	Rectangular
Connector & Housing Type	Housing for Male Terminals
Sealable	No
Primary Locking Feature	Integrated in Housing
Connector System	Wire-to-Wire
Connector & Contact Terminates To	Wire & Cable

### Configuration Features

Number of Positions	12
Number of Rows	3

### Electrical Characteristics

Nominal Voltage Architecture	12 V
------------------------------	------

### Body Features

Cable Exit Angle	180°
------------------	------



Primary Product Color	Black
-----------------------	-------

Connector & Keying Code	A
-------------------------	---

### Contact Features

Contact Size	1.5mm, 2.8mm
--------------	--------------

Contact Type	Tab
--------------	-----

Mating Tab Width	1.5 mm, 2.8 mm [.06 in][.11 in]
------------------	---------------------------------

### Mechanical Attachment

Strain Relief	Without
---------------	---------

Terminal Position Assurance	No
-----------------------------	----

Mating Alignment Type	Keyed
-----------------------	-------

Mating Alignment	With
------------------	------

Connector Mounting Type	Cable Mount (Free-Hanging)
-------------------------	----------------------------

### Housing Features

Housing Material	PBT GF20
------------------	----------

Centerline (Pitch)	5.7 mm, 6.7 mm [.22 in][.26 in]
--------------------	---------------------------------

### Dimensions

Row-to-Row Spacing	5.75 mm [.23 in]
--------------------	------------------

Product Width	45.9 mm [1.81 in]
---------------	-------------------

Product Length	31.8 mm [1.25 in]
----------------	-------------------

Connector Height	29.55 mm [1.16 in]
------------------	--------------------

### Operation/Application

Circuit Application	Power & Signal
---------------------	----------------

### Other

Serviceable	No
-------------	----

Connector Position Assurance Capable	No
--------------------------------------	----

### Product Compliance

[For compliance documentation, visit the product page on TE.com>](#)

EU RoHS Directive 2011/65/EU	Compliant
------------------------------	-----------

EU ELV Directive 2000/53/EC	Compliant
-----------------------------	-----------

China RoHS 2 Directive MIIT Order No 32, 2016	No Restricted Materials Above Threshold
---	---

EU REACH Regulation (EC) No. 1907/2006	
--	--



Current ECHA Candidate List: JAN 2025  
(247)  
Candidate List Declared Against: JAN 2025  
(247)  
Does not contain REACH SVHC

Halogen Content  
BFR/CFR/PVC Free, but Br/Cl >900 ppm in other sources.

Solder Process Capability  
Not applicable for solder process capability


Product Compliance Disclaimer

This information is provided based on reasonable inquiry of our suppliers and represents our current actual knowledge based on the information they provided. This information is subject to change. The part numbers that TE has identified as EU RoHS compliant have a maximum concentration of 0.1% by weight in homogenous materials for lead, hexavalent chromium, mercury, PBB, PBDE, DBP, BBP, DEHP, DIBP, and 0.01% for cadmium, or qualify for an exemption to these limits as defined in the Annexes of Directive 2011/65/EU (RoHS2). Finished electrical and electronic equipment products will be CE marked as required by Directive 2011/65/EU. Components may not be CE marked. Additionally, the part numbers that TE has identified as EU ELV compliant have a maximum concentration of 0.1% by weight in homogenous materials for lead, hexavalent chromium, and mercury, and 0.01% for cadmium, or qualify for an exemption to these limits as defined in the Annexes of Directive 2000/53/EC (ELV). Regarding the REACH Regulation, the information TE provides on SVHC in articles for this part number is based on the latest European Chemicals Agency (ECHA) 'Guidance on requirements for substances in articles' posted at this URL: <https://echa.europa.eu/guidance-documents/guidance-on-reach>

### Compatible Parts



TE Part # 1-1670400-1  
12 POS MIXED RECEPTACLE  
HOUSING CODA



TE Part # 1452304-1  
INL:R.BUM.MAL HSG12



TE Part # 1-1670400-2  
12 POS MIXED RECEPTACLE  
HOUSING CODA



TE Part # 1452303-2  
INL:R.BUM.MAL HSG12

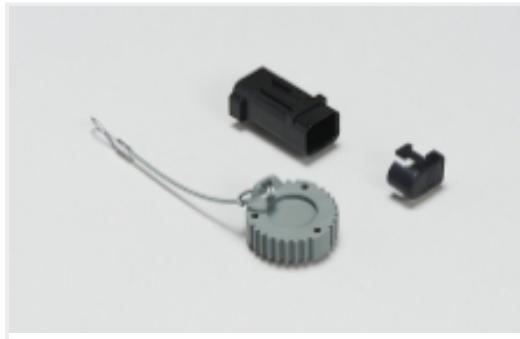


TE Part # 2-1452299-1  
12 POS REAR BUMPER CONN

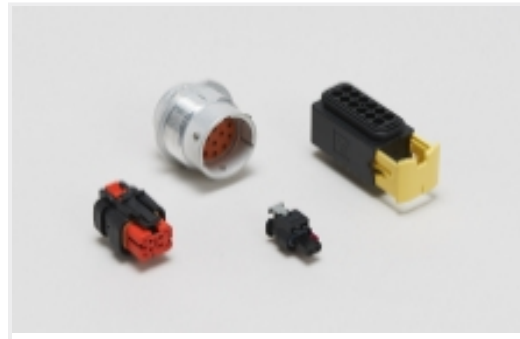


TE Part # 1452299-1  
FEM HSG INLI.ASY12P

Also in the Series | **AMP MCP 1.5K**



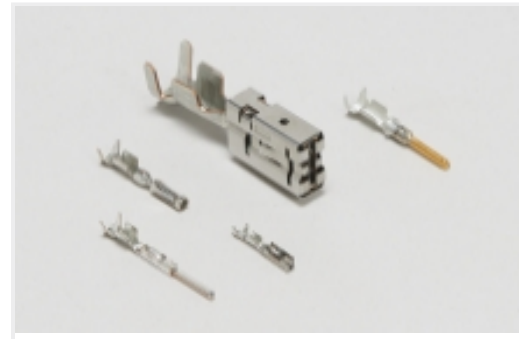
Automotive Connector Caps & Covers (25)



Automotive Housings(257)

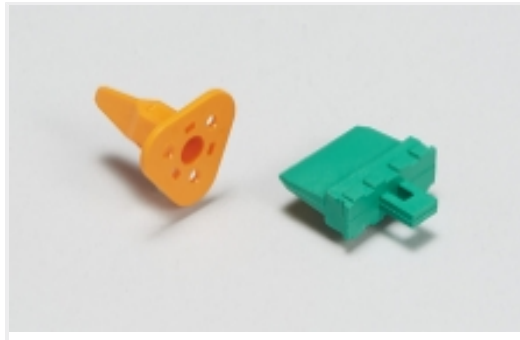


Automotive Signal & Power Connector Housings(103)



Automotive Terminals(7)

Also in the Series | **AMP MCP 2.8**



Automotive Connector Locks & Position Assurance(4)



Automotive Housings(257)



Automotive Seals & Cavity Plugs(6)

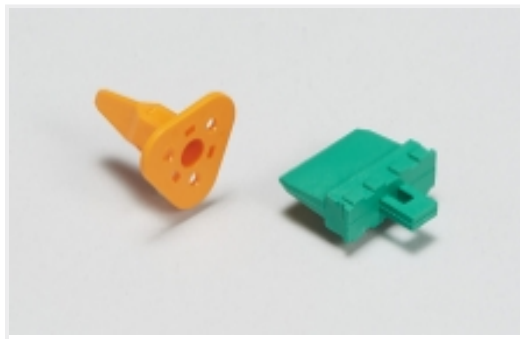


Automotive Signal & Power Connector Housings(103)

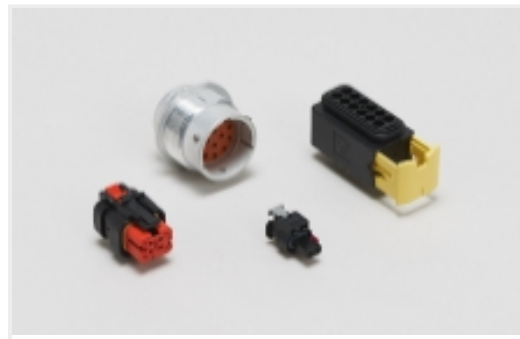


Other Automotive Connector Accessories(3)

Also in the Series | **AMP MCP Connector System**



Automotive Connector Locks & Position Assurance(4)



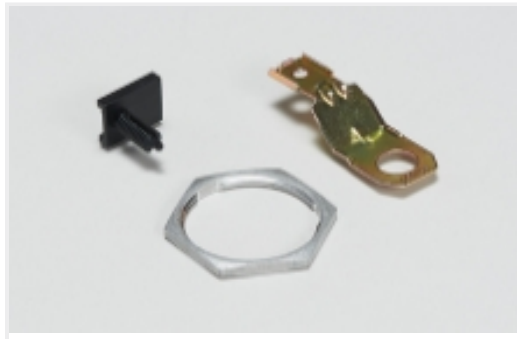
Automotive Housings(257)



Automotive Seals & Cavity Plugs(6)



Automotive Signal & Power Connector Housings(103)

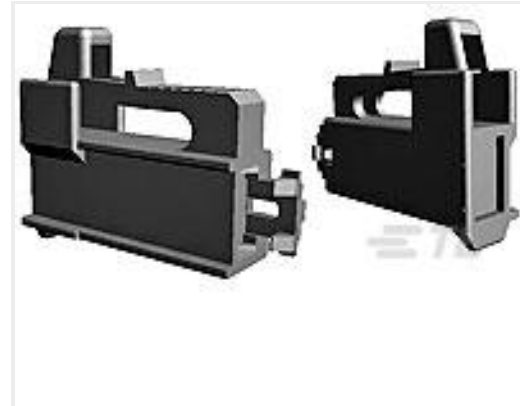


Other Automotive Connector Accessories(3)

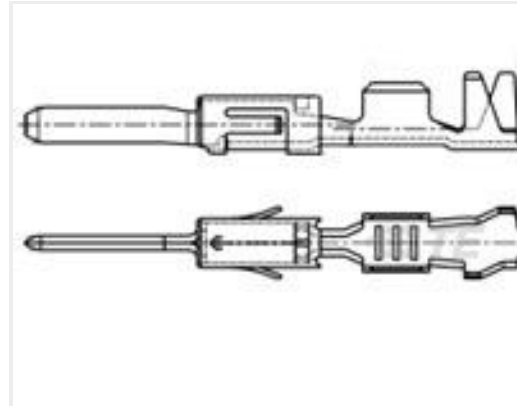
## Customers Also Bought



TE Part #174090-2  
PL .250 (6.3 MM) HOUSING



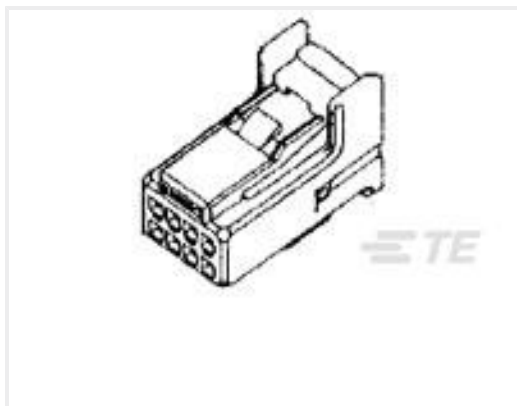
TE Part #178471-2  
DOUBLE LOCK CONNECTOR 250 ASSEMBLY



TE Part #963900-2  
TAB A 1.6x0.6 CONTACT CF SRC Sn ASSEMBLY



TE Part #CAT-A11-T273  
1.5/2.8 CONNECTOR SYSTEM, RECPT AND TAB



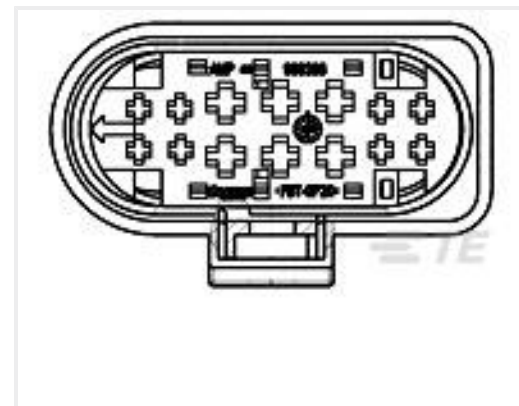
TE Part #1376352-1  
025 I/O PLUG HSG ASSY 8P



TE Part #1-1670921-1  
5POS, MCON 1.2 LL REC SEALED



TE Part #2-1718644-1  
3POS, MCON 1.2 LL REC SEALED



TE Part #1719105-2  
14POS,JPT,REC. HSG



TE Part #1-2203775-1  
5POS, MCON 1.2 CB REC 1p TL SEALED

## Documents

### Product Drawings

[INL:R.BUM.MAL HSG12](#)

English

### CAD Files

Customer View Model

[ENG\\_CVM\\_CVM\\_1452303-1\\_E.2d\\_dxf.zip](#)

English

[3D PDF](#)



3D

Customer View Model

[ENG\\_CVM\\_CVM\\_1452303-1\\_E.3d\\_igs.zip](#)

English

Customer View Model

[ENG\\_CVM\\_CVM\\_1452303-1\\_E.3d\\_stp.zip](#)

English

By downloading the CAD file I accept and agree to the [Terms and Conditions](#) of use.

**Product Specifications**

[Application Specification](#)

English