



Product Compliance

[For compliance documentation, visit the product page on TE.com>](#)

EU RoHS Directive 2011/65/EU	Compliant
EU ELV Directive 2000/53/EC	Compliant
China RoHS 2 Directive MIIT Order No 32, 2016	No Restricted Materials Above Threshold
EU REACH Regulation (EC) No. 1907/2006	Current ECHA Candidate List: JAN 2025 (247) Candidate List Declared Against: JAN 2025 (247) Does not contain REACH SVHC
Halogen Content	Low Halogen - Br, Cl, F, I < 900 ppm per homogenous material. Also BFR/CFR/PVC Free
Solder Process Capability	Not applicable for solder process capability

Product Compliance Disclaimer

This information is provided based on reasonable inquiry of our suppliers and represents our current actual knowledge based on the information they provided. This information is subject to change. The part numbers that TE has identified as EU RoHS compliant have a maximum concentration of 0.1% by weight in homogenous materials for lead, hexavalent chromium, mercury, PBB, PBDE, DBP, BBP, DEHP, DIBP, and 0.01% for cadmium, or qualify for an exemption to these limits as defined in the Annexes of Directive 2011/65/EU (RoHS2). Finished electrical and electronic equipment products will be CE marked as required by Directive 2011/65/EU. Components may not be CE marked. Additionally, the part numbers that TE has identified as EU ELV compliant have a maximum concentration of 0.1% by weight in homogenous materials for lead, hexavalent chromium, and mercury, and 0.01% for cadmium, or qualify for an exemption to these limits as defined in the Annexes of Directive 2000/53/EC (ELV). Regarding the REACH Regulation, the information TE provides on SVHC in articles for this part number is based on the latest European Chemicals Agency (ECHA) 'Guidance on requirements for substances in articles' posted at this URL: <https://echa.europa.eu/guidance-documents/guidance-on-reach>

Compatible Parts

TE Part # 2266955-2
[OCEAN_2.0_APPLICATOR-S-046F-RSA](#)

TE Part # 2819385-4
[COAX,CABLE ASSY,RG 59 MINI](#)

TE Part # 2266776-2
[OCEAN_2.0_APPLICATOR-S-042F-SSA](#)


TE Part # 2266775-1
[OCEAN_2.0_APPLICATOR-S-046F-RSM](#)



TE Part # 2266955-1
OCEAN_2.0_APPLICATION-S-046F-RSM



TE Part # 5-1438911-7
JACK KIT, UNASSEM, 1 POS, KEY F, CLP SLT



TE Part # 1438911-2
JACK KIT, UNASSEM, 1 POS, W /BODY CLIP, R



TE Part # 2151839-1
OCEAN-2.0-APPLICATION-S-047F-SSM



KIT
REPRESENTATION ONLY

TE Part # 7-2151839-7
OCEAN_2.0_SPARE_PART_KIT-047F



TE Part # 2305570-1
Strip Terminal Cutter-Side Feed-No Crimp



TE Part # 2819381-4
ANTENNA CABLE FAKRA RG174LL



TE Part # 2266775-2
OCEAN_2.0_APPLICATION-S-046F-RSA



TE Part # 2266776-1
OCEAN_2.0_APPLICATION-S-042F-SSM

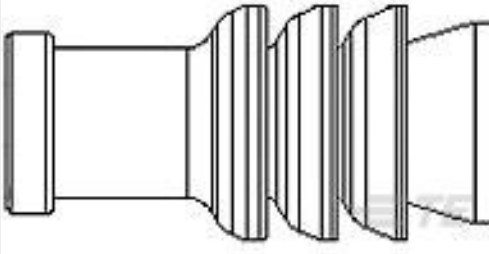


TE Part # 2151839-2
OCEAN-2.0-APPLICATION-S-047FA-SSA

Customers Also Bought




TE Part #154717-6
PL 250 REC TERMINAL 14-11 AWG PTPB



TE Part #967067-1
MQS SGL WIRE SEAL



TE Part #1-1718645-1
4POS, MCON 1.2 LL REC SEALED



TE Part #2298121-1
MATE-AX, Socket center contact, RTK 031



TE Part #2298123-1
MATE-AX, Pin outer contact, RTK 031



TE Part #2298125-1
MATE-AX, Pin center contact, RTK 031



TE Part #2377975-2
FERRULE 180 DEGREE, MATE-AX, RTK044



TE Part #1488167-1
FERRULE, RTK031, 180 GRAD



Documents

Product Drawings

[PIN CONTACT, JACK, 180 DEGREE, SMB](#)

English

CAD Files

Customer View Model

[ENG_CVM_CVM_1438890-8_D.2d_dxf.zip](#)

English

[3D PDF](#)

3D

Customer View Model

[ENG_CVM_CVM_1438890-8_D.3d_igs.zip](#)

English

Customer View Model

[ENG_CVM_CVM_1438890-8_D.3d_stp.zip](#)

English

By downloading the CAD file I accept and agree to the [Terms and Conditions](#) of use.

Product Specifications

[Application Specification](#)

English