

3,5MM PLUG-IN CONNECTORS WITH CAGE CLAMP SERIES B52C3

PHYSICAL PROPERTIES

Housing:

HOUSING MATERIAL: Polybutylene terephthalate (PBTP), GV 20

FLAMMABILITY: UL94V-0

COLOR: Blue or Black

Terminal:

CAGE CLAMP: Brass, tin plated

WIRE ENTRY CONTACT AND SPRING: Bronze, tin plated

SCREW: M2 x 4,8mm, steel, zinc plated, yellow chromate treated

Mechanical:

PITCH (TERMINAL SPACING): 3,5mm and 7mm

WIRE STRIP LENGTH: 6,5mm - 7mm

RECOMMENDED TIGHTENING TORQUE: 0.34N (3.0 in-lbs)

ELECTRICAL PROPERTIES

MAXIMUM CURRENT: 8A

OPERATING VOLTAGE: 300V

WIRE RANGE: 14-22 AWG

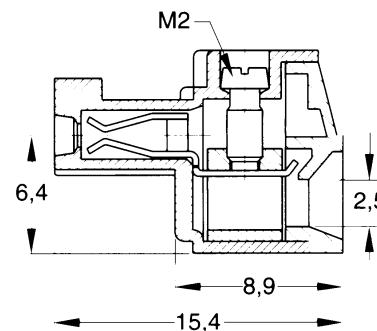
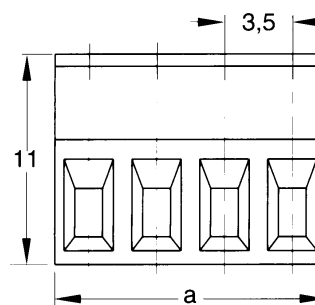
ENVIRONMENTAL PROPERTIES

OPERATING TEMPERATURE RANGE: -30°C to +105°C



3,5mm and 7mm Pitch

B52C3U (universal mounting)



Ordering Information

# OF TERMINALS	3.5MM UNIVERSAL	7MM UNIVERSAL
2	B52C3U02T	B52C7U02T
3	B52C3U03T	B52C7U03T
4	B52C3U04T	B52C7U04T
5	B52C3U05T	B52C7U05T
6	B52C3U06T	B52C7U06T
7	B52C3U07T	—
8	B52C3U08T	—
9	B52C3U09T	—
10	B52C3U10T	—
11	B52C3U11T	—
12	B52C3U12T	—

NOTE: Add "B" suffix for black color. Minimum order 5000 pieces.

3,5MM SHROUDED CLOSED-END HEADERS (FOR SERIES B52C3 CONNECTORS) SERIES B73N3

PHYSICAL PROPERTIES

Housing:

HOUSING MATERIAL: Polybutylene terephthalate (PBTP), GV20

FLAMMABILITY: UL94V-0

COLOR: Blue or Black

Terminal:

SOLDER PIN: Brass, tin plated

Mechanical:

PITCH (TERMINAL SPACING): 3,5mm and 7mm

RECOMMENDED PCB HOLE DIA.: 1,2mm

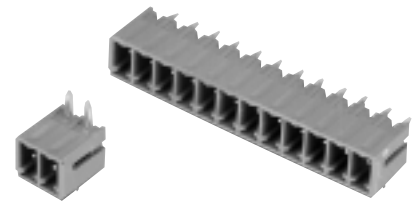
ELECTRICAL PROPERTIES

MAXIMUM CURRENT: 8A

OPERATING VOLTAGE: 300V

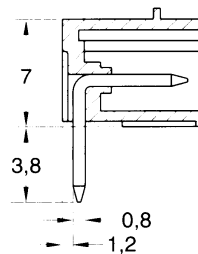
ENVIRONMENTAL PROPERTIES

OPERATING TEMPERATURE RANGE: -30°C to +105°C

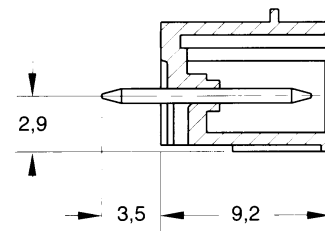


3,5mm and 7mm Pitch

B73N3H (horizontal solder pins)

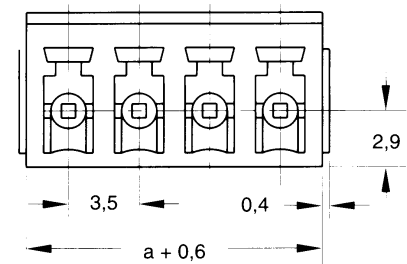


B73N3V (vertical solder pins)



Ordering Information

# OF TERMINALS	3,5MM VERTICAL	3,5MM HORIZONTAL	7MM VERTICAL	7MM HORIZONTAL
2	B73N3V02T	B73N3H02T	B73N7V02T	B73N7H02T
3	B73N3V03T	B73N3H03T	B73N7V03T	B73N7H03T
4	B73N3V04T	B73N3H04T	B73N7V04T	B73N7H04T
5	B73N3V05T	B73N3H05T	B73N7V05T	B73N7H05T
6	B73N3V06T	B73N3H06T	B73N7V06T	B73N7H06T
7	B73N3V07T	B73N3H07T	B73N7V07T	B73N7H07T
8	B73N3V08T	B73N3H08T	B73N7V08T	B73N7H08T
9	B73N3V09T	B73N3H09T	B73N7V09T	B73N7H09T
10	B73N3V10T	B73N3H10T	B73N7V10T	B73N7H10T
11	B73N3V11T	B73N3H11T	B73N7V11T	B73N7H11T
12	B73N3V12T	B73N3H12T	B73N7V12T	B73N7H12T
13	B73N3V13T	B73N3H13T	—	—
14	B73N3V14T	B73N3H14T	—	—
15	B73N3V15T	B73N3H15T	—	—
16	B73N3V16T	B73N3H16T	—	—
17	B73N3V17T	B73N3H17T	—	—
18	B73N3V18T	B73N3H18T	—	—
19	B73N3V19T	B73N3H19T	—	—
20	B73N3V20T	B73N3H20T	—	—
21	B73N3V21T	B73N3H21T	—	—
22	B73N3V22T	B73N3H22T	—	—
23	B73N3V23T	B73N3H23T	—	—
24	B73N3V24T	B73N3H24T	—	—



(N= Number of Terminals)
3,5mm Headers:
 $a = N \times 3,5$

NOTE: Add "B" suffix for black color. Minimum order 5000 pieces.