

1376393-2 ✓ ACTIVE



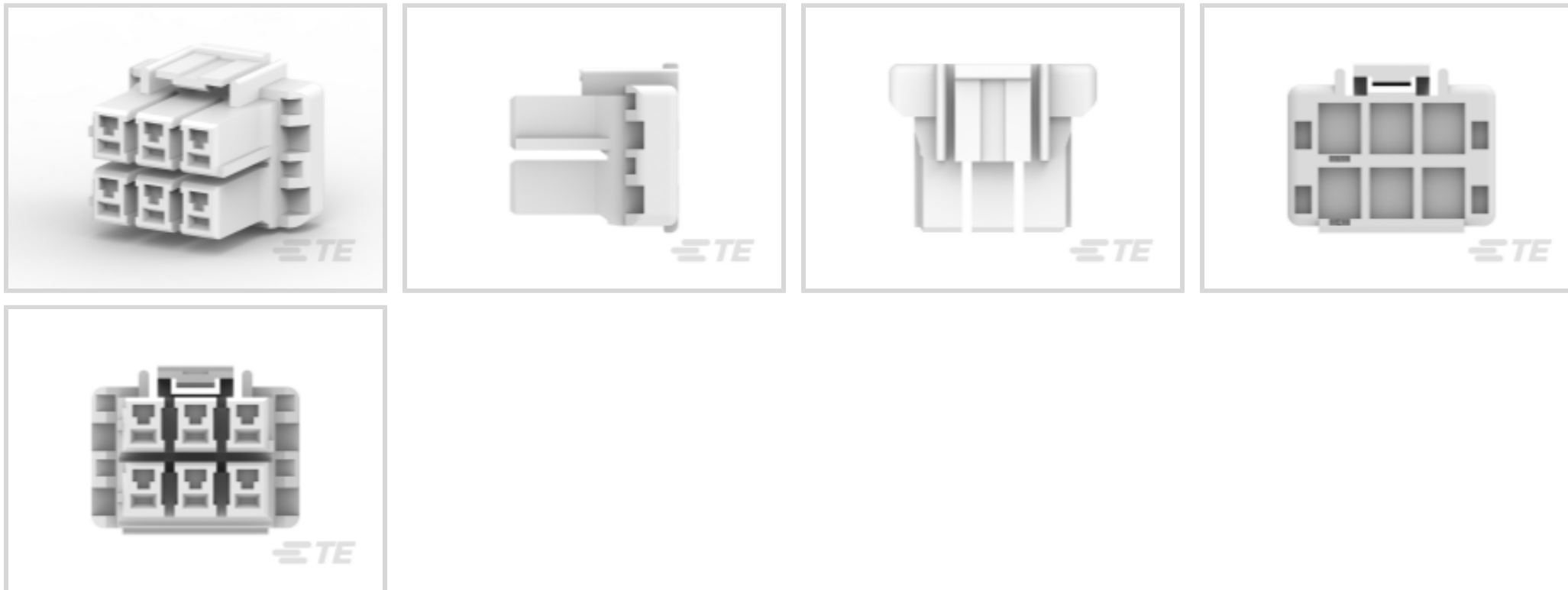
### Power Key 5.0

TE Internal #: 1376393-2

6 Position, Plug, Housing, Crimp, Wire-to-Board, UL 94V-0, 5 mm [.197 in] Centerline, 2 Row, 300 VAC, Wire & Cable, Power & Signal, Power Key 5.0

[View on TE.com >](#)

Connectors > Rectangular Connectors > Standard Rectangular Connectors > STD Temp Power Key Plug



Connector Product Type: **Housing**

Connector & Housing Type: **Plug**

Connector System: **Wire-to-Board**

Contact Retention Within Housing: **Without**

UL Flammability Rating: **UL 94V-0**

[All STD Temp Power Key Plug \(34\)](#)

## Features

### Product Type Features

Connector Product Type	Housing
Connector & Housing Type	Plug
Connector System	Wire-to-Board
Sealable	No
Connector & Contact Terminates To	Wire & Cable

### Configuration Features

Number of Positions	6
Number of Rows	2

### Electrical Characteristics

Operating Voltage	300 VAC
-------------------	---------

### Body Features

Primary Product Color	Natural
-----------------------	---------



### Contact Features

Contact Retention Within Housing	Without
Contact Type	Receptacle

### Termination Features

Termination Method to Wire & Cable	Crimp
------------------------------------	-------

### Mechanical Attachment

Connector Mounting Type	Cable Mount (Free-Hanging)
-------------------------	----------------------------

### Housing Features

Centerline (Pitch)	5 mm [.197 in]
Housing Material	Nylon 6/6 GF

### Dimensions

Row-to-Row Spacing	6.2 mm [.244 in]
--------------------	------------------

### Usage Conditions

Operating Temperature Range	-40 – 105 °C [-40 – 221 °F]
-----------------------------	-----------------------------

### Operation/Application

Circuit Application	Power & Signal
---------------------	----------------

### Industry Standards

Compatible With Agency/Standards Products	UL
UL Flammability Rating	UL 94V-0
Glow Wire Rating	Standard Part - Not Glow Wire

### Packaging Features

Packaging Method	Bag
------------------	-----

### Product Compliance

For compliance documentation, visit the product page on [TE.com](https://www.te.com)>

EU RoHS Directive 2011/65/EU	Compliant
EU ELV Directive 2000/53/EC	Compliant
China RoHS 2 Directive MIIT Order No 32, 2016	有害物质含量符合标准要求 No Restricted Substance(s) Above Threshold
EU REACH Regulation (EC) No. 1907/2006	Current ECHA Candidate List: JUNE 2025 (250) Candidate List Declared Against: JUNE 2025 (250)



Does not contain REACH SVHC

Halogen Content

Low Halogen - Br, Cl, F < 900 ppm per homogenous material. Also BFR/CFR/PVC Free

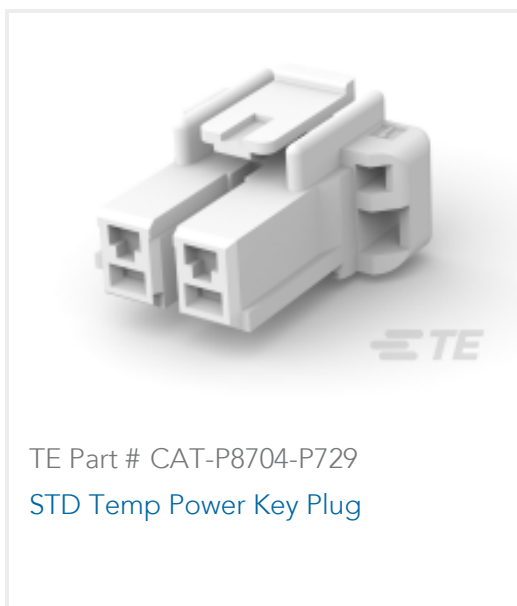
Solder Process Capability

Not reviewed for solder process capability

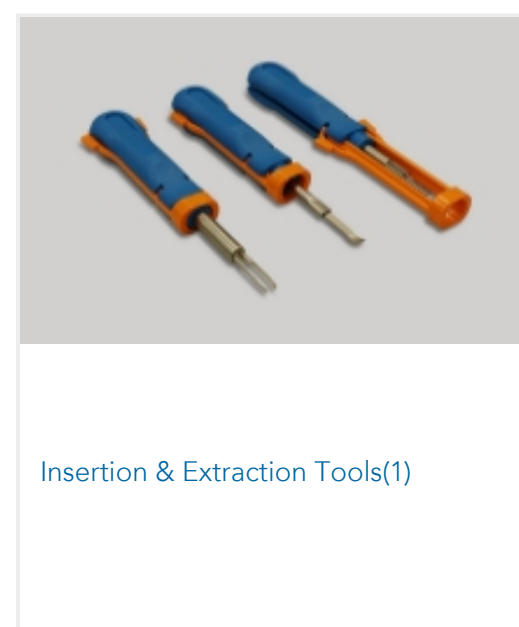
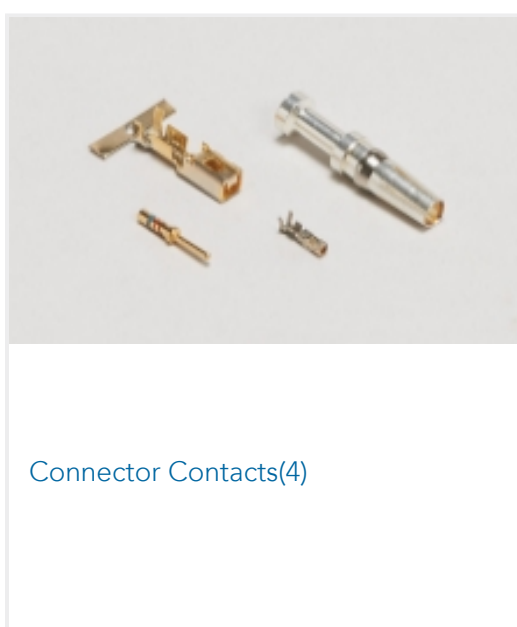
Product Compliance Disclaimer

This information is provided based on reasonable inquiry of our suppliers and represents our current actual knowledge based on the information they provided. This information is subject to change. The part numbers that TE has identified as EU RoHS compliant have a maximum concentration of 0.1% by weight in homogenous materials for lead, hexavalent chromium, mercury, PBB, PBDE, DBP, BBP, DEHP, DIBP, and 0.01% for cadmium, or qualify for an exemption to these limits as defined in the Annexes of Directive 2011/65/EU (RoHS2). Finished electrical and electronic equipment products will be CE marked as required by Directive 2011/65/EU. Components may not be CE marked. Additionally, the part numbers that TE has identified as EU ELV compliant have a maximum concentration of 0.1% by weight in homogenous materials for lead, hexavalent chromium, and mercury, and 0.01% for cadmium, or qualify for an exemption to these limits as defined in the Annexes of Directive 2000/53/EC (ELV). Regarding the REACH Regulation, the information TE provides on SVHC in articles for this part number is based on the latest European Chemicals Agency (ECHA) 'Guidance on requirements for substances in articles' posted at this URL: <https://echa.europa.eu/guidance-documents/guidance-on-reach>

## Compatible Parts



## Also in the Series | Power Key 5.0

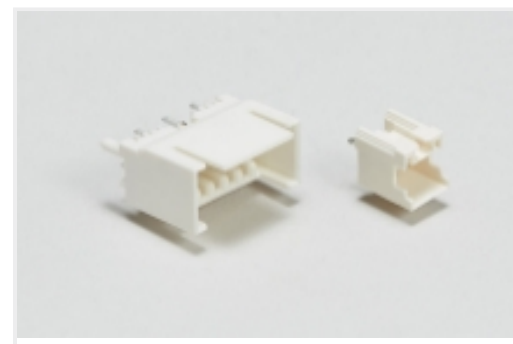




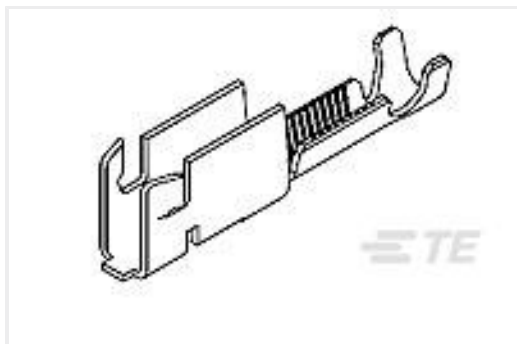
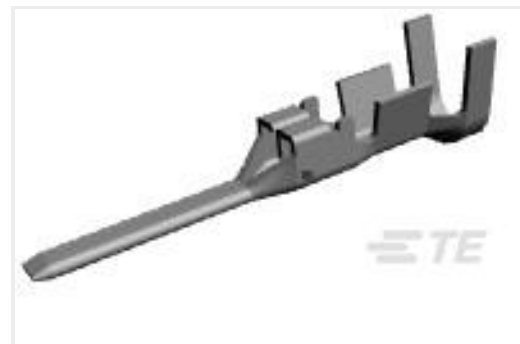
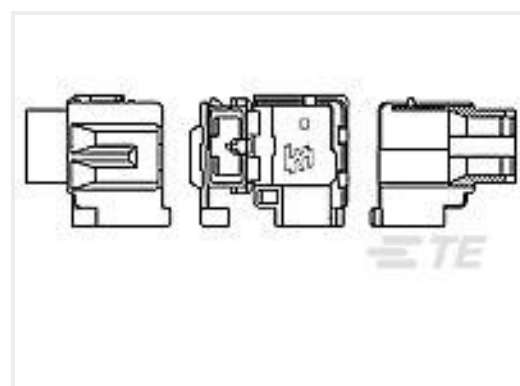
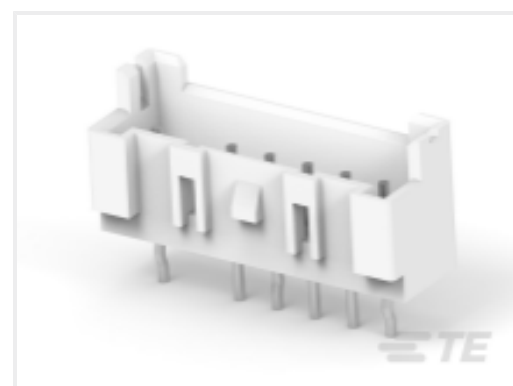
Power Contacts(4)



Rectangular Power Connectors(155)

Wire-to-Board Headers & Receptacles  
(88)

## Customers Also Bought

TE Part #1217671-1  
CLSTR BLK RCPT AMVAR 1500-4200TE Part #1565080-1  
GRACE INERTIA 3.5 TAB CONTACT(L)TE Part #1565086-1  
GRACE INERTIA CONNECTOR 3.5 3PTE Part #1744144-1  
EP-II CONTACT LANCELESS, 22-18TE Part #1-1971906-7  
HEADER ASSY 14POS,KEYING-A,  
NEW GIC3.3TE Part #2013799-1  
250 HSG. PL EX REC. BLACKTE Part #2311995-7  
EP2.5 HDR ASSY 7P VERT, GW,NO  
PIN 6TE Part #2389261-3  
GI3.0Multiload plug ASSY,2P,Key C,  
REDTE Part #1-1376382-3  
5MM B-T-W CONN. 2P HDR ASSEMBL  
(W/O GF)TE Part #2-1376382-4  
5.0 PK CONN. 2P HDR ASSY(W/O GF)  
- BLUE

## Documents

### Product Drawings

[5.0 PK CONN. 6P PLUG HSG W/O GF-NATURAL](#)

English

### CAD Files

[3D PDF](#)

3D

### Customer View Model

[ENG\\_CVM\\_CVM\\_1376393-2\\_J.2d\\_dxf.zip](#)



English

**Customer View Model**

[ENG\\_CVM\\_CVM\\_1376393-2\\_J.3d\\_igs.zip](#)

English

**Customer View Model**

[ENG\\_CVM\\_CVM\\_1376393-2\\_J.3d\\_stp.zip](#)

English

By downloading the CAD file I accept and agree to the [Terms and Conditions](#) of use.

---

## Product Specifications

[Application Specification](#)

English

---

## Agency Approvals

[VDE Certificate](#)

English

[VDE Certificate](#)

English