

1355864-1 ✓ ACTIVE



AMP | Modular Hard Wired Fuse and Relay Box

TE Internal #: 1355864-1

Module Components, Others, Secondary Locking, UL 94HB, IP2X, -40 – 185 °F [-40 – 85 °C], Modular Hard Wired Fuse and Relay Box

[View on TE.com >](#)

Connectors > Automotive Connectors > Power Distribution Boxes > Module Components



Component Type: **Others**

Secondary Locking: **Yes**

UL Flammability Rating: **UL 94HB**

IP Rating: **IP2X**

Operating Temperature Range: **-40 – 85 °C [-40 – 185 °F]**

Features

Product Type Features

Component Type	Others
----------------	--------

Body Features

Secondary Locking	Yes
-------------------	-----

Usage Conditions

Operating Temperature Range	-40 – 85 °C[-40 – 185 °F]
-----------------------------	---------------------------

Industry Standards

UL Flammability Rating	UL 94HB
IP Rating	IP2X

Product Compliance

[For compliance documentation, visit the product page on TE.com>](#)

EU RoHS Directive 2011/65/EU	Compliant
EU ELV Directive 2000/53/EC	Compliant
China RoHS 2 Directive MIIT Order No 32, 2016	No Restricted Materials Above Threshold



EU REACH Regulation (EC) No. 1907/2006

Current ECHA Candidate List: JAN 2024 (240)

Candidate List Declared Against: JAN 2024 (240)

Does not contain REACH SVHC

Halogen Content

BFR/CFR/PVC Free, but Br/Cl >900 ppm in other sources.

Solder Process Capability

Not applicable for solder process capability

Product Compliance Disclaimer

This information is provided based on reasonable inquiry of our suppliers and represents our current actual knowledge based on the information they provided. This information is subject to change. The part numbers that TE has identified as EU RoHS compliant have a maximum concentration of 0.1% by weight in homogenous materials for lead, hexavalent chromium, mercury, PBB, PBDE, DBP, BBP, DEHP, DIBP, and 0.01% for cadmium, or qualify for an exemption to these limits as defined in the Annexes of Directive 2011/65/EU (RoHS2). Finished electrical and electronic equipment products will be CE marked as required by Directive 2011/65/EU. Components may not be CE marked. Additionally, the part numbers that TE has identified as EU ELV compliant have a maximum concentration of 0.1% by weight in homogenous materials for lead, hexavalent chromium, and mercury, and 0.01% for cadmium, or qualify for an exemption to these limits as defined in the Annexes of Directive 2000/53/EC (ELV). Regarding the REACH Regulation, the information TE provides on SVHC in articles for this part number is based on the latest European Chemicals Agency (ECHA) 'Guidance on requirements for substances in articles' posted at this URL: <https://echa.europa.eu/guidance-documents/guidance-on-reach>

Also in the Series | **Modular Hard Wired Fuse and Relay Box**



Battery Distribution Units(3)



Busbars & Terminals(3)



Hard Wired Box Accessories(4)



Insertion & Extraction Tools(3)

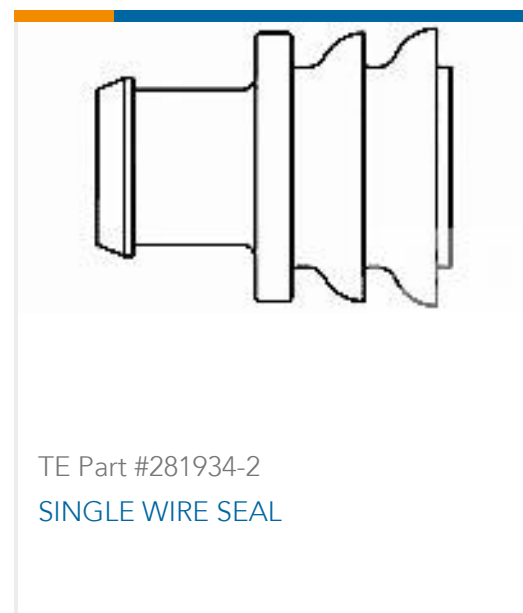


Module Components(4)



Other Hard Wired Boxes(3)

Customers Also Bought



Documents

Product Drawings

MINI RELAIS EINSATZ

English

CAD Files

3D PDF

3D

Customer View Model

[ENG_CVM_CVM_1355864-1_C.2d_dxf.zip](#)

English

Customer View Model

[ENG_CVM_CVM_1355864-1_C.3d_igs.zip](#)

English

Customer View Model

[ENG_CVM_CVM_1355864-1_C.3d_stp.zip](#)

English

By downloading the CAD file I accept and agree to the [Terms and Conditions](#) of use.

Product Specifications

Application Specification

English