

## Product Compliance

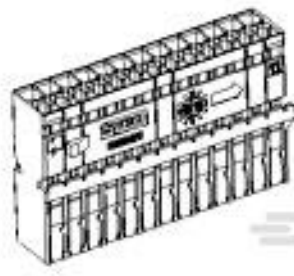
[For compliance documentation, visit the product page on TE.com>](#)

EU RoHS Directive 2011/65/EU	Compliant
EU ELV Directive 2000/53/EC	Compliant
China RoHS 2 Directive MIIT Order No 32, 2016	No Restricted Materials Above Threshold
EU REACH Regulation (EC) No. 1907/2006	Current ECHA Candidate List: JAN 2025 (247) Candidate List Declared Against: JAN 2025 (247) Does not contain REACH SVHC
Halogen Content	Low Halogen - Br, Cl, F, I < 900 ppm per homogenous material. Also BFR/CFR/PVC Free
Solder Process Capability	Not reviewed for solder process capability

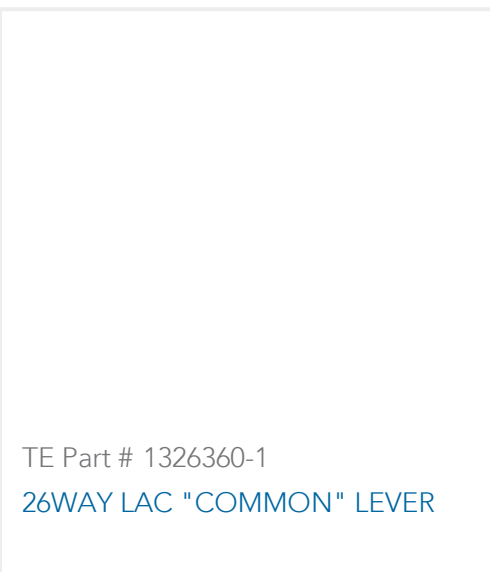
### Product Compliance Disclaimer

This information is provided based on reasonable inquiry of our suppliers and represents our current actual knowledge based on the information they provided. This information is subject to change. The part numbers that TE has identified as EU RoHS compliant have a maximum concentration of 0.1% by weight in homogenous materials for lead, hexavalent chromium, mercury, PBB, PBDE, DBP, BBP, DEHP, DIBP, and 0.01% for cadmium, or qualify for an exemption to these limits as defined in the Annexes of Directive 2011/65/EU (RoHS2). Finished electrical and electronic equipment products will be CE marked as required by Directive 2011/65/EU. Components may not be CE marked. Additionally, the part numbers that TE has identified as EU ELV compliant have a maximum concentration of 0.1% by weight in homogenous materials for lead, hexavalent chromium, and mercury, and 0.01% for cadmium, or qualify for an exemption to these limits as defined in the Annexes of Directive 2000/53/EC (ELV). Regarding the REACH Regulation, the information TE provides on SVHC in articles for this part number is based on the latest European Chemicals Agency (ECHA) 'Guidance on requirements for substances in articles' posted at this URL: <https://echa.europa.eu/guidance-documents/guidance-on-reach>

## Compatible Parts

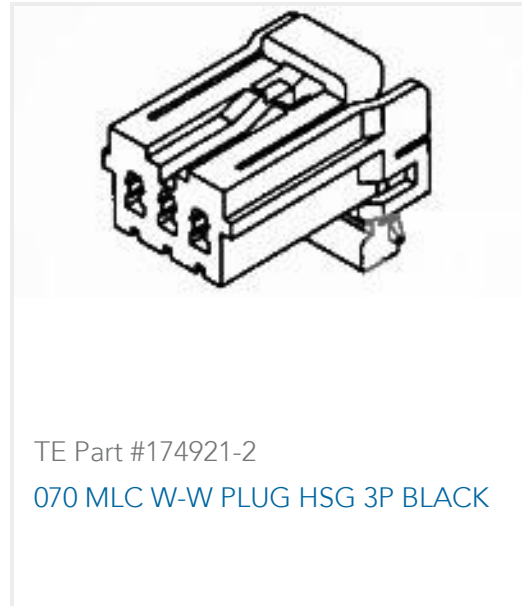


TE Part # 1326042-1  
[LAC CARRIER, 26 POS, 0.64MM, A KEY](#)

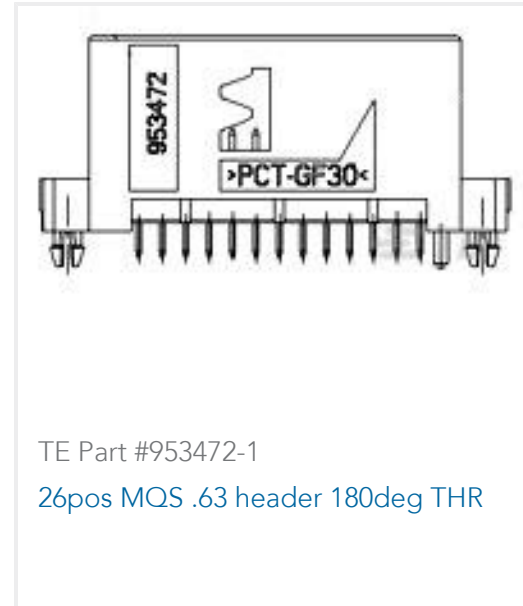


TE Part # 1326360-1  
[26WAY LAC "COMMON" LEVER](#)

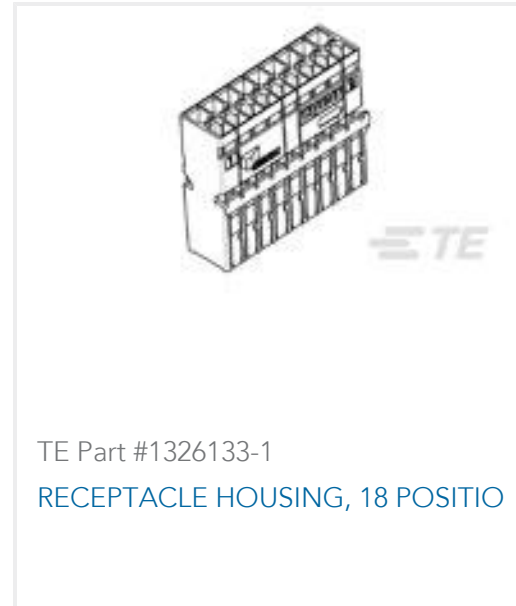
## Customers Also Bought



TE Part #174921-2  
070 MLC W-W PLUG HSG 3P BLACK



TE Part #953472-1  
26pos MQS .63 header 180deg THR



TE Part #1326133-1  
RECEPTACLE HOUSING, 18 POSITIO



TE Part #7-1393246-1  
W23-X1A1G-30=W23/W31



TE Part #1618408-2  
LEV100H5CNG = CONTACTOR WITH  
AUX SPST



TE Part #1-1924067-2  
2POS, MCON 1.2 CB REC 2p TL  
SEALED



TE Part #2066008-1  
2P SUPERSEAL 1.5 SERIES TAB AS



TE Part #2203770-2  
2POS, MCON 1.2 CB TAB 1p TL  
SEALED



TE Part #1326227-1  
32WAY LAC RECEPTACLE CARRIER H



TE Part #184207-1  
2 POS. PLUG ASSY, KEY J

## Documents

### Product Drawings

[26WAY LAC "COMMON" SHIELD ASMB](#)

English

### CAD Files

[3D PDF](#)

English

[Customer View Model](#)

[ENG\\_CVM\\_1326362-1\\_C.2d\\_dxf.zip](#)

English

[Customer View Model](#)

[ENG\\_CVM\\_1326362-1\\_C.3d\\_igs.zip](#)

English

[Customer View Model](#)

[ENG\\_CVM\\_1326362-1\\_C.3d\\_stp.zip](#)

English

By downloading the CAD file I accept and agree to the [Terms and Conditions](#) of use.



**Instruction Sheets**

**Instruction Sheet (U.S.)**

English