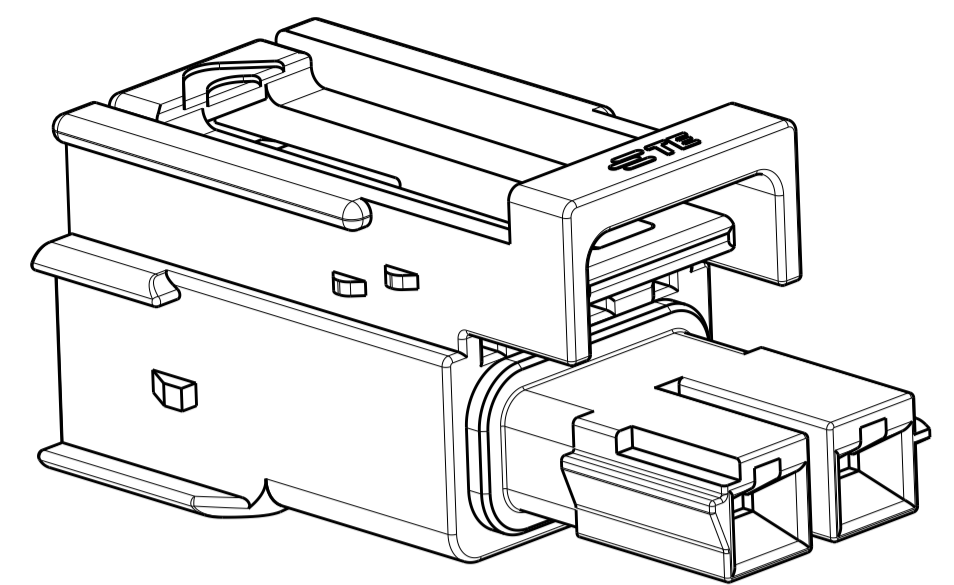
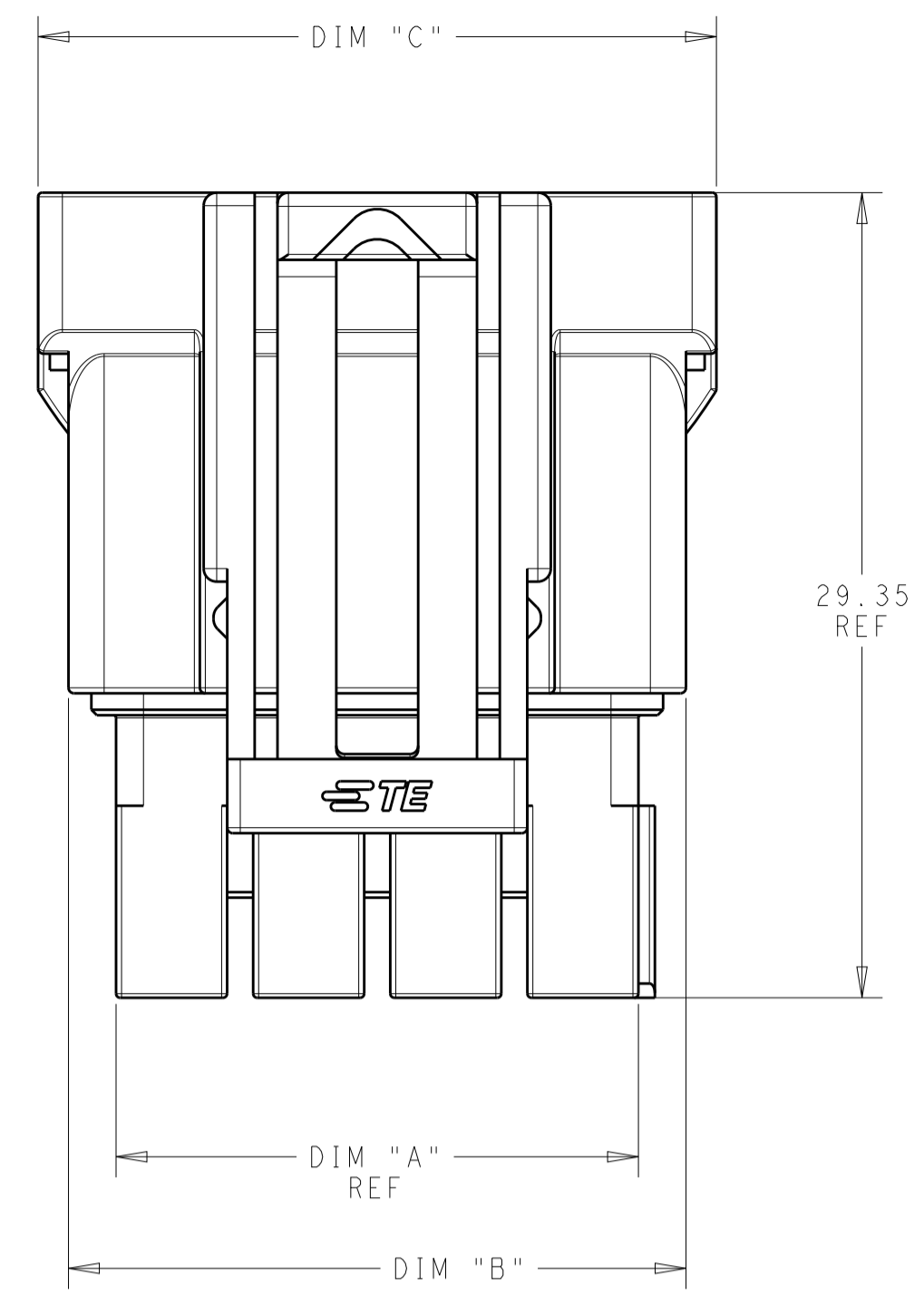
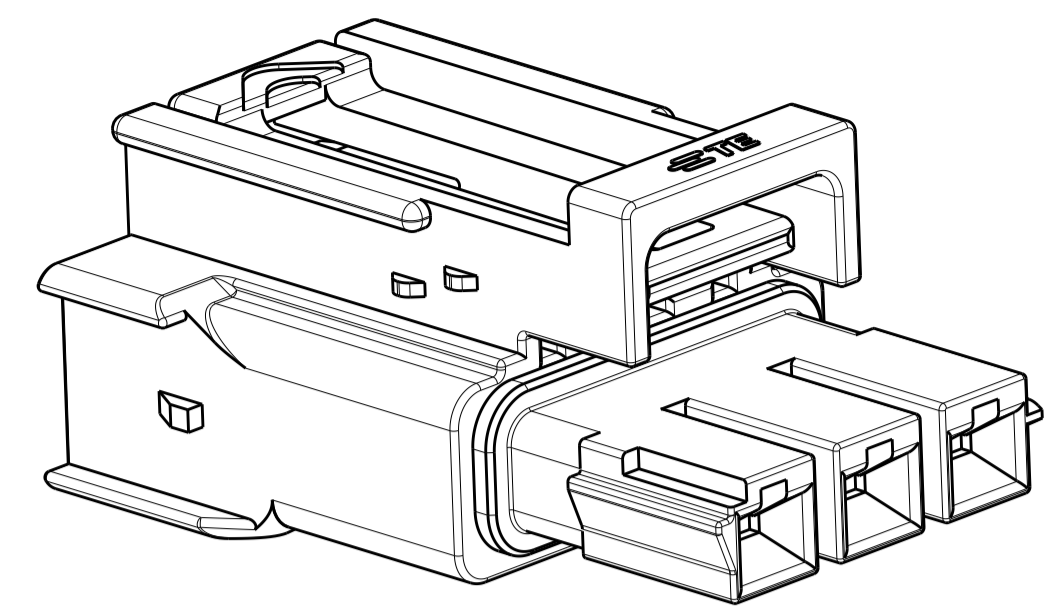


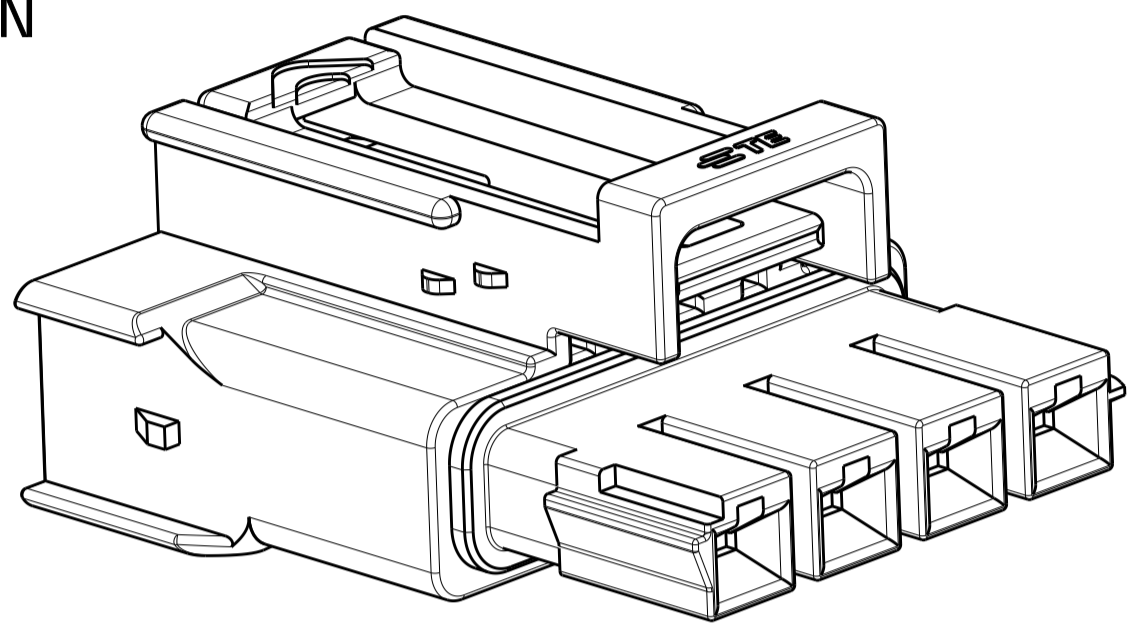
REVISIONS					
P.	LTN	DESCRIPTION	DATE	OWN	APVD
A		RELEASED PER ECO-19-014652	24SEP2018	BKW	GJ
B		REVISED PER ECO-20-003666	12MAR2020	BKW	DS
B1		REVISED PER ECR-20-100211	07AUG2020	JP	VS



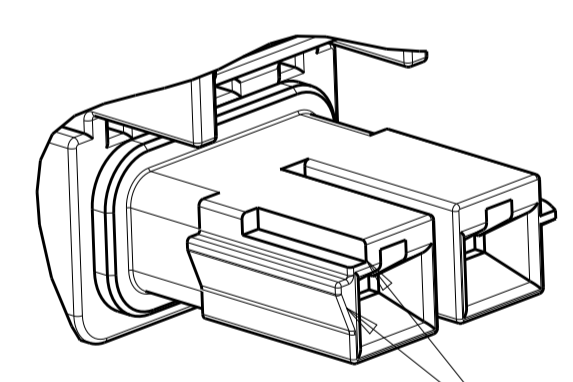
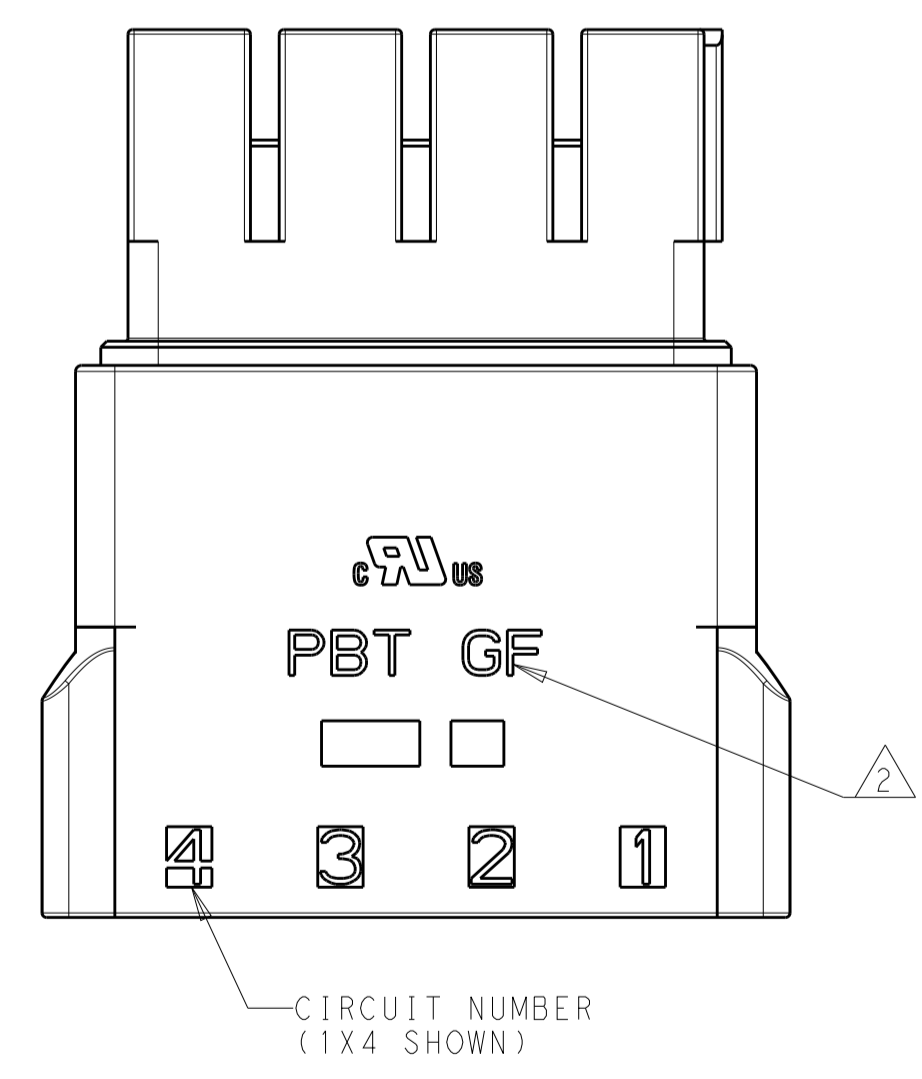
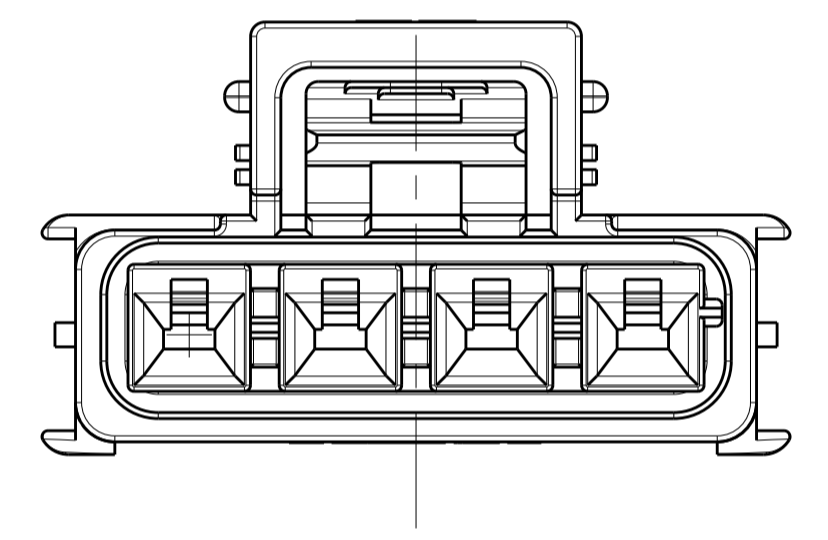
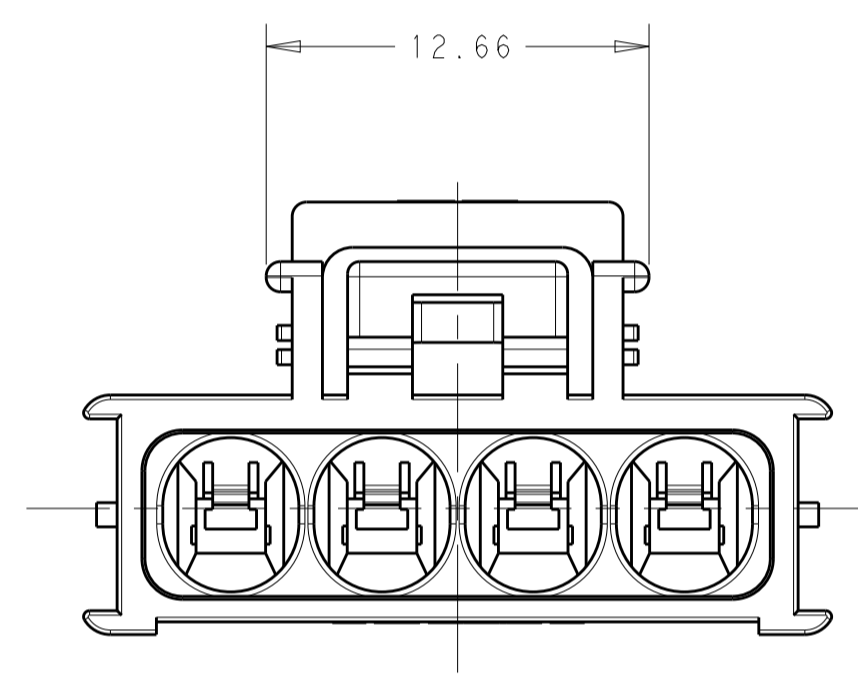
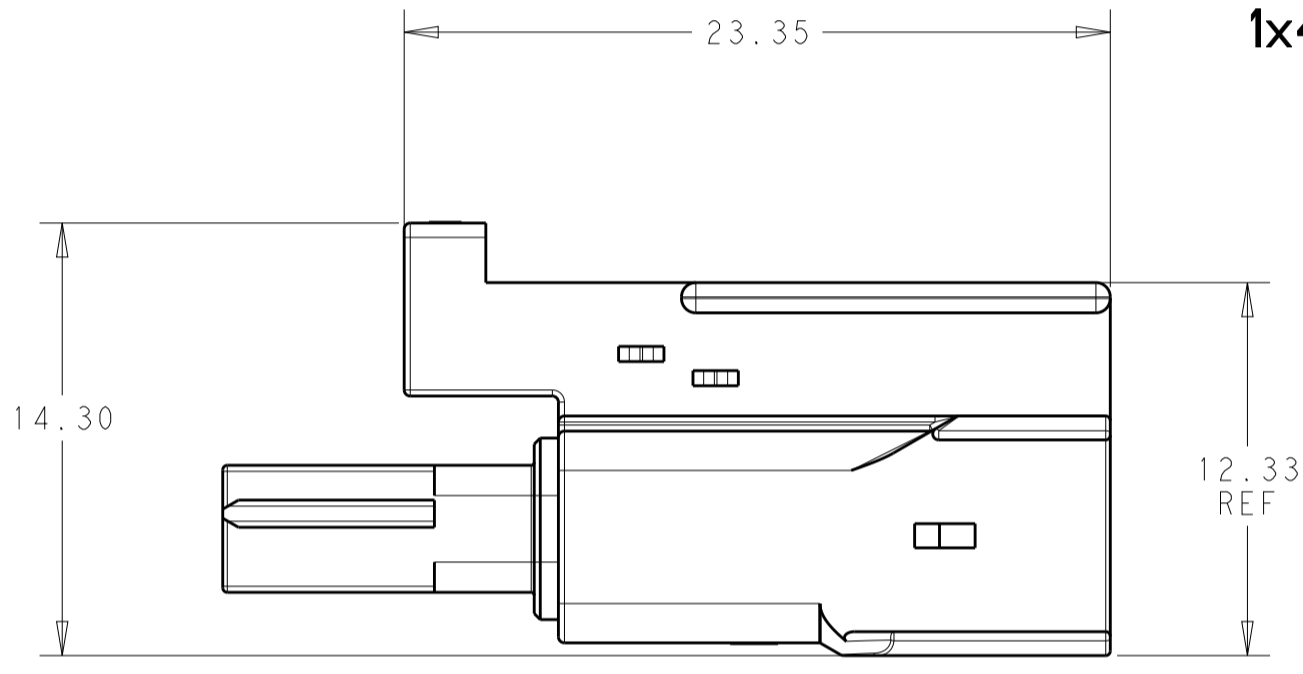
1x2 POSITION



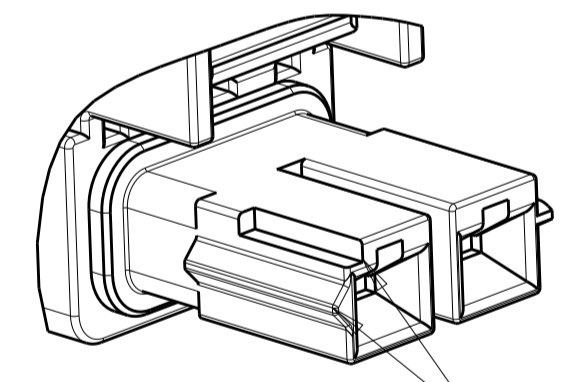
1x3 POSITION



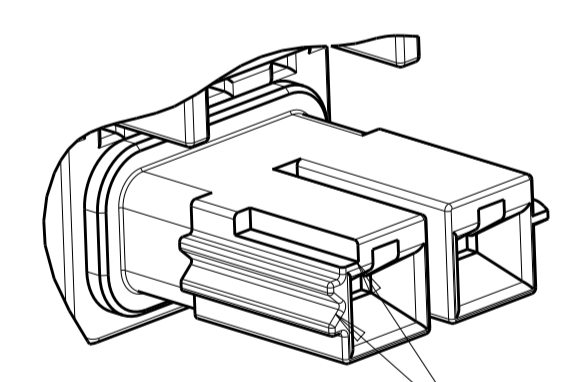
1x4 POSITION



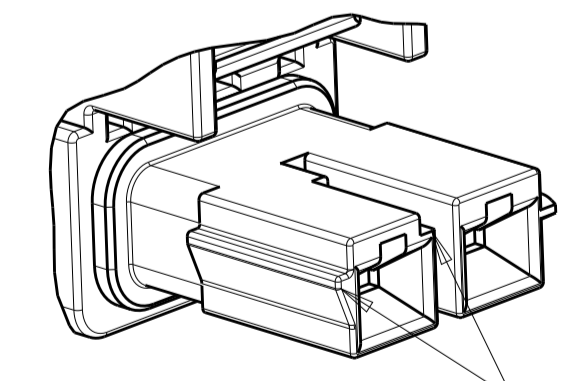
KEY A



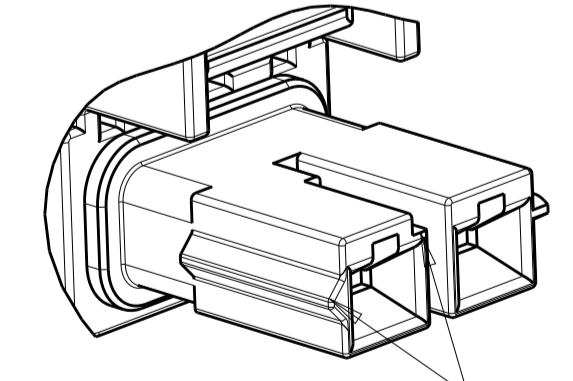
KEY B



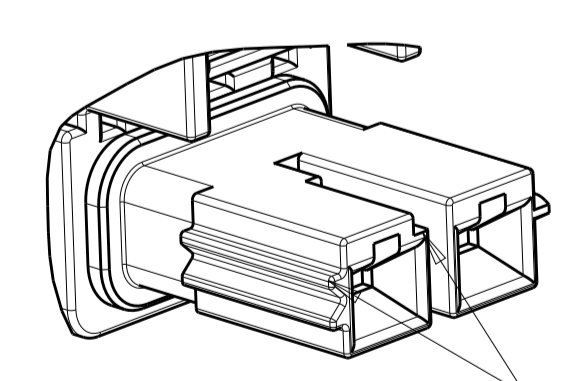
KEY C



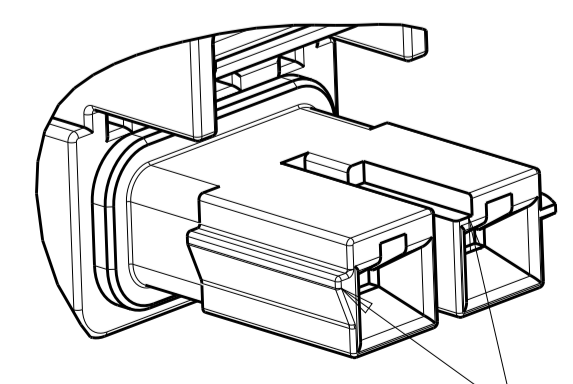
KEY D



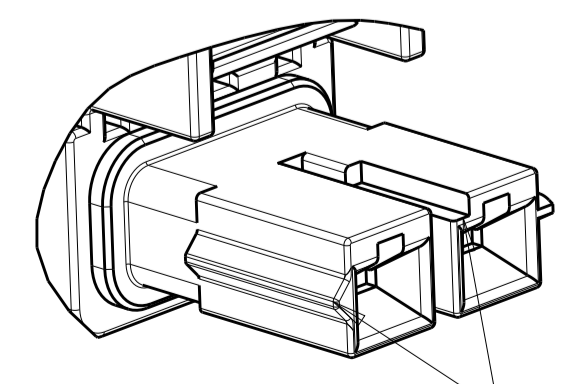
KEY E



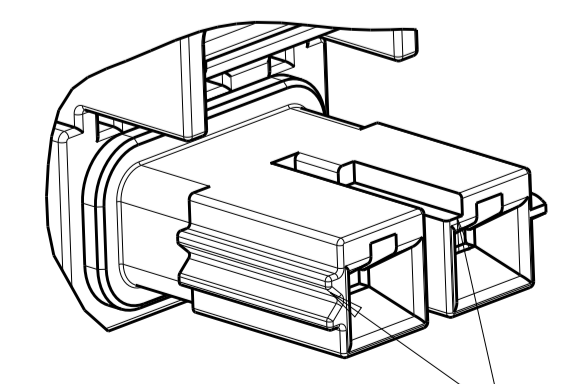
KEY F



KEY G



KEY H



KEY I

△ MATERIAL: PBT, GLASS FILLED
 KEY A: NATURAL; KEY B: GREY; KEY C: BROWN
 KEY D: RED; KEY E: ORANGE; KEY F: VIOLET
 KEY G: YELLOW; KEY H: BLUE; KEY I: GREEN

△ MATERIAL MARK: PBT GF

- APPLICABLE CONTACT P/N:
2329913-*/2329916-*/2329912-*/2329914-*/2329915-*/2329917-*
- MATING CONNECTOR P/N
RECEP. HSG: *2325350-
TPA: 2329016-
BACK COVER: 2334614-
INTERFACE SEAL: 2325347-
GANG SEAL: 2325349-*
- FLAMMABILITY RATING: UL94 V-0

24.66	22.52	19.05	KEY C	1*4	3-2332040-4
24.66	22.52	19.05	KEY B	1*4	2-2332040-4
24.66	22.52	19.05	KEY A	1*4	1-2332040-4
19.66	17.52	14.05	KEY C	1*3	3-2332040-3
19.66	17.52	14.05	KEY B	1*3	2-2332040-3
19.66	17.52	14.05	KEY A	1*3	1-2332040-3
14.66	12.52	9.05	KEY I	1*2	9-2332040-2
14.66	12.52	9.05	KEY H	1*2	8-2332040-2
14.66	12.52	9.05	KEY G	1*2	7-2332040-2
14.66	12.52	9.05	KEY F	1*2	6-2332040-2
14.66	12.52	9.05	KEY E	1*2	5-2332040-2
14.66	12.52	9.05	KEY D	1*2	4-2332040-2
14.66	12.52	9.05	KEY C	1*2	3-2332040-2
14.66	12.52	9.05	KEY B	1*2	2-2332040-2
14.66	12.52	9.05	KEY A	1*2	1-2332040-2
DIM C	DIM B	DIM A	KEYING	POSITIONS	PART NUMBER

THIS DRAWING IS A CONTROLLED DOCUMENT. OWN: B. WEAVER 20JUN2018
 CHK: S. FERNANDES 20JUN2018
 APVD: C. YI 20JUN2018

STE TE Connectivity

NAME: PLUG HOUSING, POWER VERSA-LOCK

PRODUCT SPEC: 108-143081
 APPLICATION SPEC: 114-143082

SIZE: A1 CAGE CODE: 00779 DRAWING NO: 2332040
 WEIGHT: -
 MATERIAL: PBT GF
 FINISH: -

CUSTOMER DRAWING SCALE: 4:1 SHEET: 1 OF 1 REV: B1