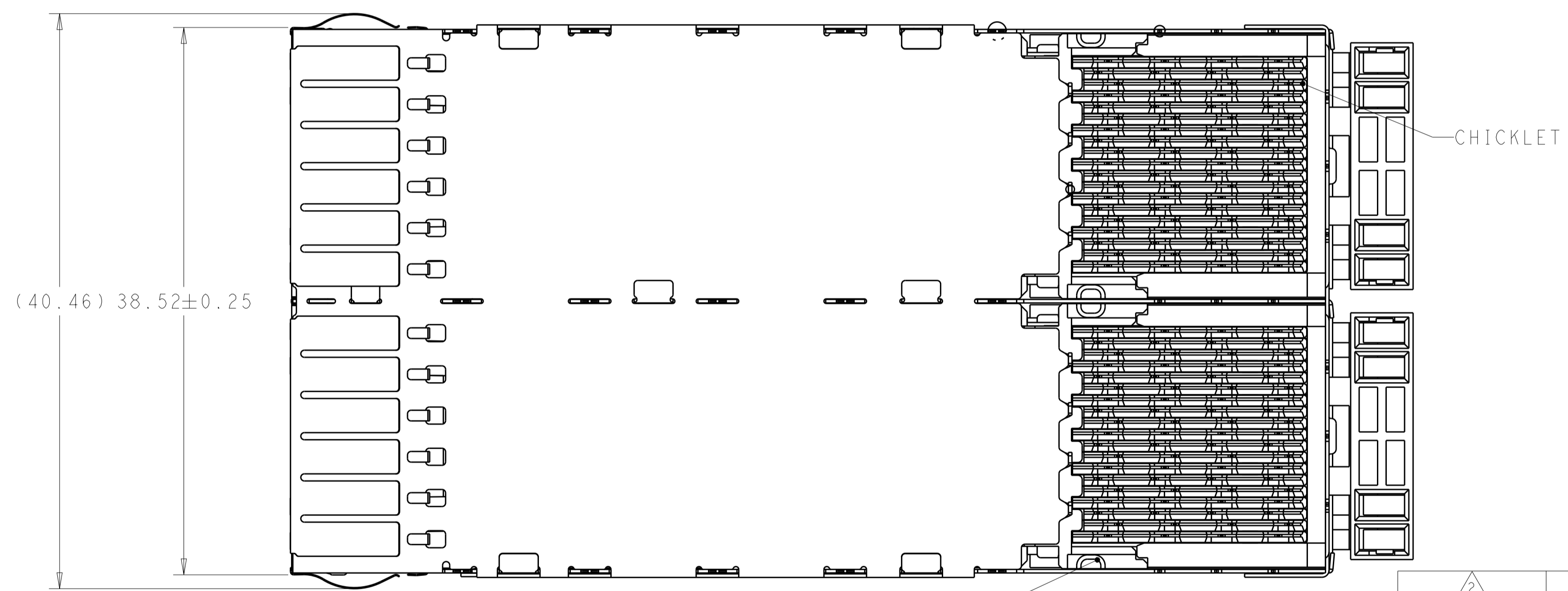
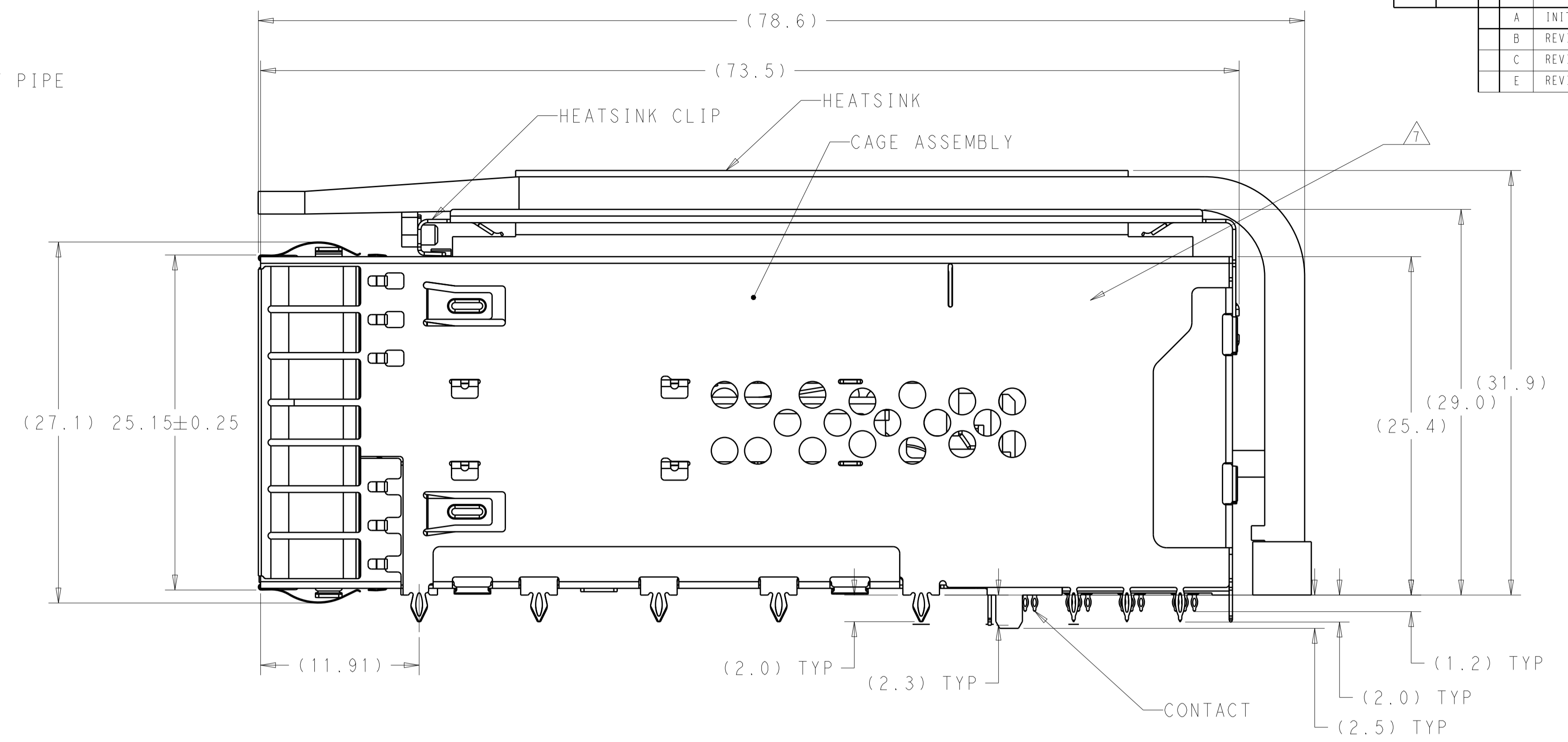
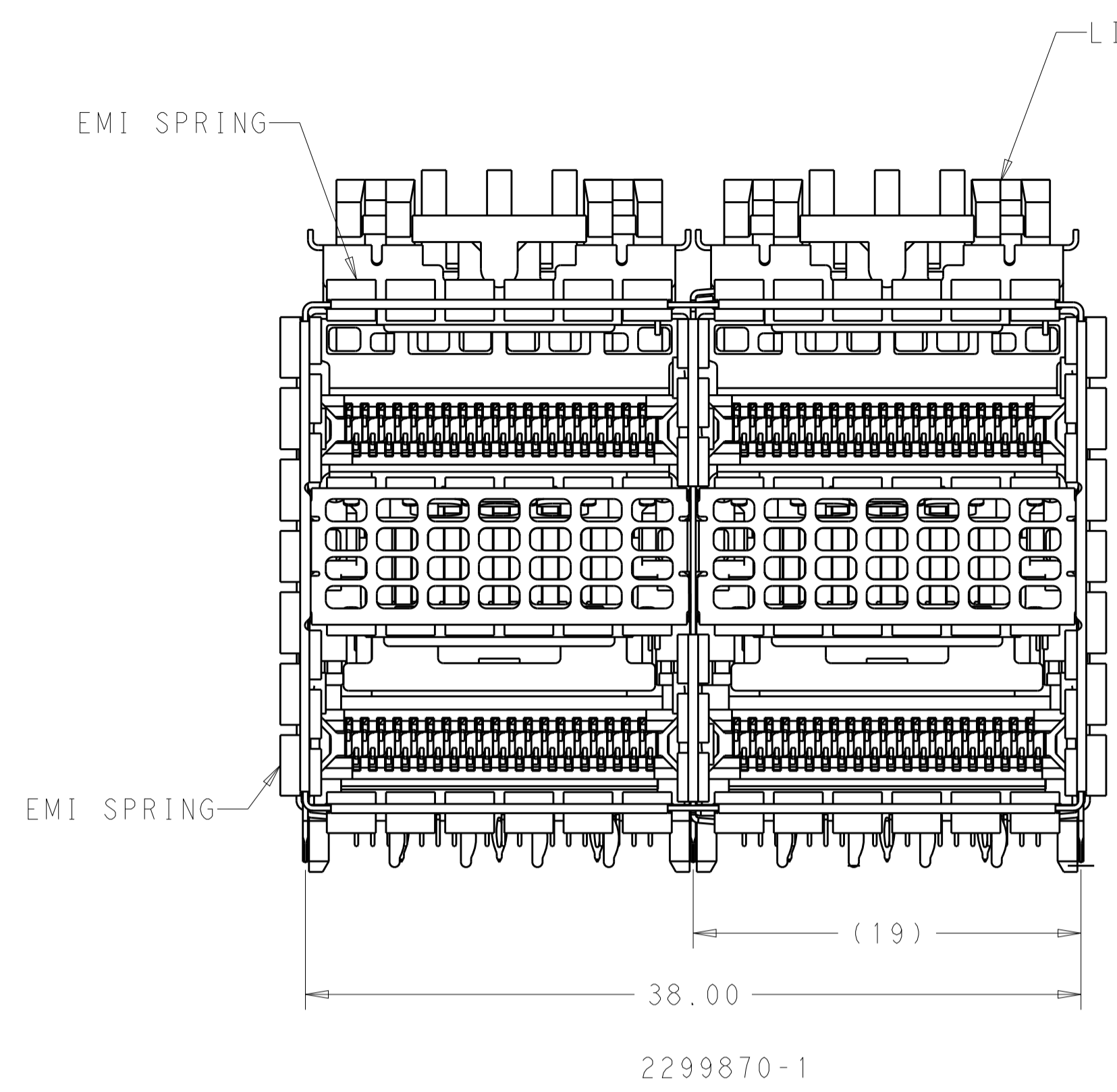


LOC	DIST	REVISIONS					
GP	00	P	LTN	DESCRIPTION	DATE	OWN	APPV
		A		INITIAL RELEASE	13MAR2017	LL	SH
		B		REVISED PER ECO-17-012744	31AUG2017	TX	SH
		C		REVISED PER ECO-18-007431	14MAY2018	TX	SH
		E		REVISED PER ECO-18-016903	02SEP2018	TX	SH



- MATERIALS:
 CAGE ASSEMBLY- NICKEL SILVER ALLOY PER ASTM B 122.
 EMI SPRING- COPPER ALLOY, NICKEL PLATED.
 HOUSING- POLYESTER LCP WITH 94V-0.
 CHICKLET- POLYESTER LCP WITH 94V-0.
 CONTACT- COPPER ALLOY.
 LIGHTPIPE- POLYCARBONATE WITH 94V-0.
- CONTACT FINISH: 0.76µm GOLD ON MATING AREA, 0.7-1.5µm MATT TIN ON COMPLIANT AREA, ALL OVER 1.27µm NICKEL.
- DATUM AND BASIC DIMENSION ESTABLISHED BY CUSTOMER.
- MINIMUM PCB THICKNESS OF 1.57.
- THE ENTIRE AREA OF THE CONNECTOR FOOTPRINT, INDICATED BY THE DASHED LINE, TO BE CONSIDERED THE KEEPOUT AREA FOR COMPONENTS AND TRACES.
- CROSS-HATCHED AREAS REPRESENT ZONES ON THE PCB THAT COME IN CONTACT WITH OR BE IN CLOSE PROXIMITY TO THE PLASTIC HOUSING OR THE CONNECTOR CAGE. INDICATED AREAS TO BE CONSIDERED TRACE FREE.
- PART NUMBER AND DATE CODE MAKED IN APPROXIMATE AREA SHOWN.
- HATCHED AREA IS PLACEMENT ZONE FOR LED. LED SHOULD BE CENTERED WITHIN ZONE. RECOMMEND 0805 PACKAGE.
- CONTACT FINISH: 0.08µm MINIMUM GOLD OVER 0.68µm PALLADIUM-NICKEL ON MATING AREA, 0.7-1.5µm MATT TIN ON COMPLIANT AREA, ALL OVER 1.27µm NICKEL.

CONTACT FINISH	DESCRIPTION	PART NUMBER
2	WITH HS & WITH LP	1-2299870-8
2	WITH HS & WITHOUT LP	1-2299870-6
2	WITH HS & WITHOUT LP	1-2299870-2
2	WITH HS & WITH LP	1-2299870-0
2	WITH HS & WITH LP	2299870-9
2	WITH HS & WITH LP	2299870-8
2	WITH HS & WITH LP	2299870-7
2	WITH HS & WITHOUT LP	2299870-6
2	WITHOUT UPPER HS OR LP	2299870-5
2	WITHOUT UPPER HS OR LP	2299870-4
2	WITH HS & WITHOUT LP	2299870-3
2	WITH HS & WITHOUT LP	2299870-2
2	WITH HS & WITH LP	2299870-1

THIS DRAWING IS A CONTROLLED DOCUMENT. OWN: TIM XUE 28JAN2016
 CHG: SEAN HAN 28JAN2016
 APVD: SEAN HAN 28JAN2016

DIMENSIONS: mm
 TOLERANCES UNLESS OTHERWISE SPECIFIED:
 0 PLC ±
 1 PLC ±0.25
 2 PLC ±0.15
 3 PLC ±
 4 PLC ±
 ANGLES ±
 FINISH ±

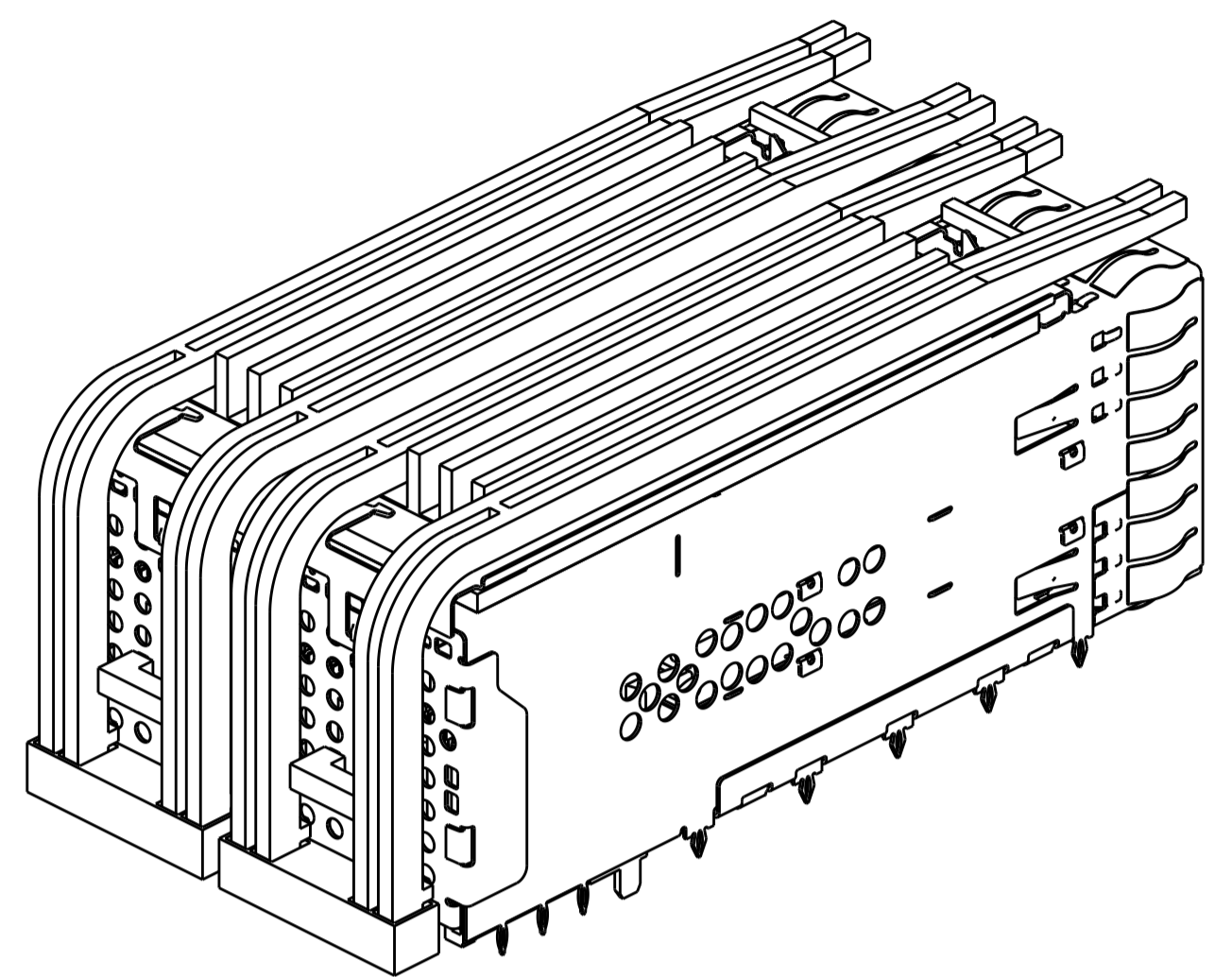
MATERIAL: SEE NOTE 1
 FINISH: SEE NOTE 2

PRODUCT SPEC: 108-60102
 APPLICATION SPEC: 114-60015
 WEIGHT: -

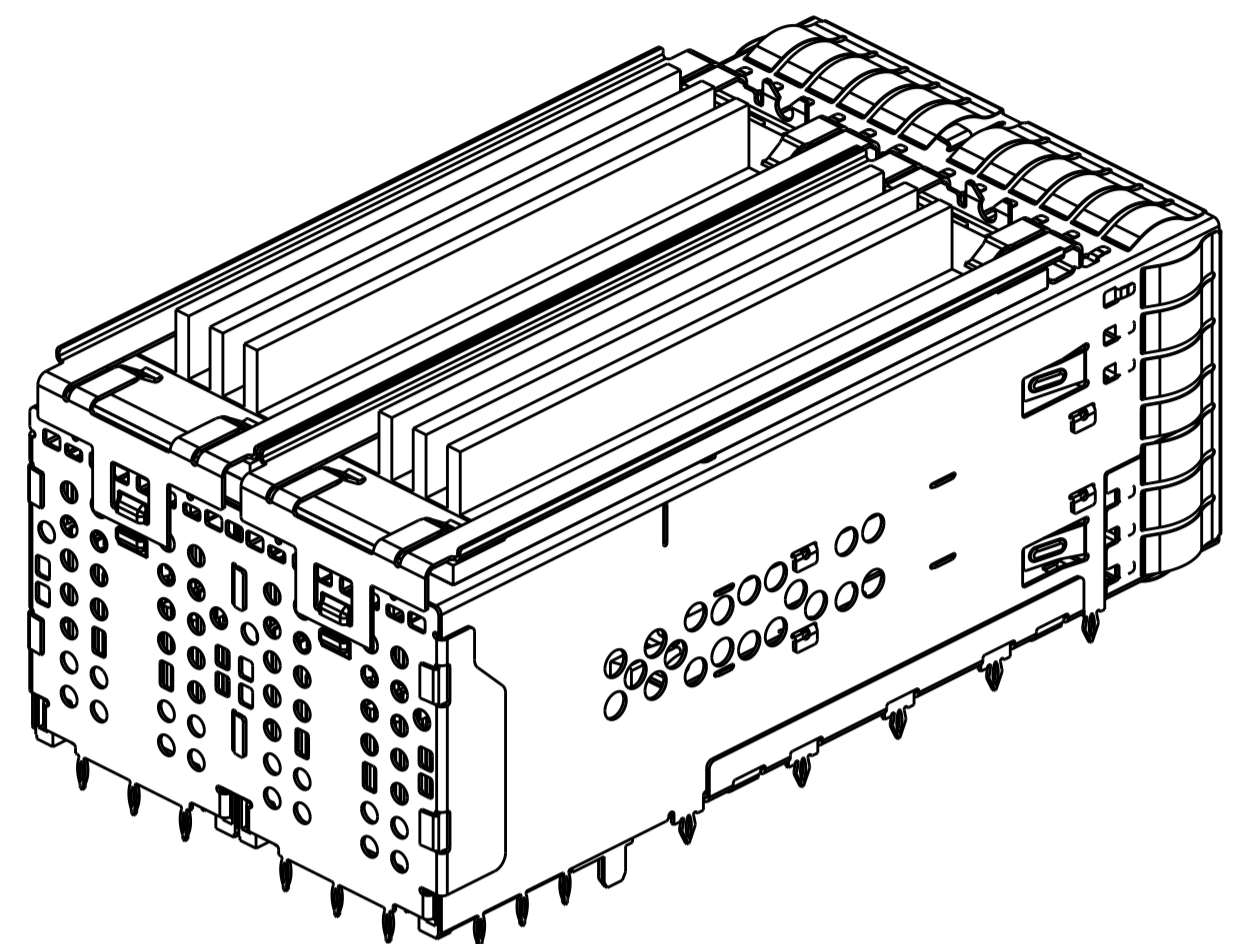
SCALE: 4:1
 SHEET: 1 OF 11
 REV: E

TE Connectivity
 NAME: CAGE AND CONNECTOR ASSEMBLY WITH EMI SPRING FINGERS, THRU BEZEL, 2X2 ZQSP+ STACKED WITH HS
 SIZE: A100779
 CAGE CODE: C=2299870
 CUSTOMER DRAWING

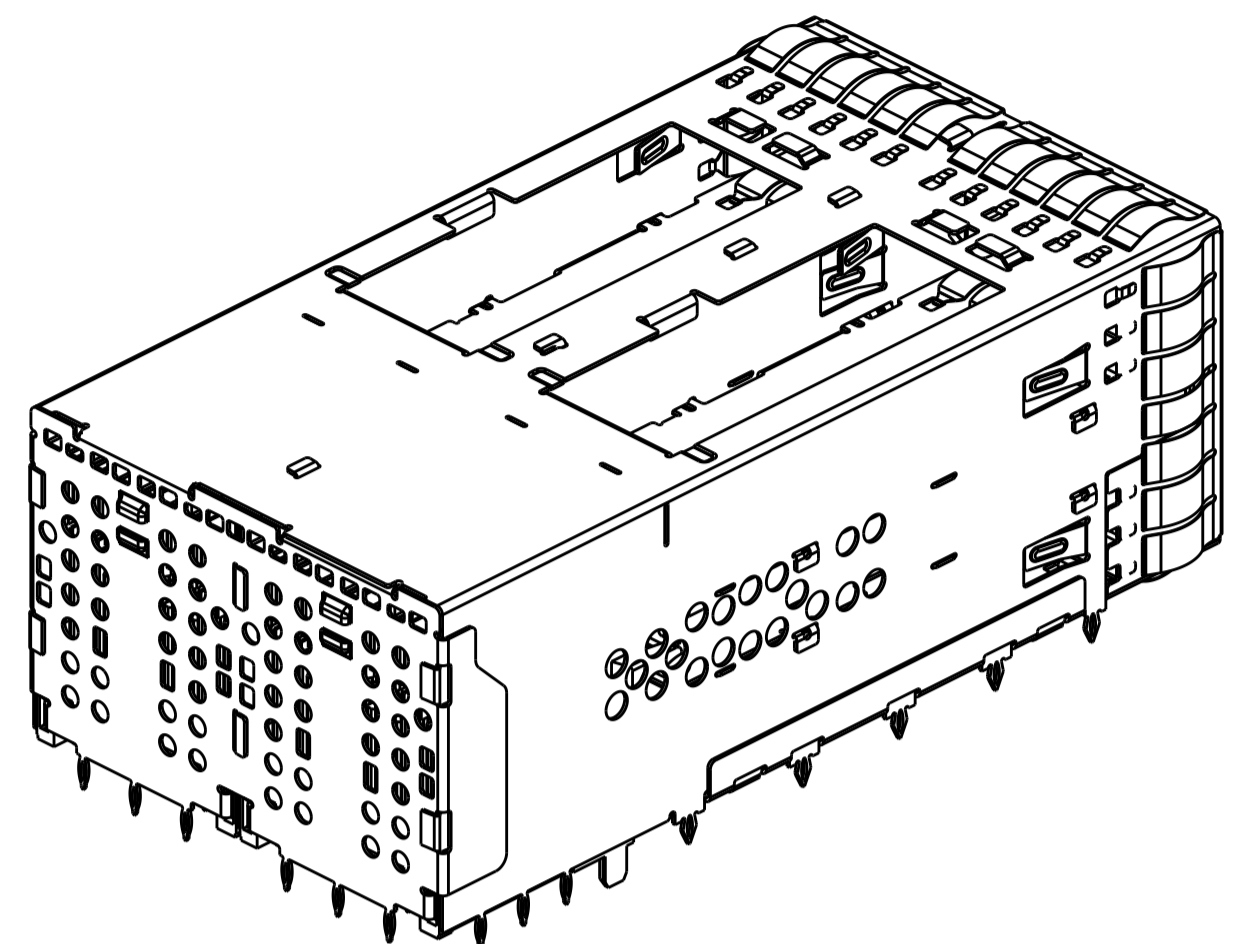
LOC		DIST		REVISIONS			
GP	00	P	LYR	DESCRIPTION	DATE	OWN	APVD
		-		SEE SHEET 1			



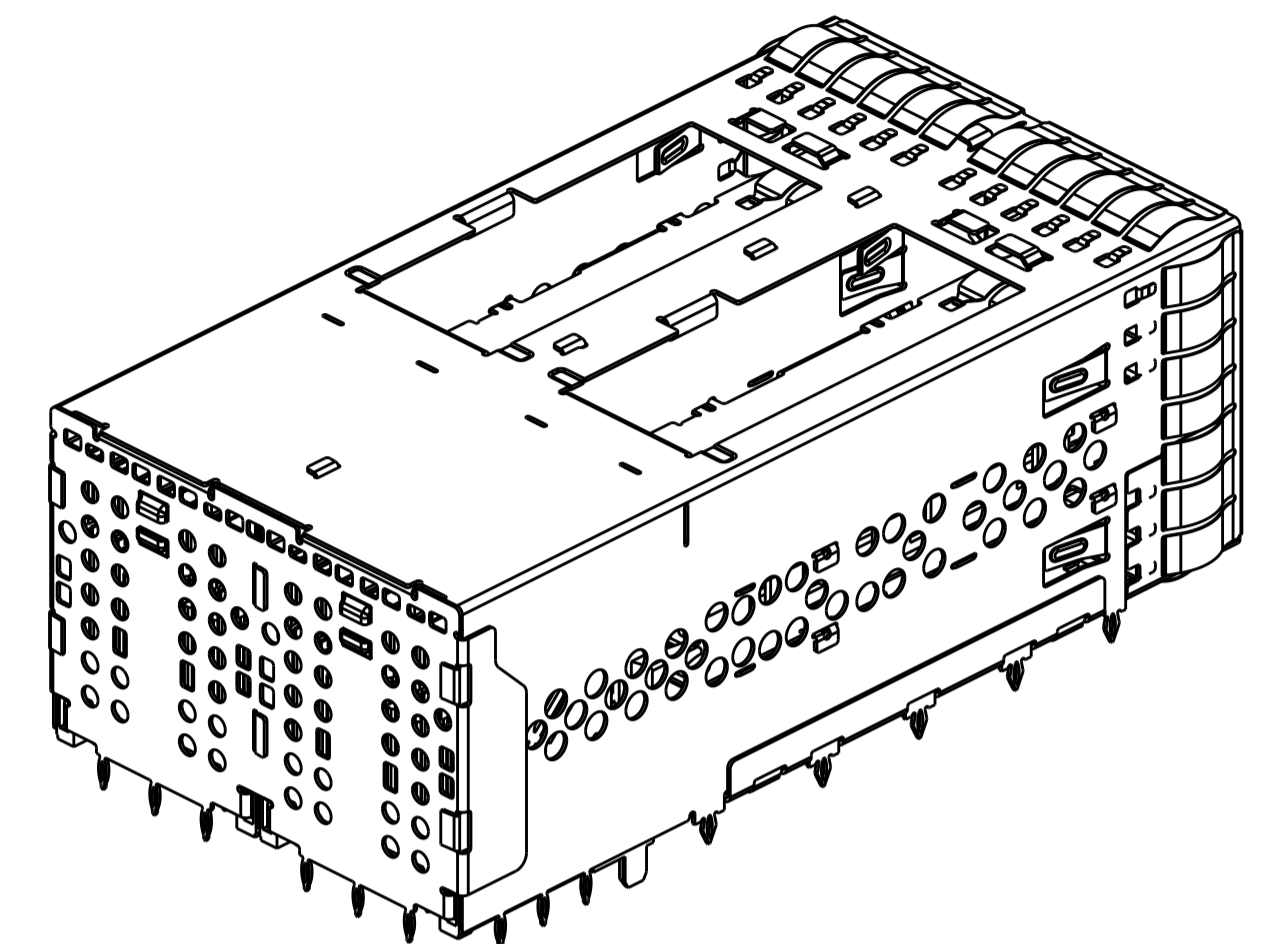
2299870-1 AS SHOWN
SCALE 2:1



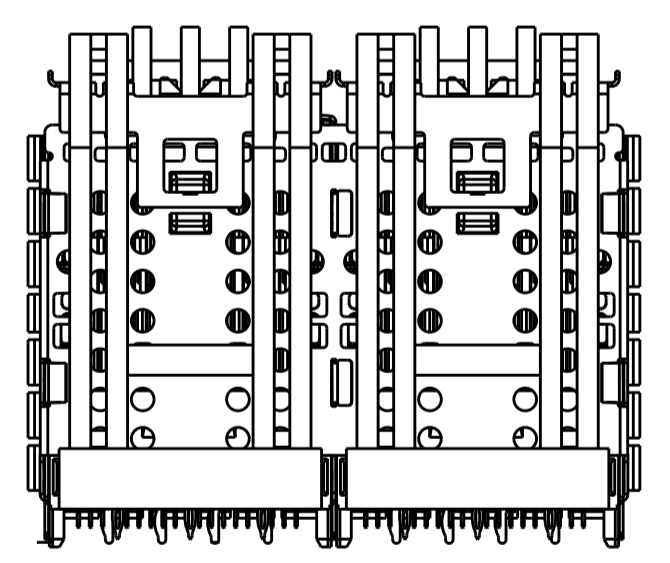
2299870-2 AND 1-2299870-2AS SHOWN
SAME AS 2299870-1 EXCEPT
W/O LEHT PIPE AND ORGANIZER
SCALE 2:1



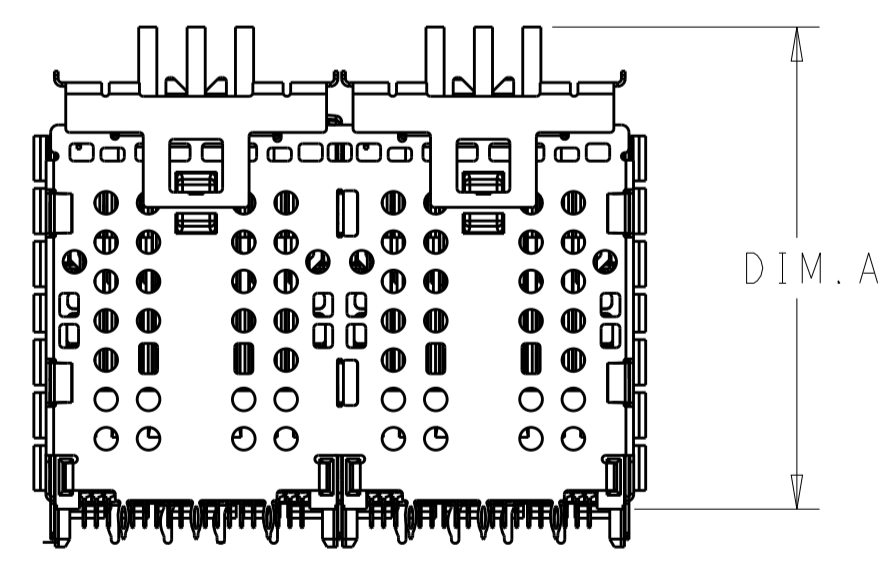
2299870-4 AS SHOWN
SAME AS 2299870-2 EXCEPT
W/O EXTERNAL HEAT SINK AND LP
SCALE 2:1



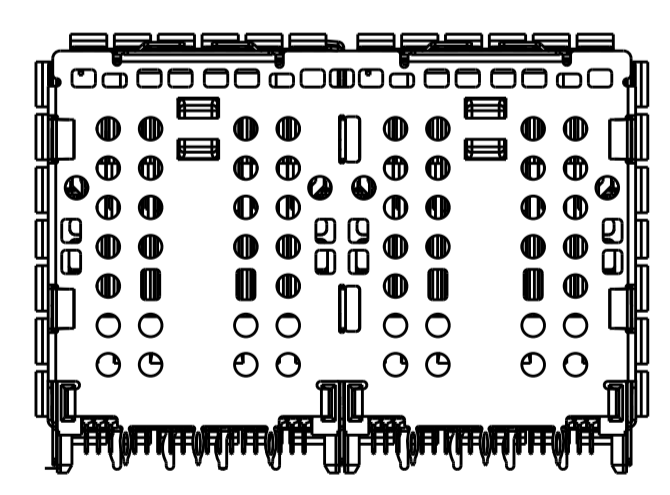
2299870-5
SCALE 2:1



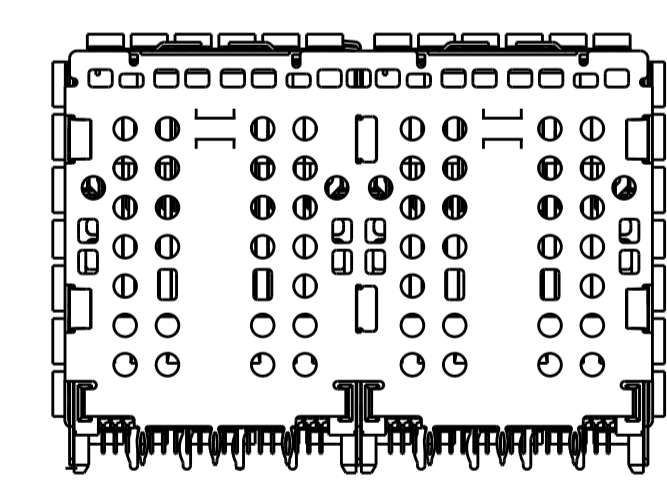
2299870-1
SCALE 2:1



2299870-2
1-2299870-2
SCALE 2:1



2299870-4
SCALE 2:1

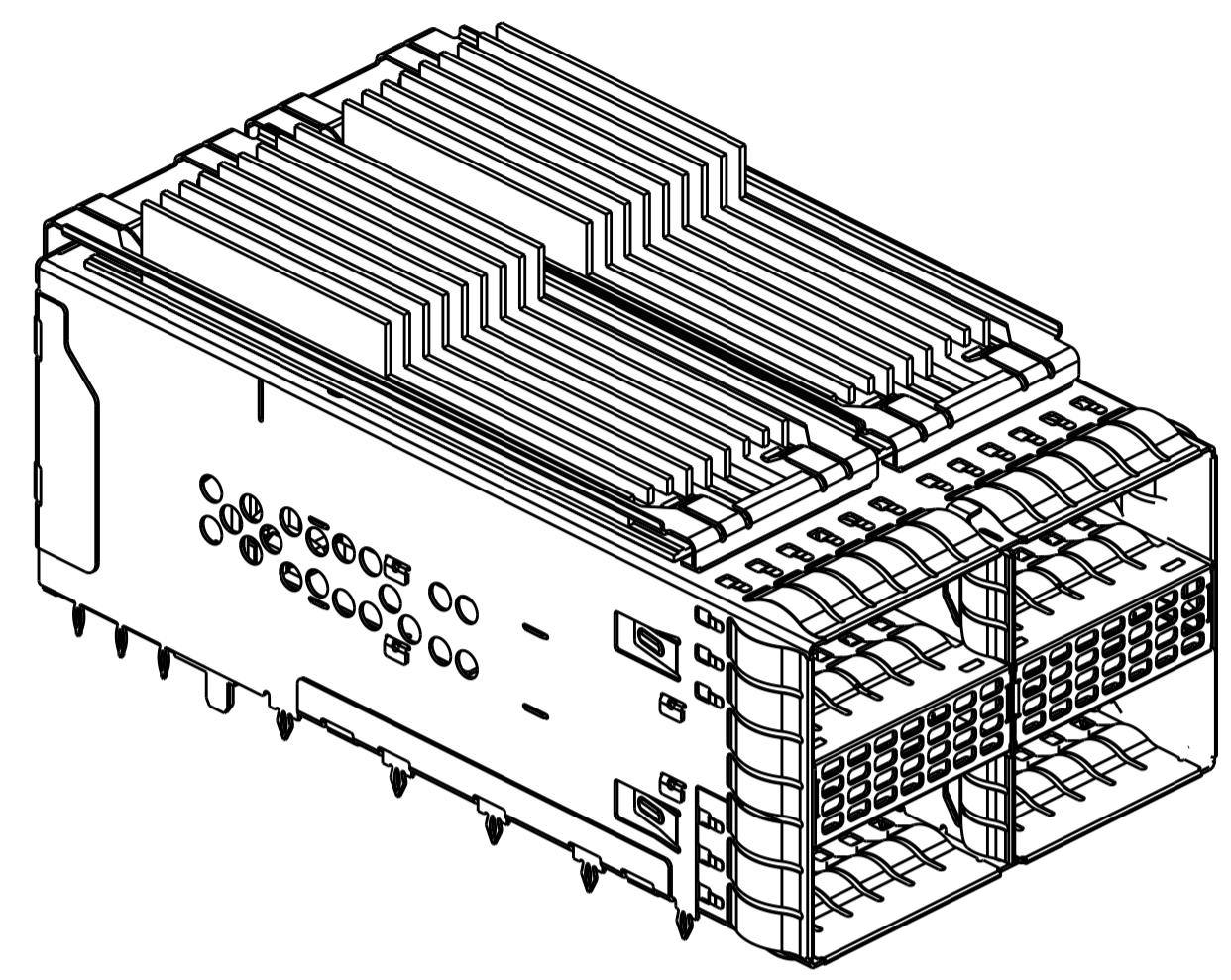


2299870-5
SCALE 2:1

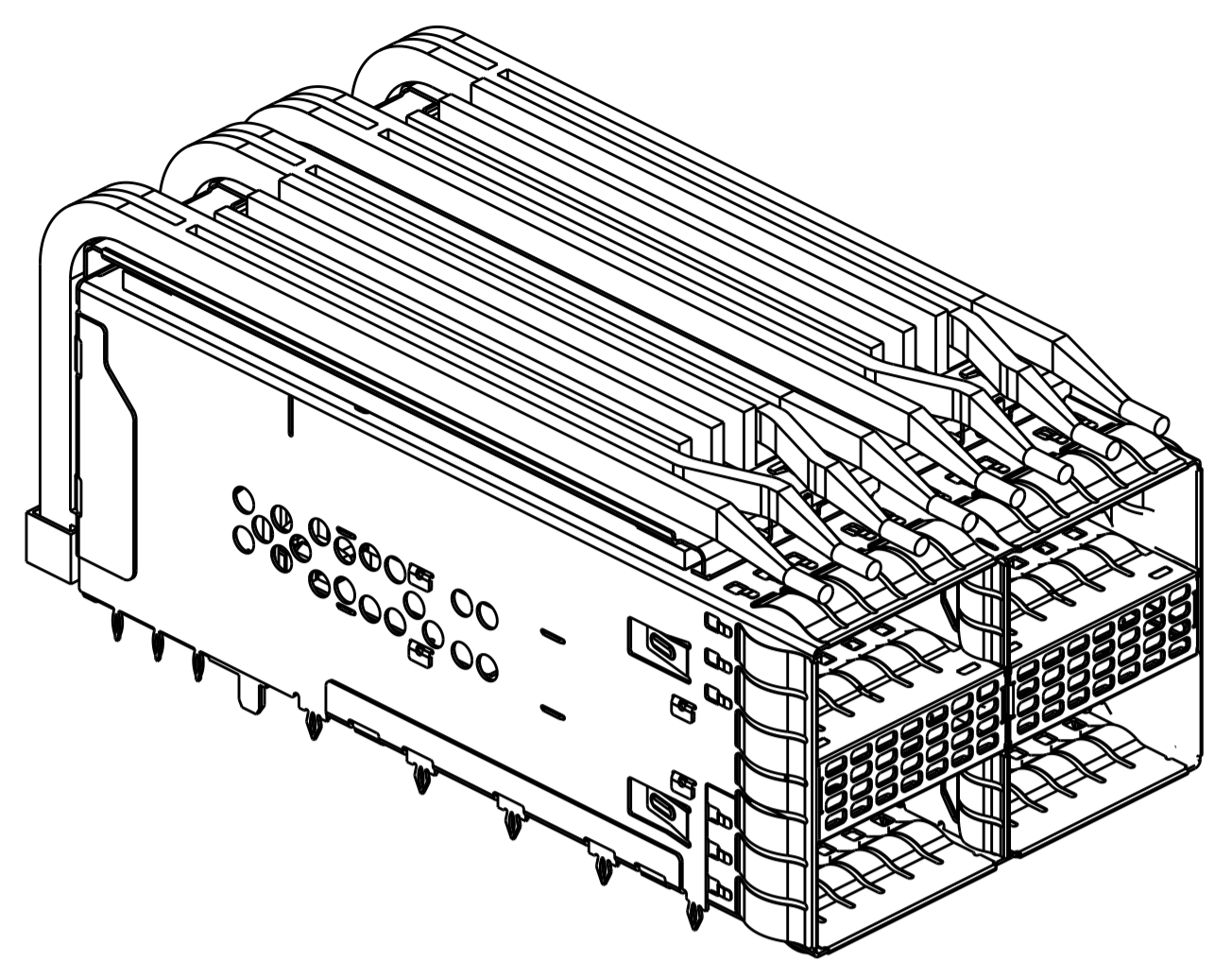
30.9	1-2299870-2
31.9	2299870-2
DIM.A	PART NUMBER

THIS DRAWING IS A CONTROLLED DOCUMENT.		OWN TIM XUE 28JAN2016	TE Connectivity
DIMENSIONS:		CHK SEAN HAN 28JAN2016	
mm	TOLERANCES UNLESS OTHERWISE SPECIFIED:	APVD SEAN HAN 28JAN2016	NAME
	0 PLC ± 1 PLC ±0.25 2 PLC ±0.15 3 PLC ± 4 PLC ± ANGLES ±	PRODUCT SPEC	CAGE AND CONNECTOR ASSEMBLY WITH EMI SPRING FINGERS, THRU BEZEL, 2X2 ZOSFP+ STACKED WITH HS
MATERIAL	FINISH	APPLICATION SPEC	RESTRICTED TO
SEE NOTE 1	SEE NOTE 2	114-60015	SIZE
CUSTOMER DRAWING		WEIGHT	A100779C=2299870
		SCALE	4:1
		SHEET	2 OF 11
		REV	E

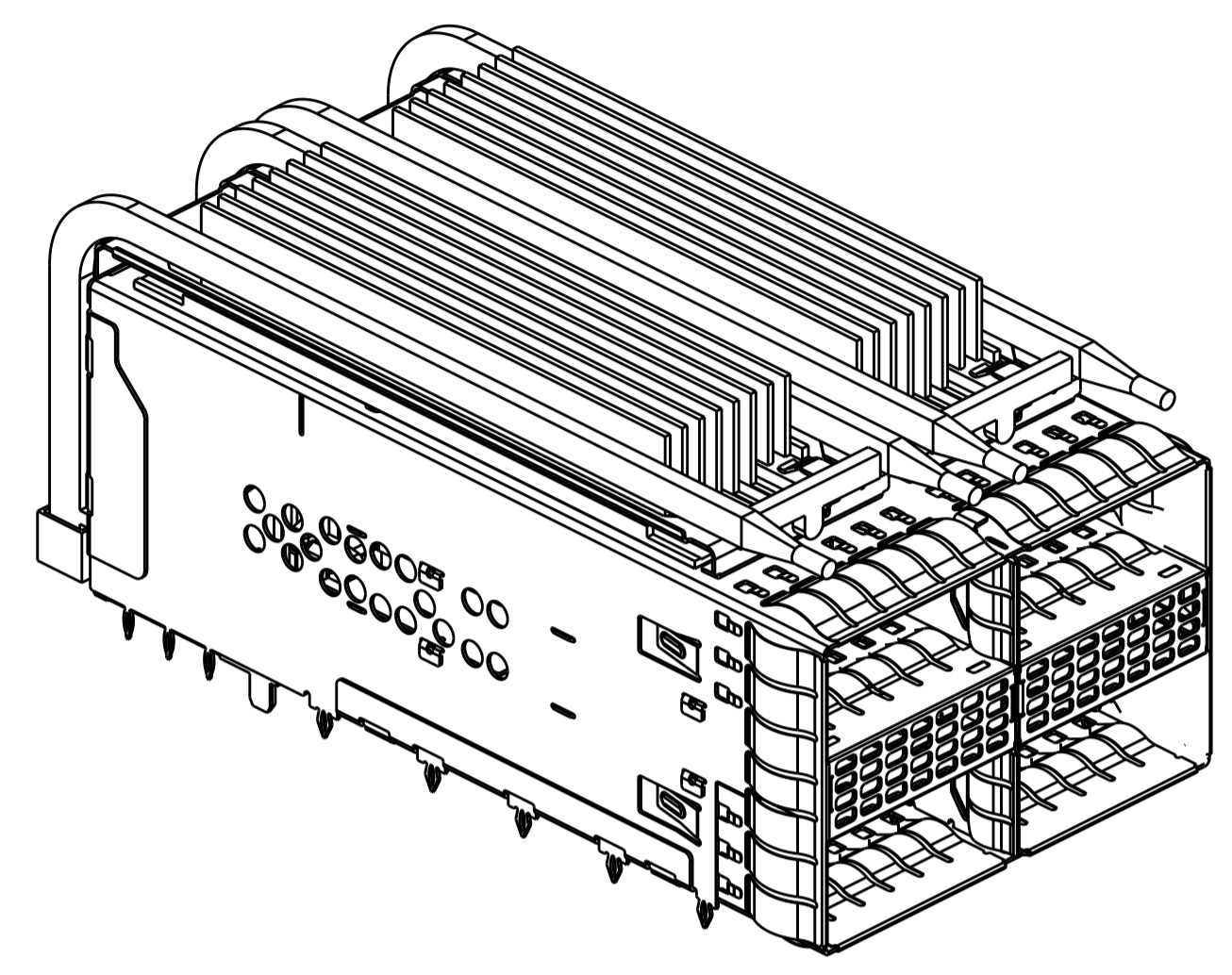
LOC	DIST	REVISIONS					
GP	00	P	LYR	DESCRIPTION	DATE	OWN	APVD
		-		SEE SHEET 1			



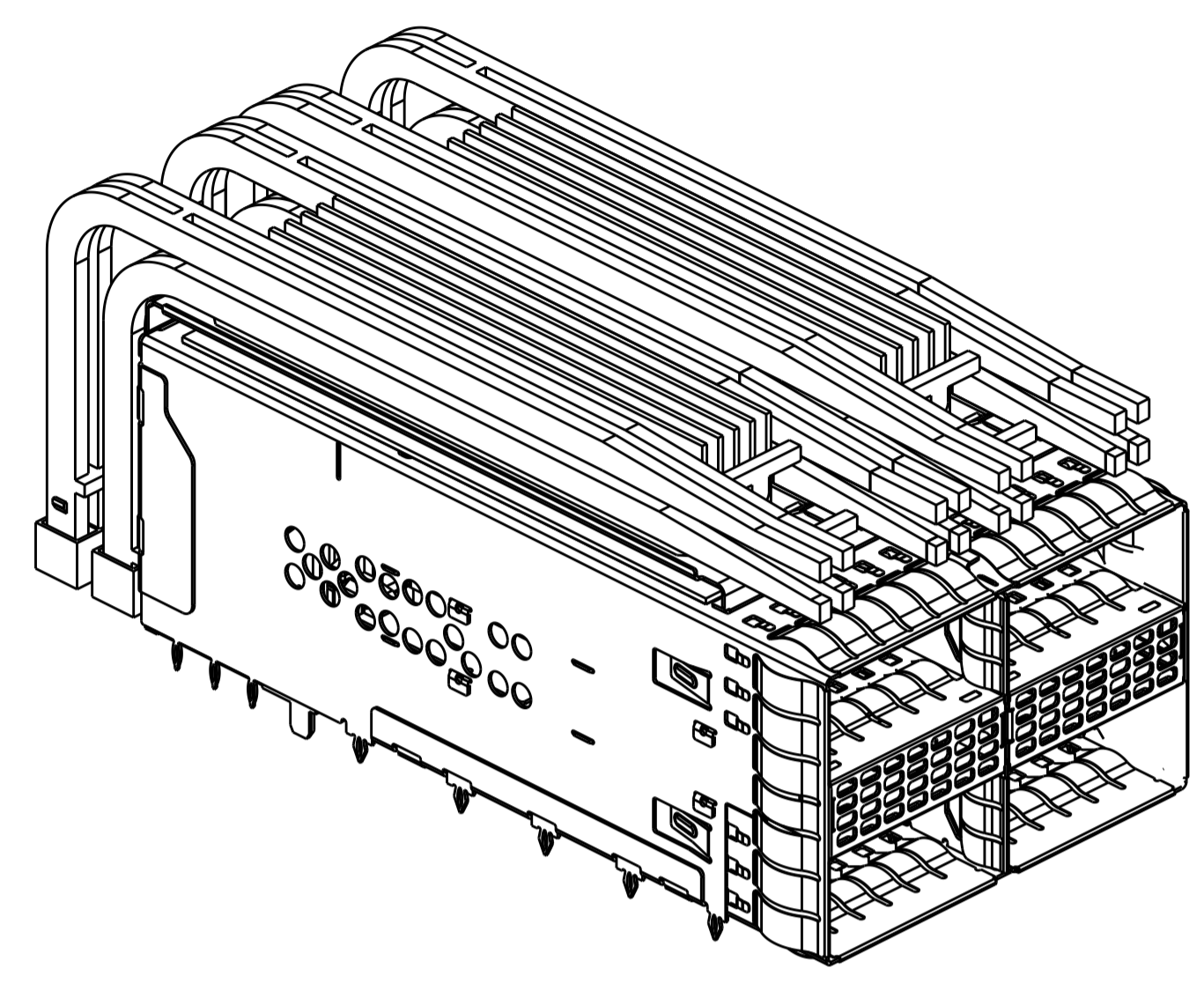
2299870-6
SCALE 2:1



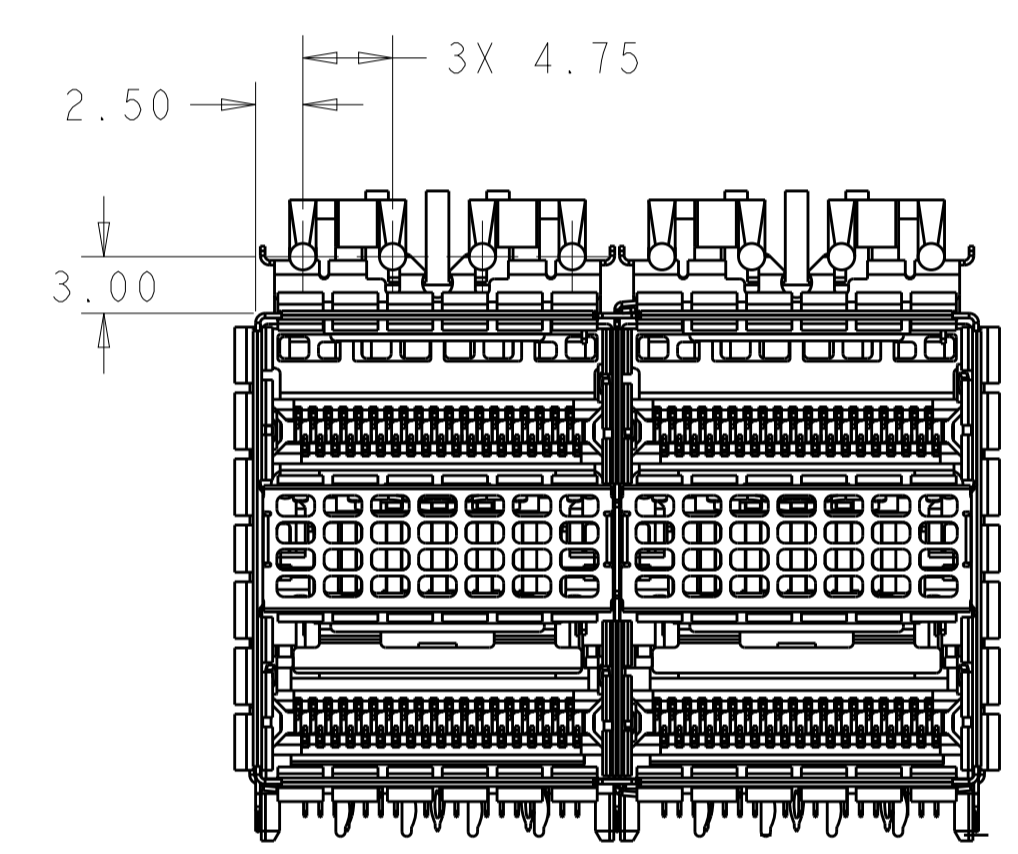
2299870-7
SCALE 2:1



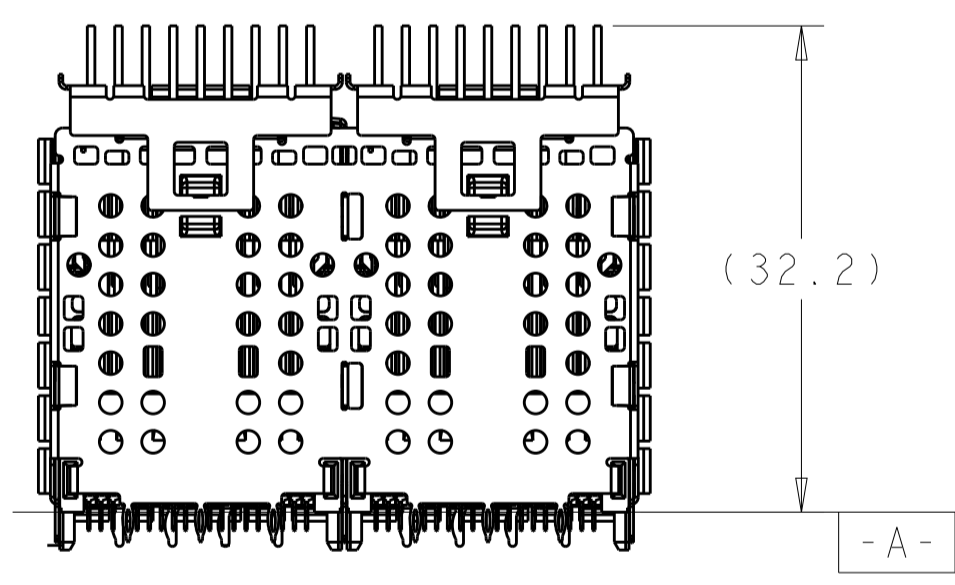
2299870-8
SCALE 2:1



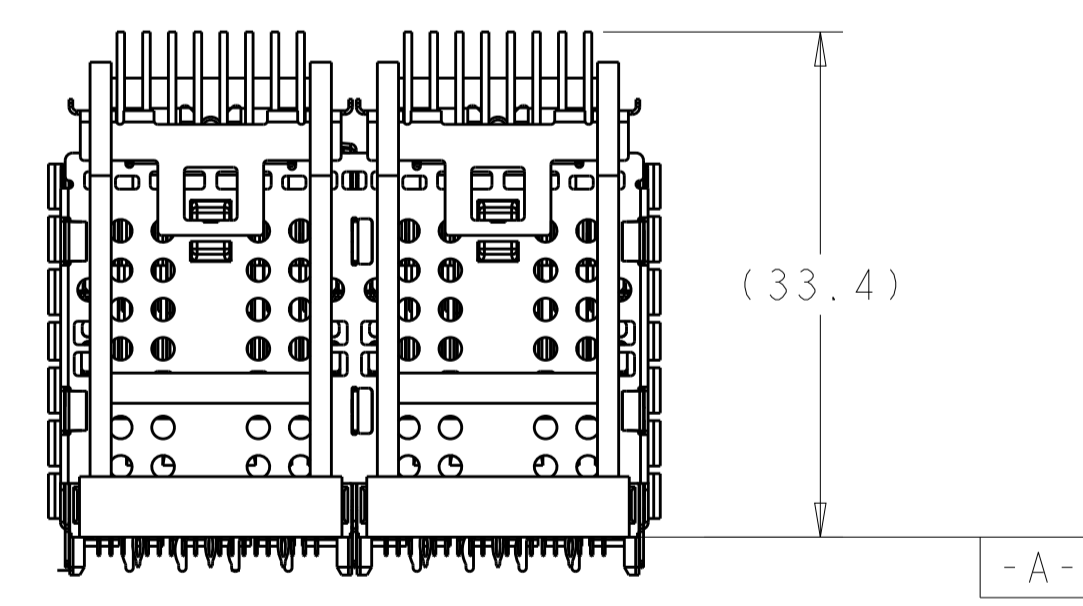
2299870-9
SCALE 2:1



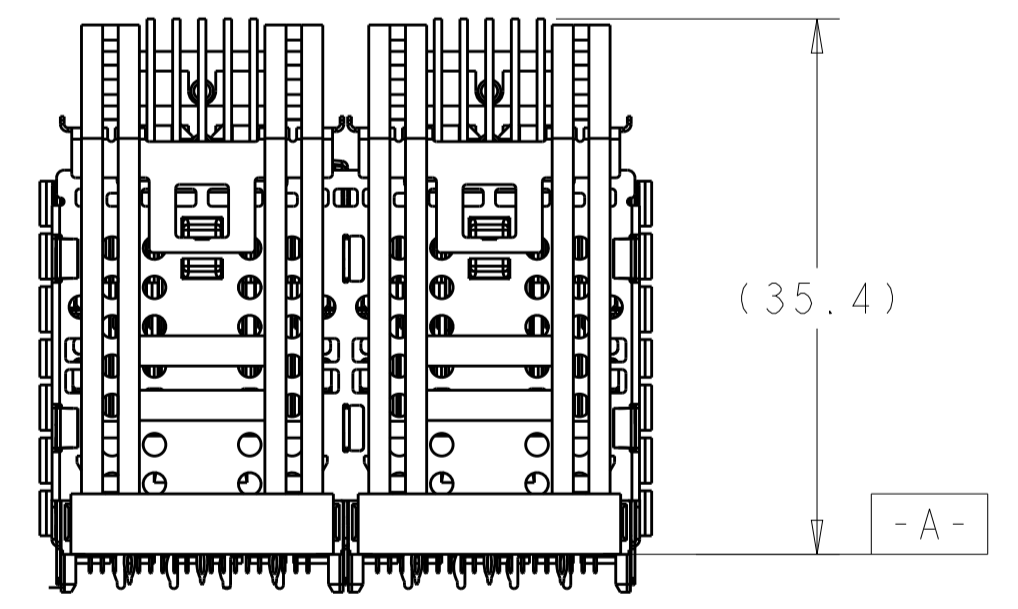
SCALE 5:2



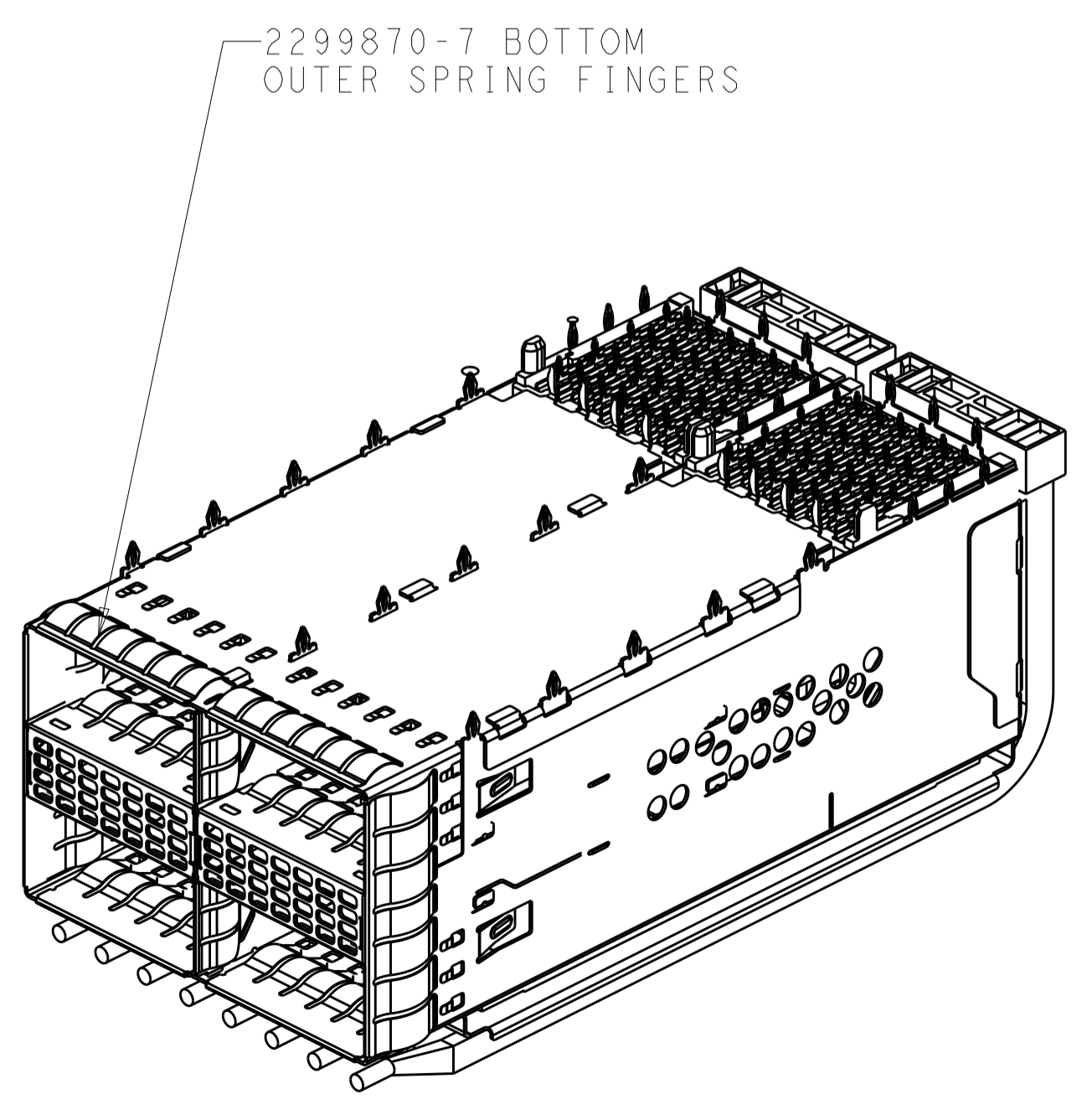
2299870-6
SCALE 2:1



2299870-8
SCALE 2:1



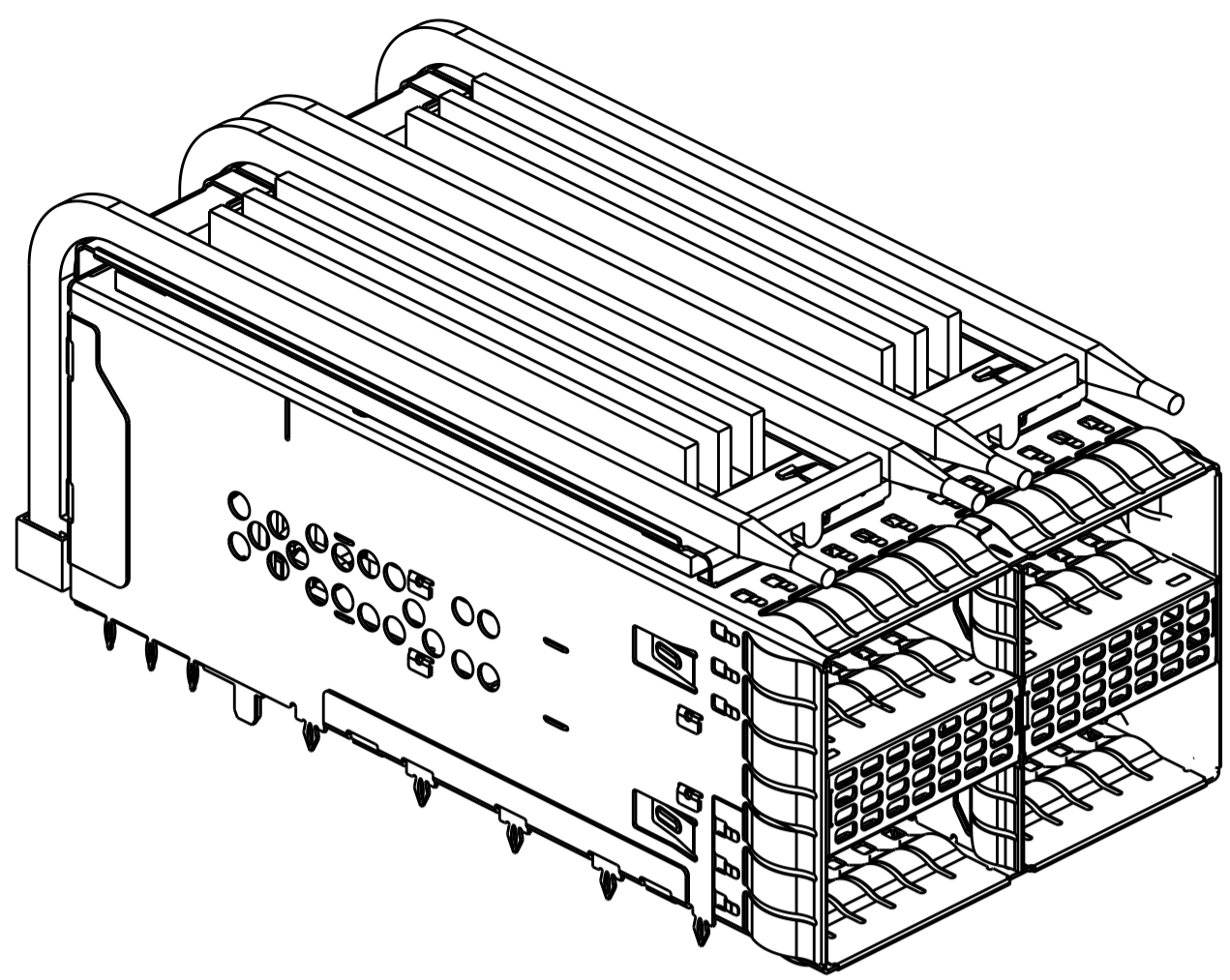
SCALE 2:1



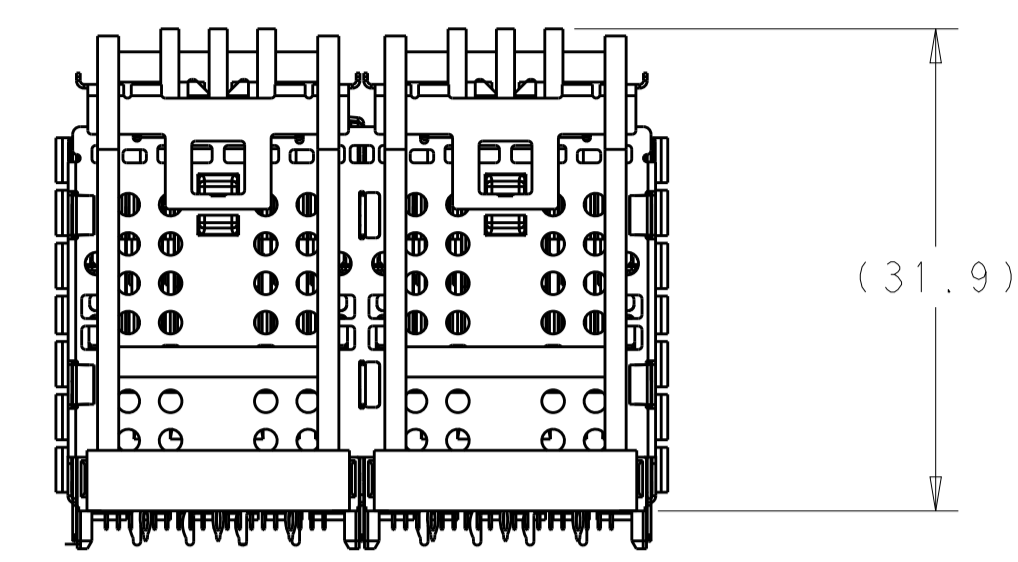
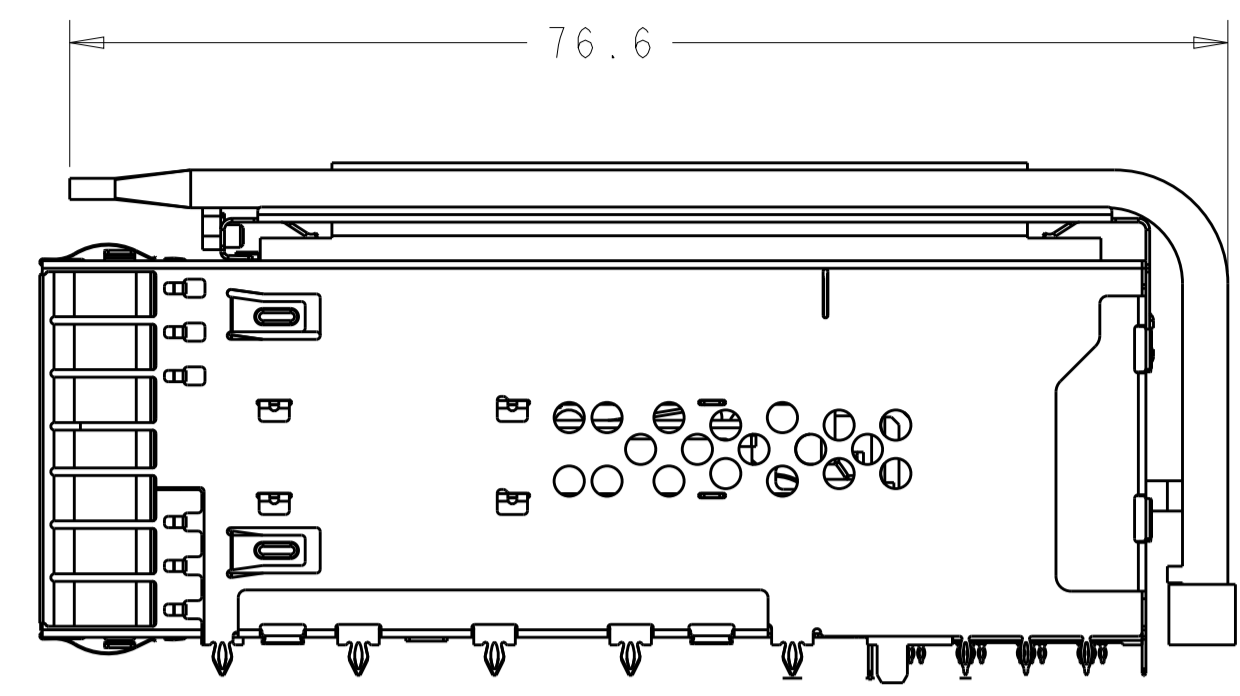
2299870-7
SCALE 2:1

THIS DRAWING IS A CONTROLLED DOCUMENT.		OWN: TIM XUE 28JAN2016	TE Connectivity
DIMENSIONS: mm		CHK: SEAN HAN 28JAN2016	
TOLERANCES UNLESS OTHERWISE SPECIFIED:		APVD: SEAN HAN 28JAN2016	NAME: CAGE AND CONNECTOR ASSEMBLY WITH EMI SPRING FINGERS, THRU BEZEL, 2X2 ZOSFP+ STACKED WITH HS
0 PLC ±	1 PLC ±0.25	PRODUCT SPEC: 108-60102	SIZE: 114-60015
2 PLC ±0.15	3 PLC ±	APPLICATION SPEC: 114-60015	WEIGHT: -
4 PLC ±	ANGLES ±	MATERIAL: -	FINISH: -
SEE NOTE 1	SEE NOTE 2	CUSTOMER DRAWING	SCALE: 4:1 SHEET 3 OF 11 REV E

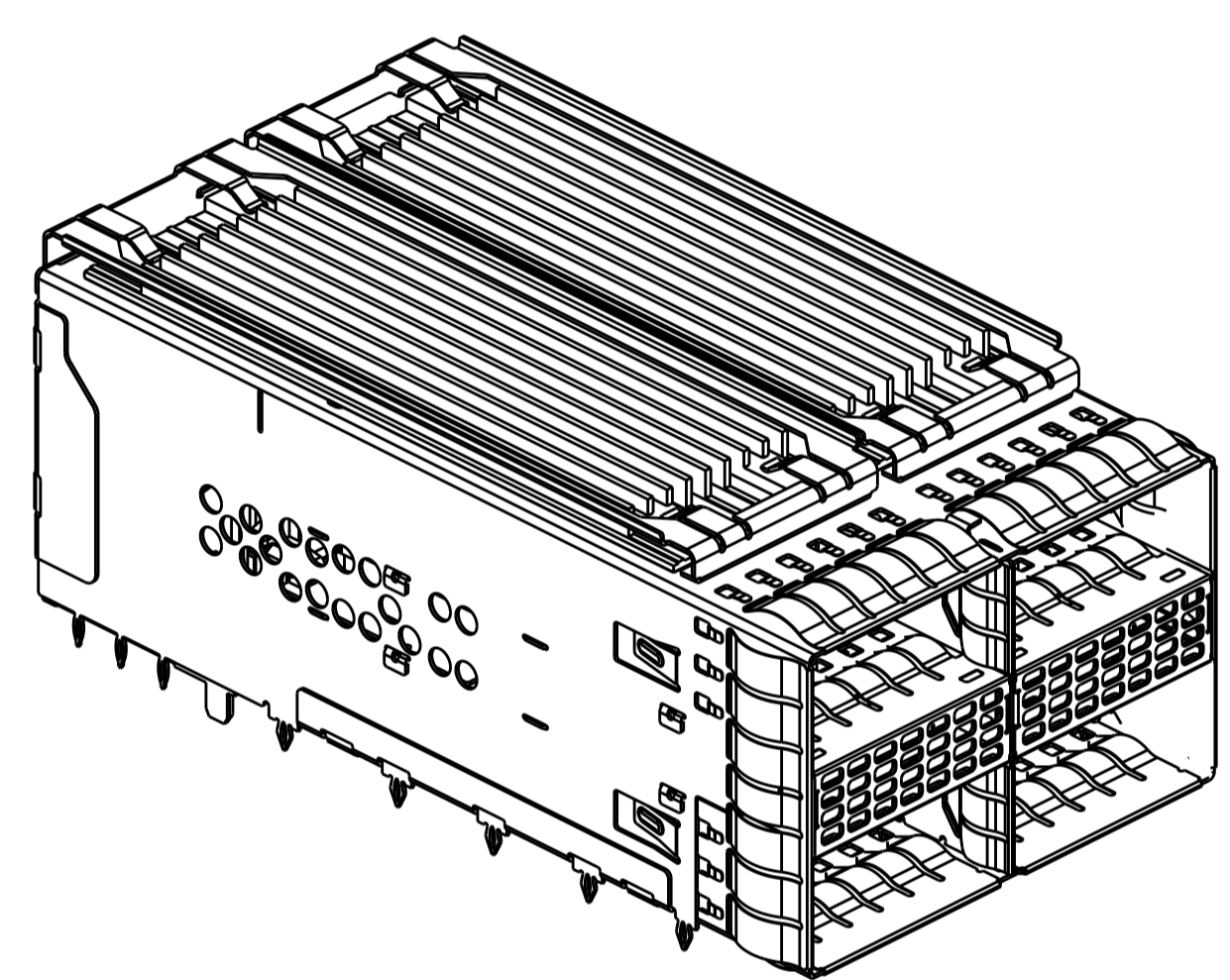
LOC		DIST		REVISIONS			
GP	00	P	LYR	DESCRIPTION	DATE	OWN	APVD
		-		SEE SHEET 1			



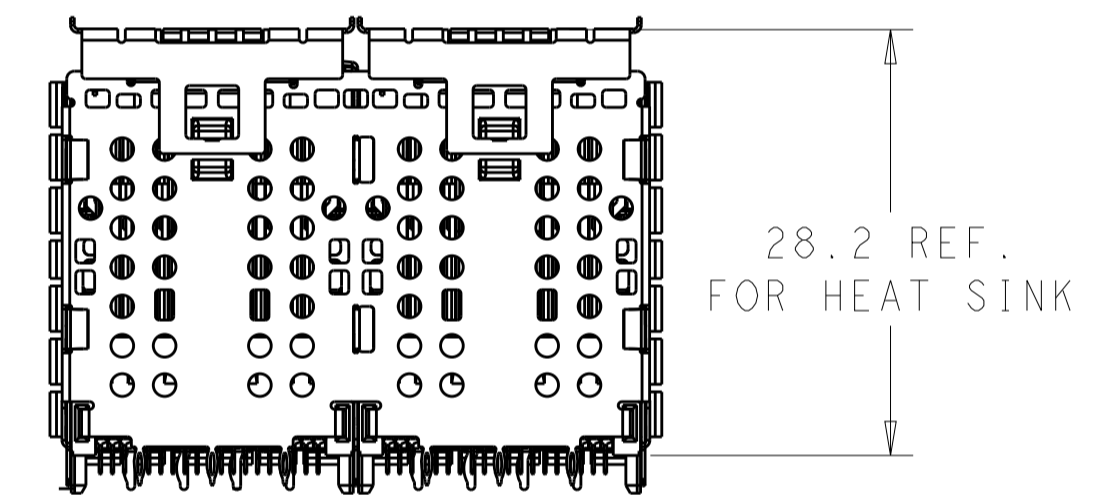
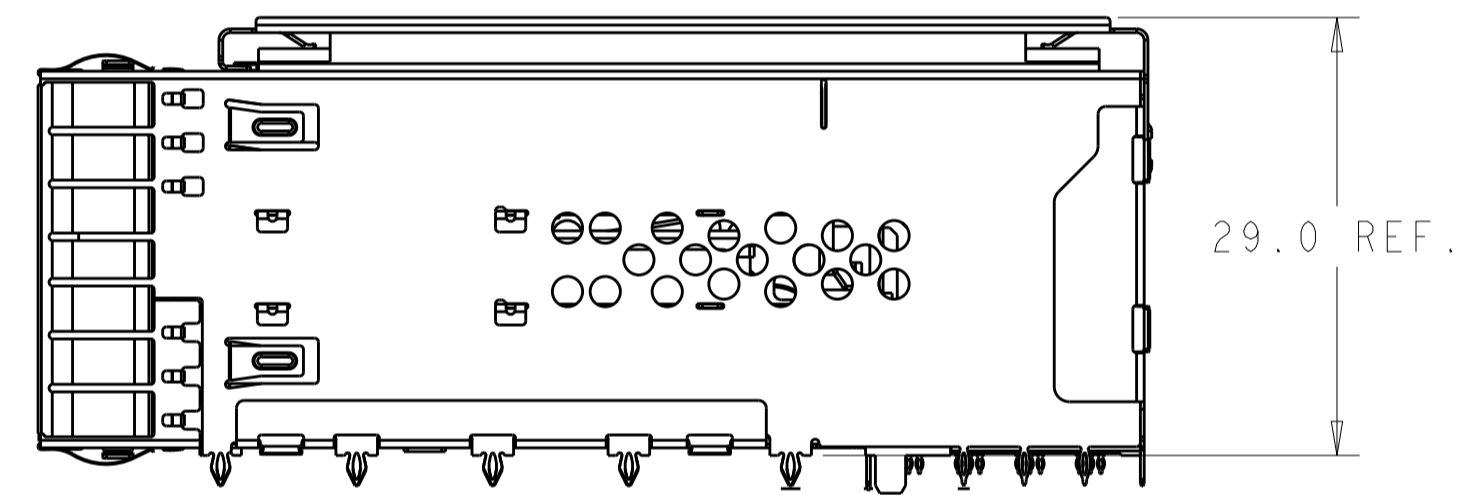
1-2299870-0
SCALE 2:1



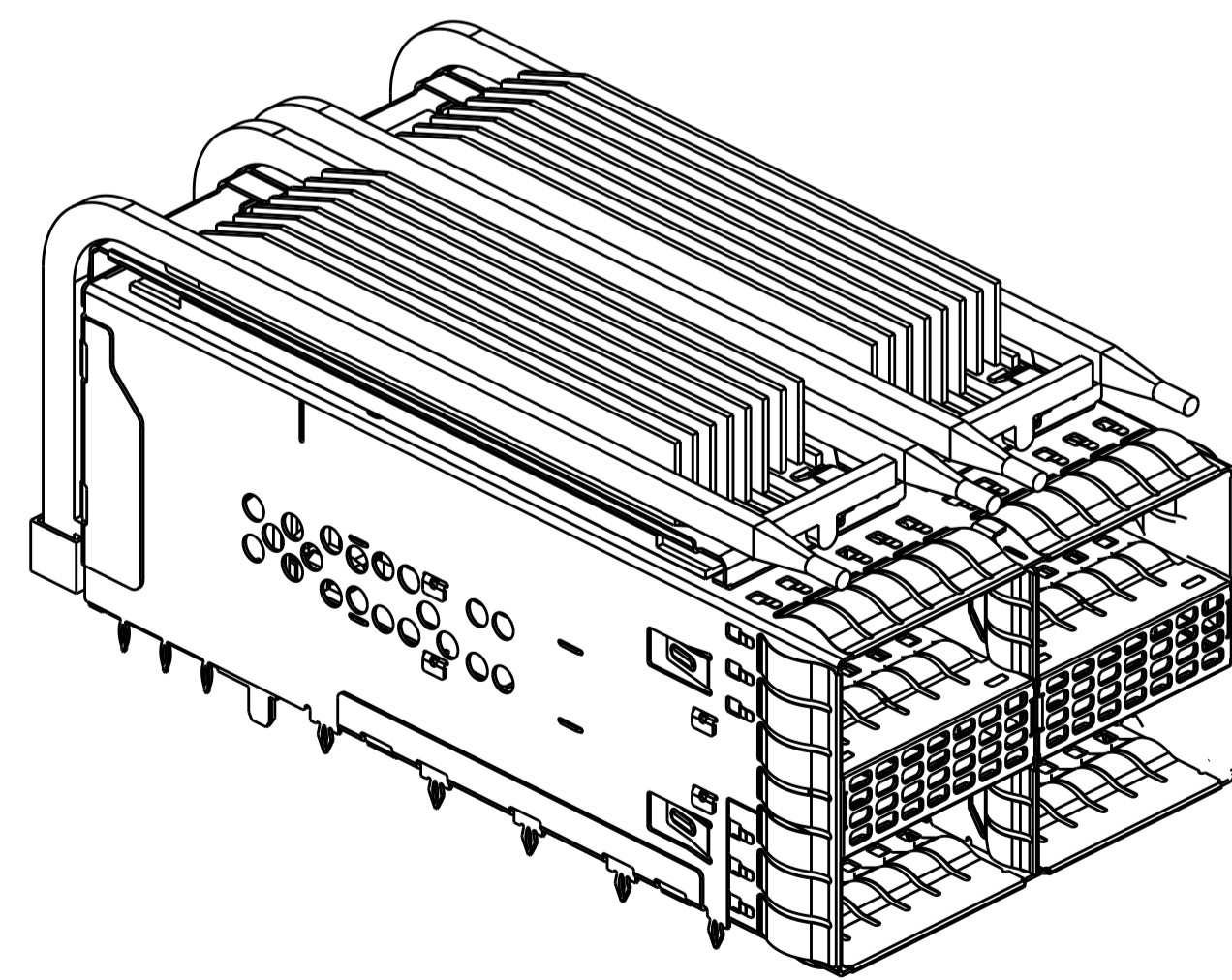
1-2299870-0
SCALE 2:1



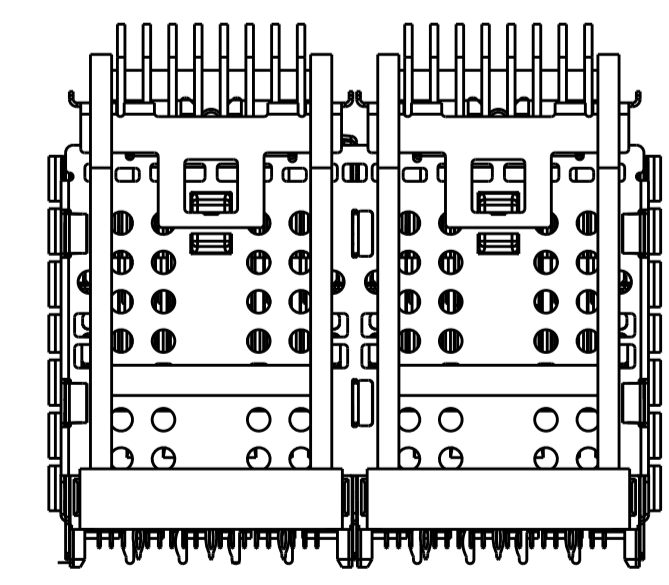
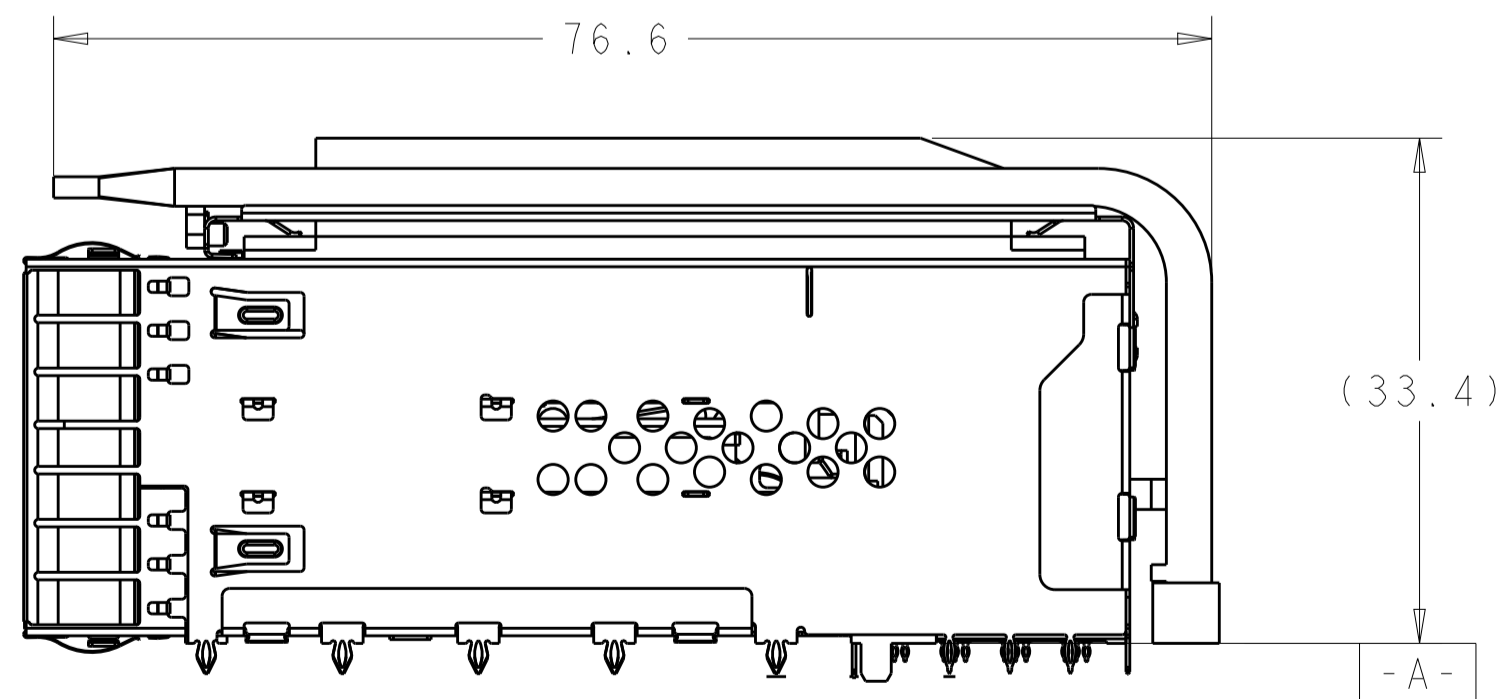
1-2299870-6
SCALE 2:1



SCALE 2:1



1-2299870-8
SCALE 2:1

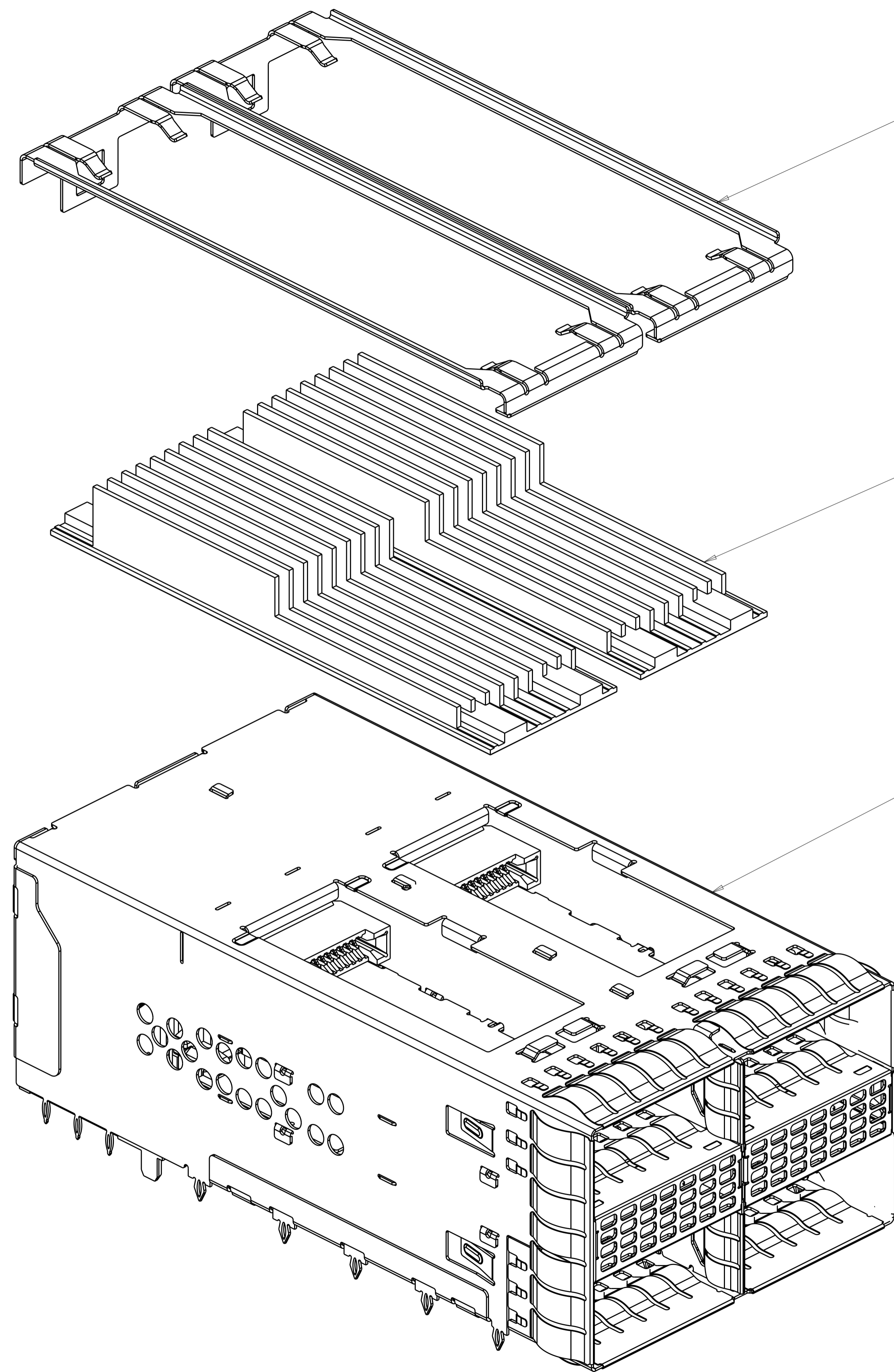


1-2299870-8
SCALE 2:1

THIS DRAWING IS A CONTROLLED DOCUMENT.		OWN TIM XUE 28JAN2016	TE Connectivity
DIMENSIONS:		CHK SEAN HAN 28JAN2016	
mm	TOLERANCES UNLESS OTHERWISE SPECIFIED:	APVD SEAN HAN 28JAN2016	NAME
0 PLC ±	1 PLC ±0.25	PRODUCT SPEC	CAGE AND CONNECTOR ASSEMBLY WITH
2 PLC ±0.15	3 PLC ±	108-60102	EMI SPRING FINGERS, THRU BEZEL,
4 PLC ±	ANGLES ±	APPLICATION SPEC	2X2 ZQSF+ STACKED WITH HS
MATERIAL	FINISH	114-60015	SIZE
SEE NOTE 1	SEE NOTE 2	WEIGHT	CAGE CODE DRAWING NO
CUSTOMER DRAWING		A100779	RESTRICTED TO
		C=2299870	SCALE 4:1 SHEET 4 OF 11 REV E

LOC	DIST	REVISIONS			
P	LTN	DESCRIPTION	DATE	DWN	APVD
GP	00	SEE SHEET 1			

2299870-3 AS SHOWN, KIT PACKAGE



HEAT SINK CLIP
 PN: 1-2300832-7

HEAT SINK
 PN: 1-2304280-3
 COLOR: BLACK

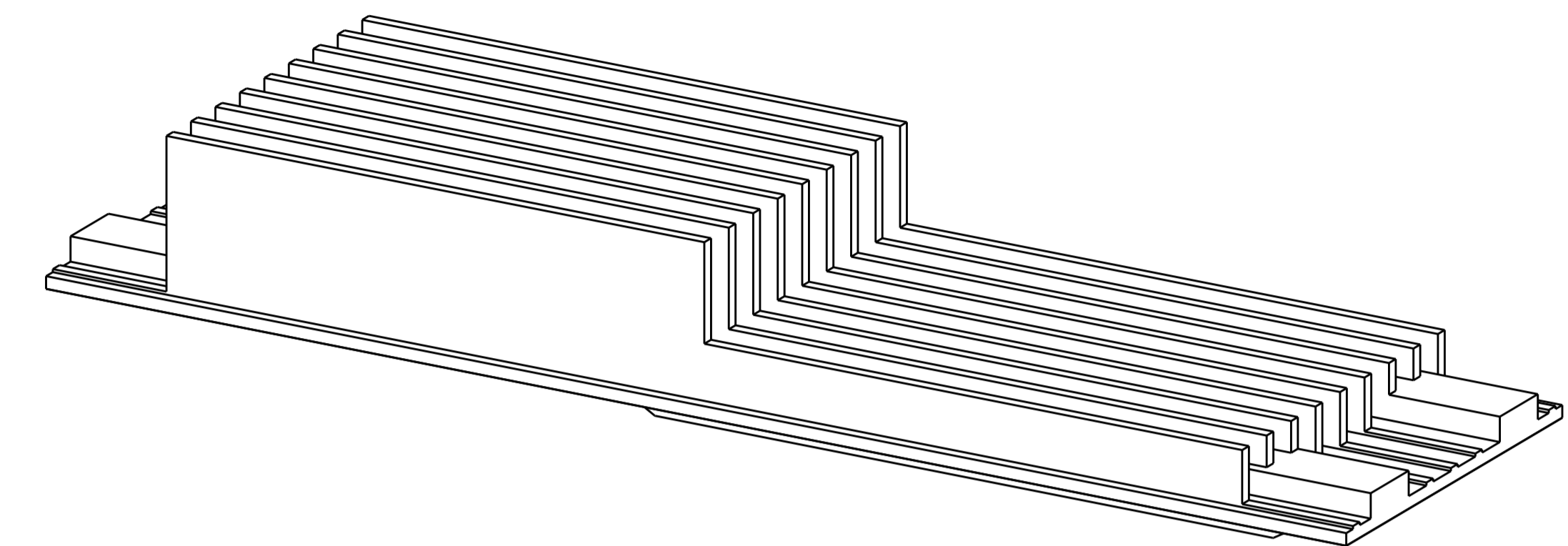
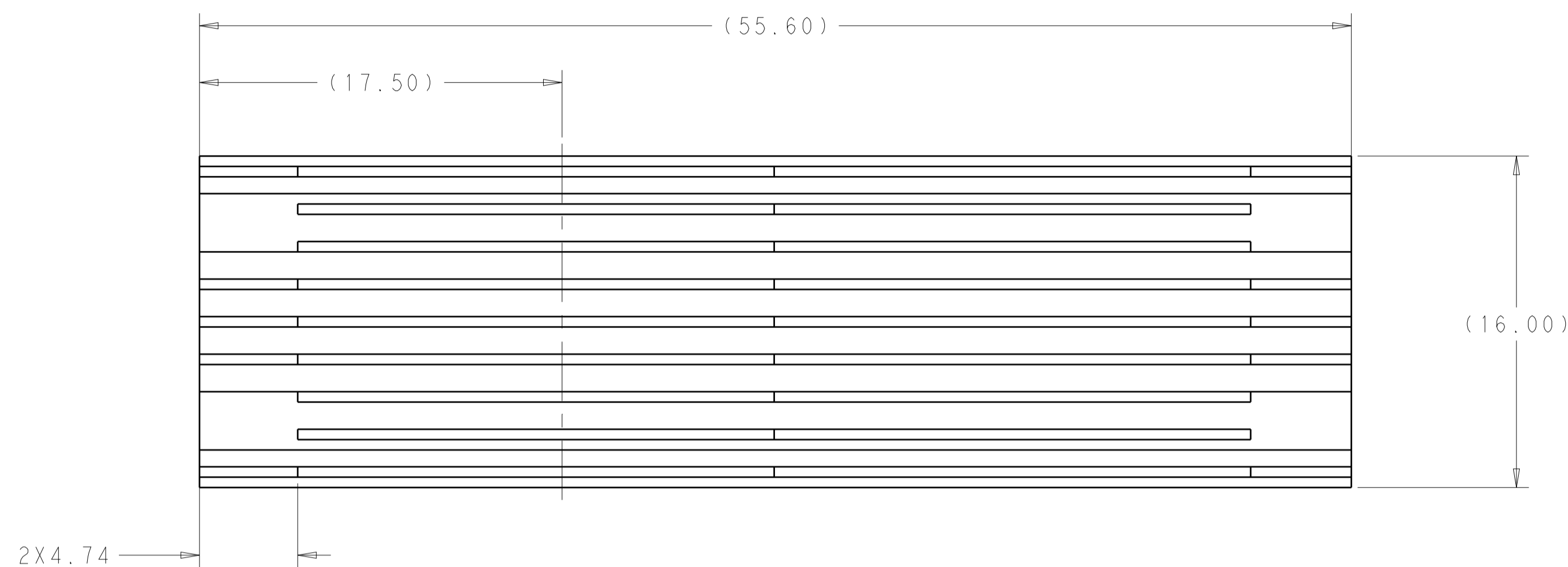
CAGE AND CONNECTOR ASSEMBLY
 PN: 2299870-4

SCALE 4:1

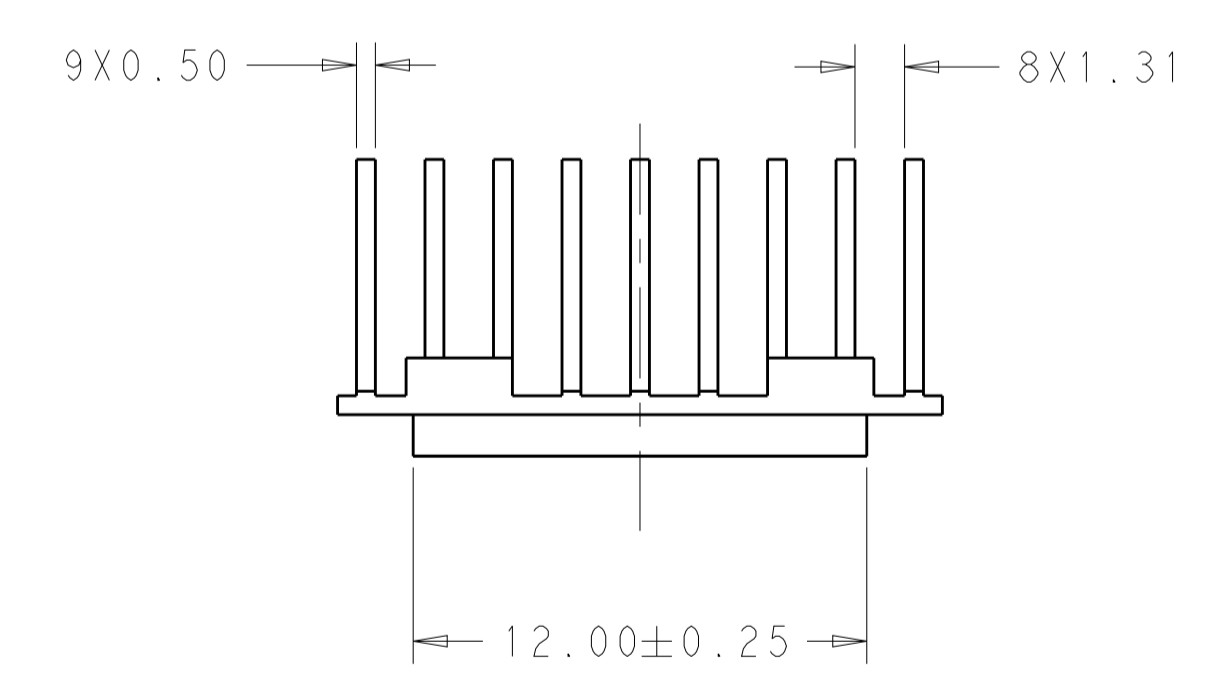
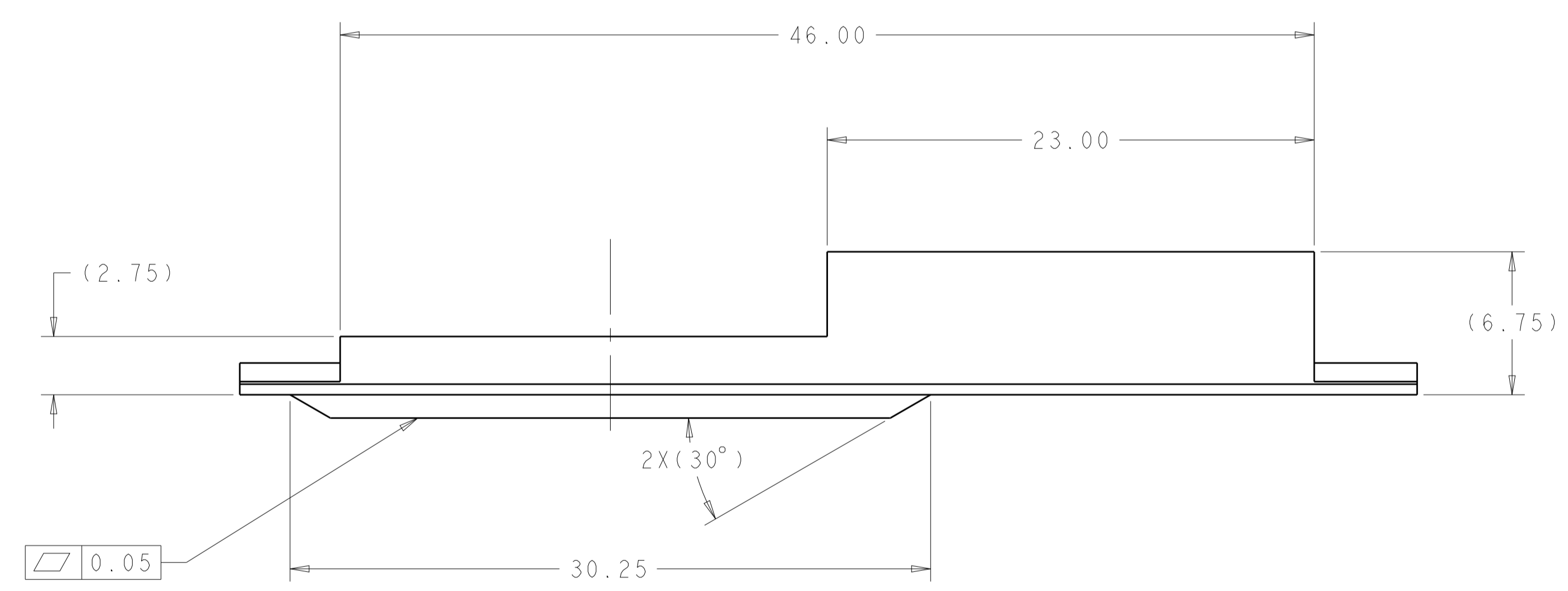
2	1-2300832-7	HEAT SINK CLIP	3
2	1-2304280-3	HEAT SINK	2
1	2299870-4	CAGE AND CONNECTOR ASSEMBLY	1
2299870-3	PART NUMBER	DESCRIPTION	ITEM

THIS DRAWING IS A CONTROLLED DOCUMENT.		OWN	TIM XUE	28JAN2016
DIMENSIONS:		CHK	SEAN HAN	28JAN2016
mm	TOLERANCES UNLESS OTHERWISE SPECIFIED:	APP'D	SEAN HAN	28JAN2016
	0 PLC ±	NAME		
	1 PLC ±0.25	CAGE AND CONNECTOR ASSEMBLY WITH		
	2 PLC ±0.15	EMI SPRING FINGERS, THRU BEZEL,		
	3 PLC ±	2X2 ZQSFP+ STACKED WITH HS		
	4 PLC ±	PRODUCT SPEC		
	ANGLES ±	108-60102		
	FINISH ±	APPLICATION SPEC		
MATERIAL		SIZE	CAGE CODE	DRAWING NO
SEE NOTE 1	SEE NOTE 2	114-60015	A100779	©=2299870
CUSTOMER DRAWING		WEIGHT	RESTRICTED TO	
		SCALE	4:1	SHEET 5 OF 11
		REV	E	

LOC	DIST	REVISIONS			
P	LTN	DESCRIPTION	DATE	DMN	APVD
GP	00	SEE SHEET 1	-	-	-

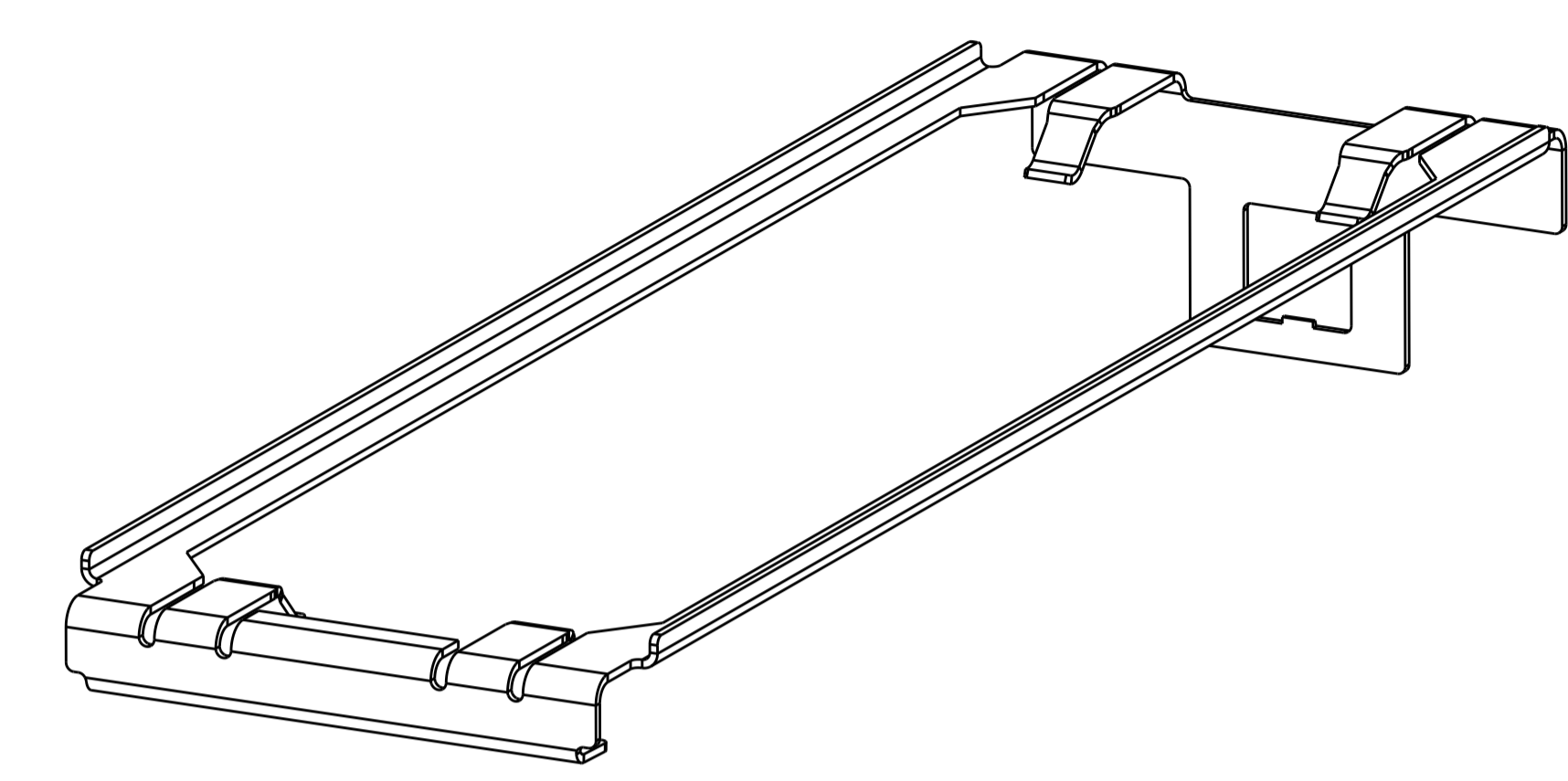
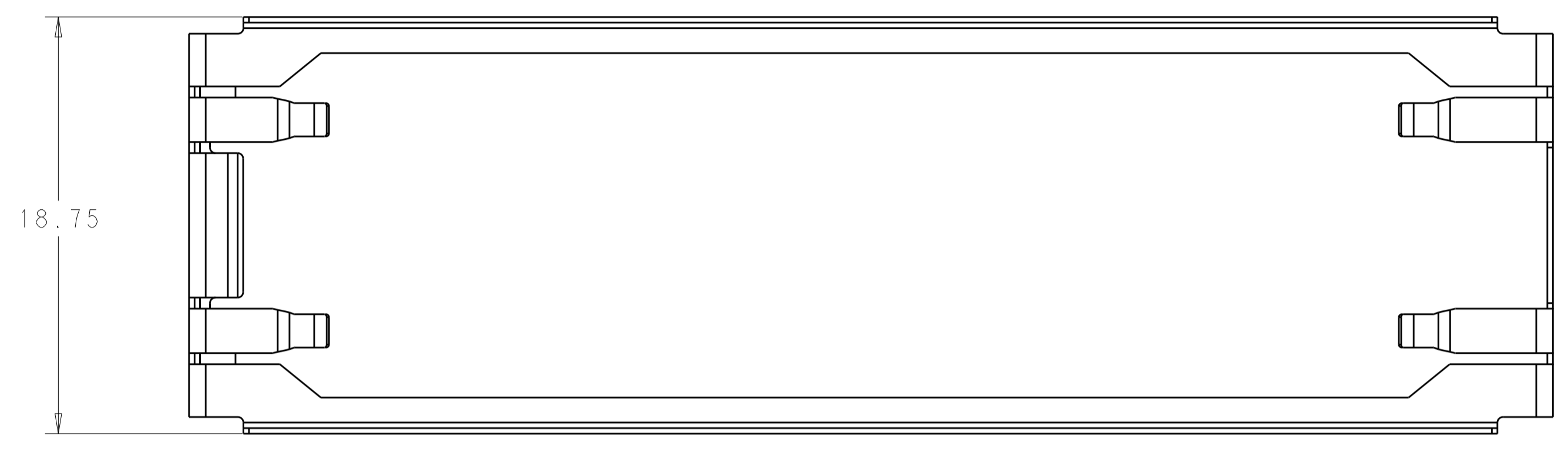


1-2304280-3 HEAT SINK SHOWN
 (THE COLOR IS BLACK)
 SCALE 5:1

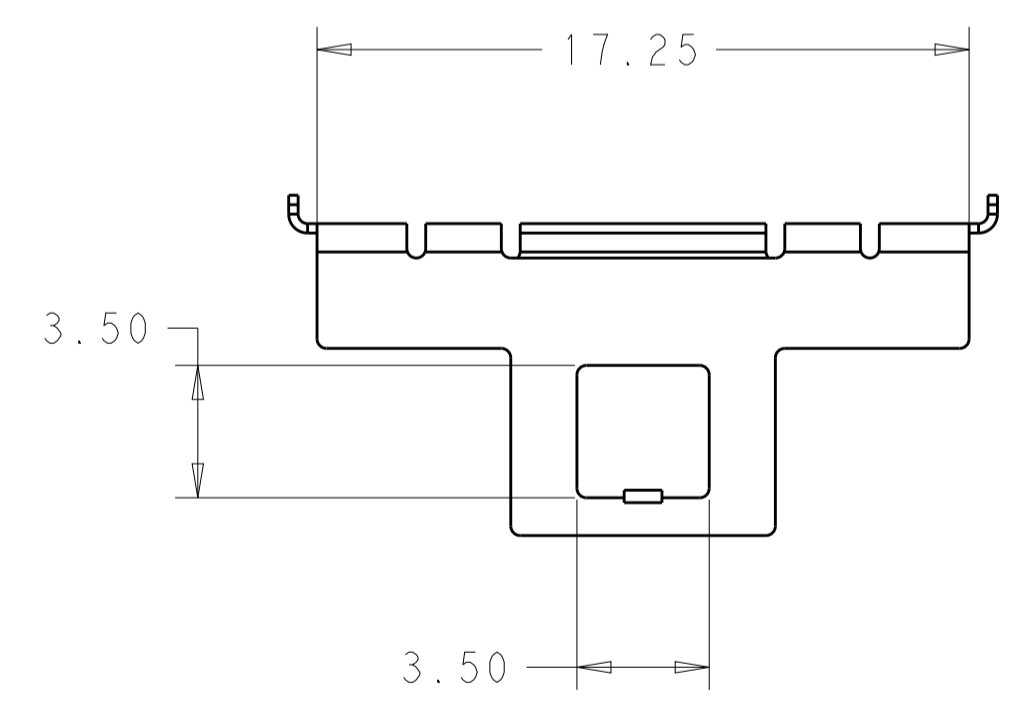
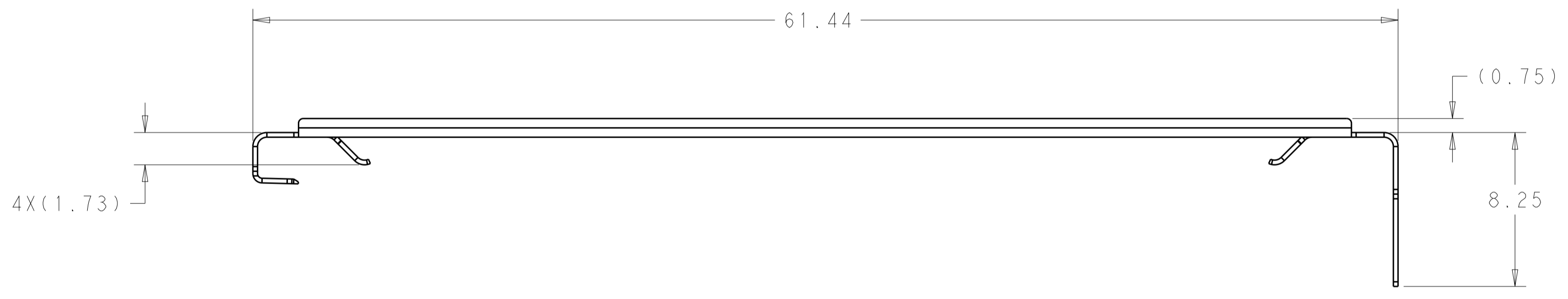


THIS DRAWING IS A CONTROLLED DOCUMENT.		DMN TIM XUE 28JAN2016	TE Connectivity	
DIMENSIONS: mm		CHK SEAN HAN 28JAN2016	STE NAME CAGE AND CONNECTOR ASSEMBLY WITH EMI SPRING FINGERS, THRU BEZEL, 2X2 ZQSFP+ STACKED WITH HS	
TOLERANCES UNLESS OTHERWISE SPECIFIED:		APVD SEAN HAN 28JAN2016		
0 PLC ± 1 PLC ±0.25 2 PLC ±0.15 3 PLC ± 4 PLC ± ANGLES ±		PRODUCT SPEC 108-60102		
MATERIAL SEE NOTE 1		APPLICATION SPEC 114-60015		
FINISH SEE NOTE 2		WEIGHT -	SIZE A100779	DRAWING NO C=2299870
CUSTOMER DRAWING		SCALE 4:1	SHEET 6	OF 11
		REV E		

LOC	DIST	REVISIONS			
P	LTN	DESCRIPTION	DATE	DMN	APVD
GP	00	SEE SHEET 1	-	-	-



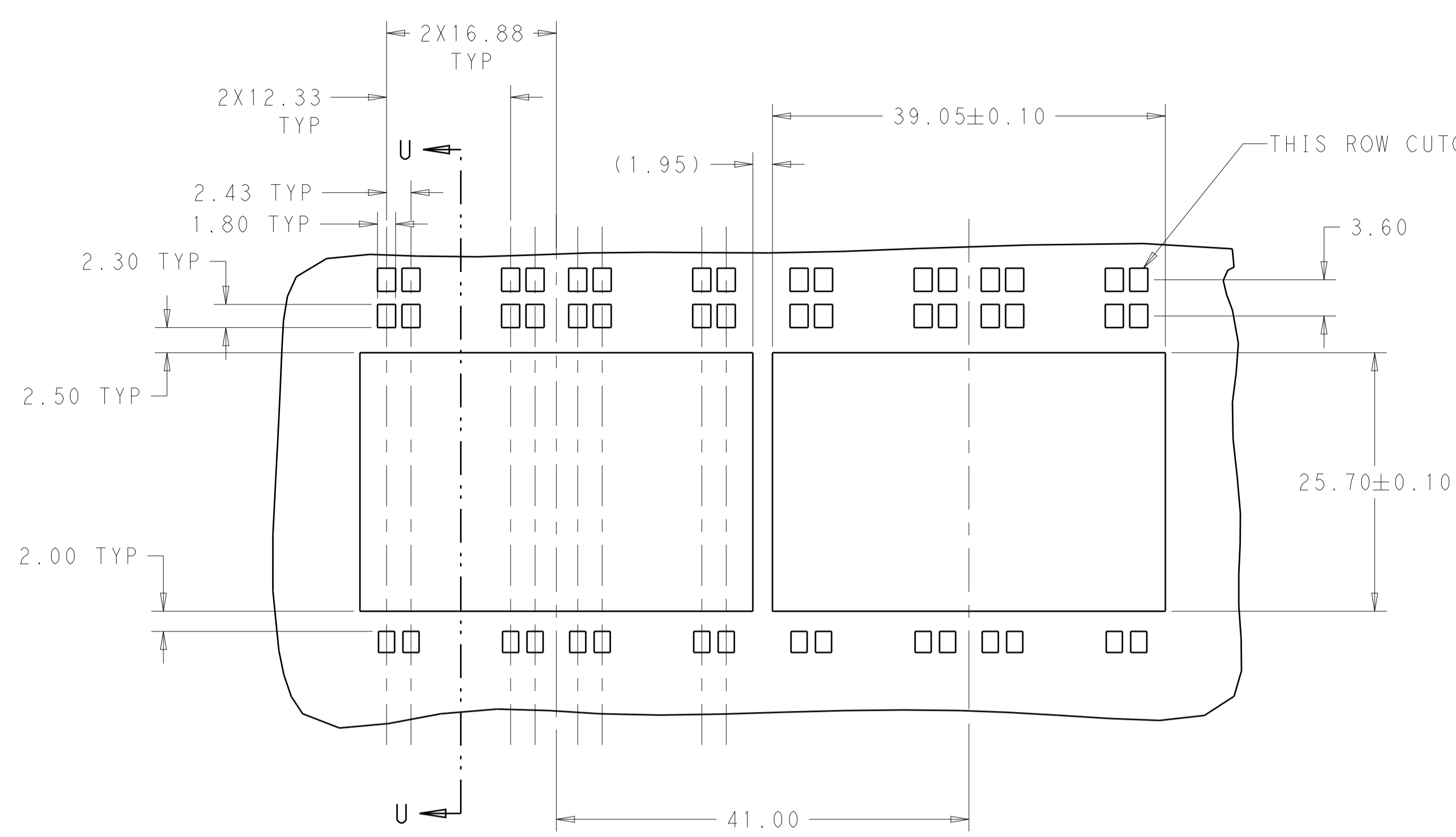
1-2300832-7, HEAT SINK CLIP
 SCALE 5:1



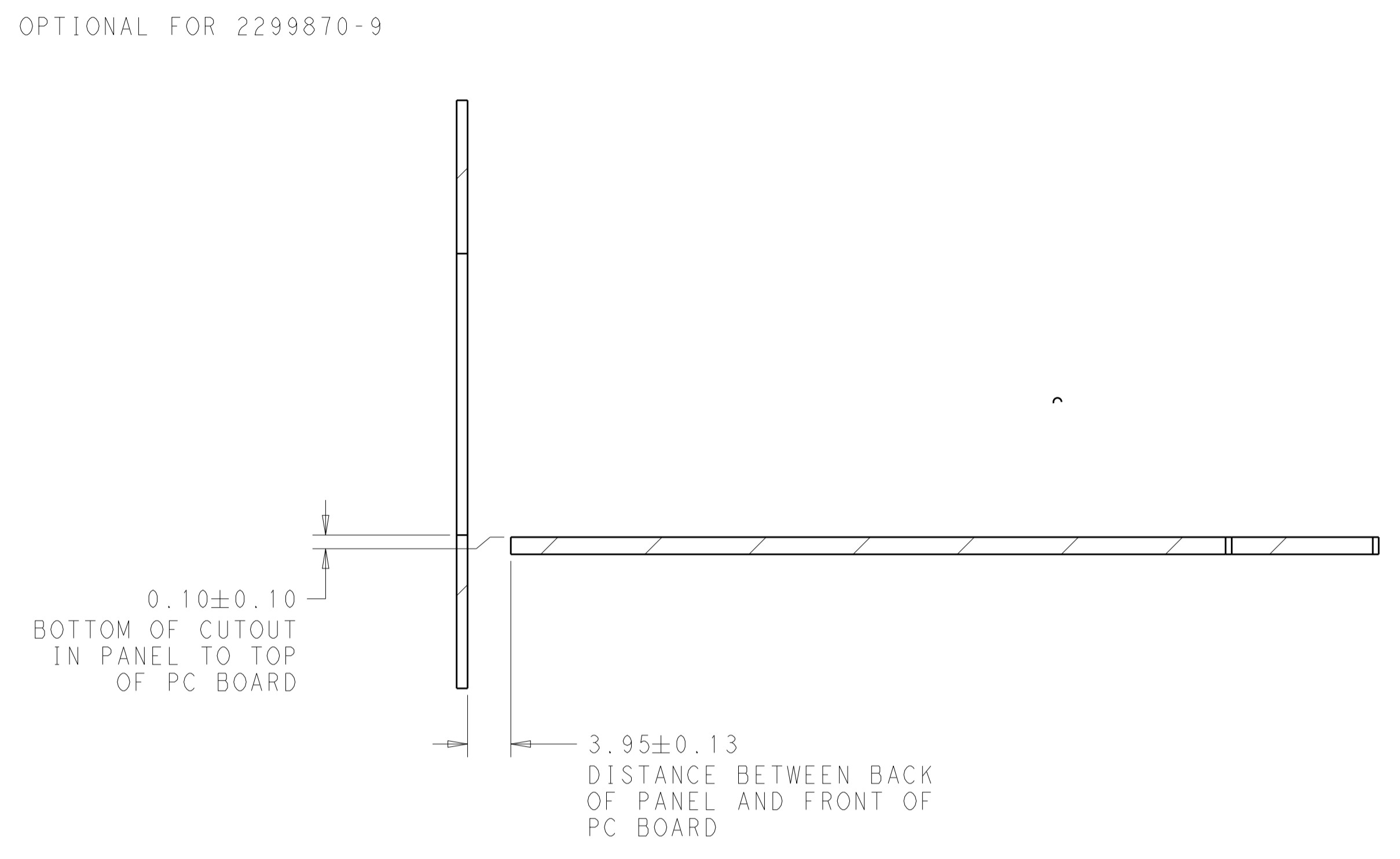
THIS DRAWING IS A CONTROLLED DOCUMENT.		DMN	TIM XUE	28JAN2016	TE Connectivity NAME CAGE AND CONNECTOR ASSEMBLY WITH EMI SPRING FINGERS, THRU BEZEL, 2X2 ZQSFP+ STACKED WITH HS	
DIMENSIONS:		CHK	SEAN HAN	28JAN2016		
mm		APVD	SEAN HAN	28JAN2016		
TOLERANCES UNLESS OTHERWISE SPECIFIED: 0 PLC ± 1 PLC ±0.25 2 PLC ±0.15 3 PLC ± 4 PLC ± ANGLES ±		PRODUCT SPEC	108-60102	SIZE		114-60015
MATERIAL		FINISH	WEIGHT	CAGE CODE	DRAWING NO	RESTRICTED TO
SEE NOTE 1		SEE NOTE 2		CUSTOMER DRAWING	A100779C=2299870	-
SCALE				4:1	SHEET	7 OF 11
REV				E		

LOC	DIST	REV	DATE	BY	APPD
GP	00				

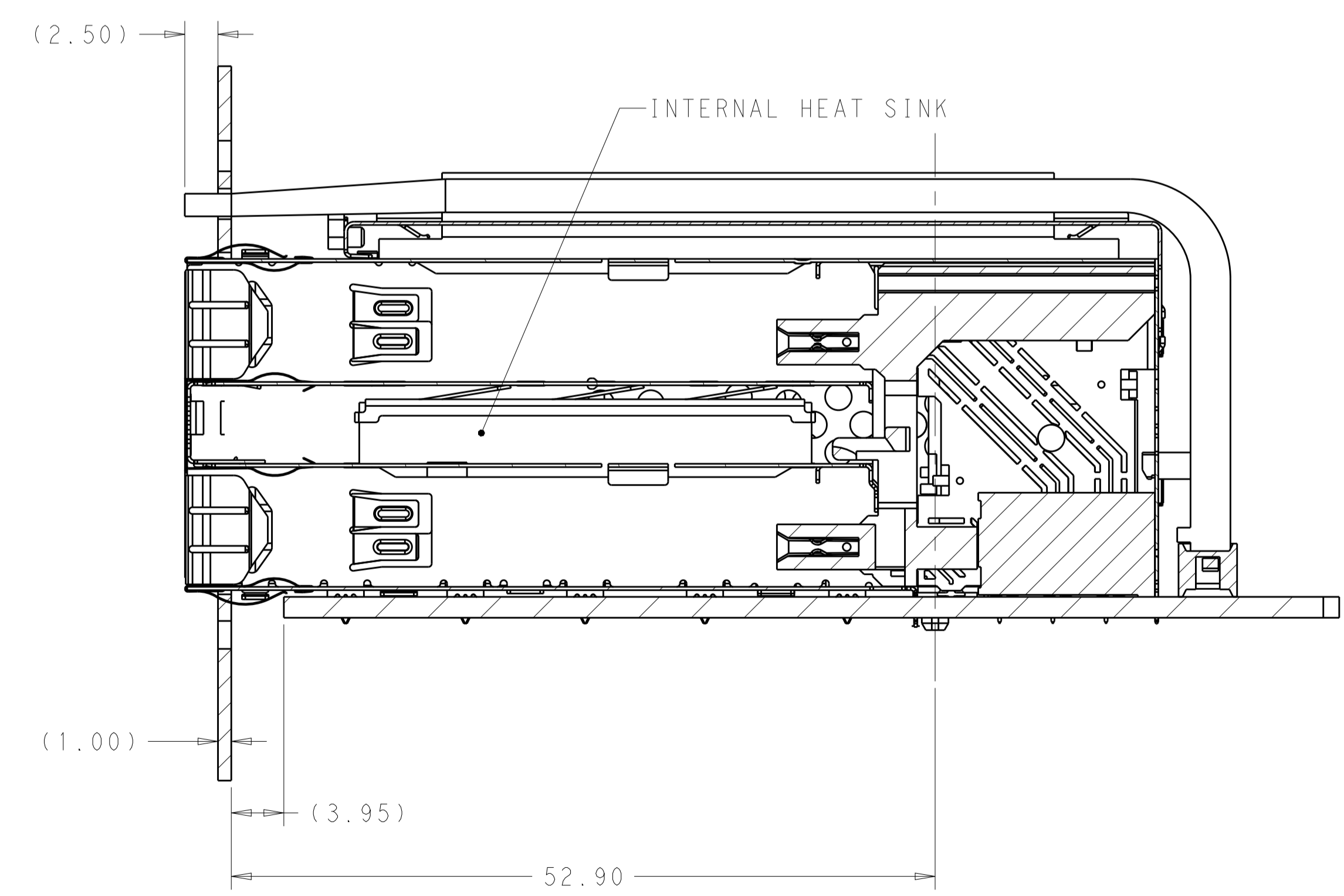
REVISIONS			
NO.	DESCRIPTION	DATE	BY
-	SEE SHEET 1	-	-



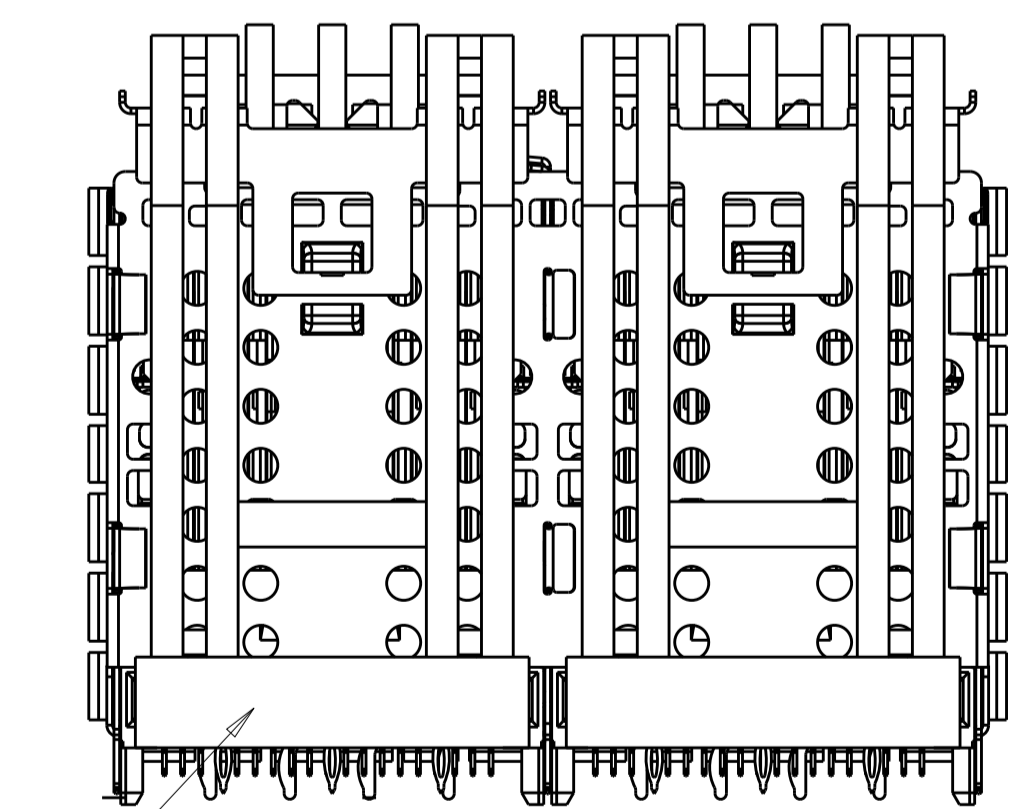
RECOMMENDED PANEL CUTOUT
 AND PC BOARD PANEL POSITION
 SCALE 5:2



SECTION U-U



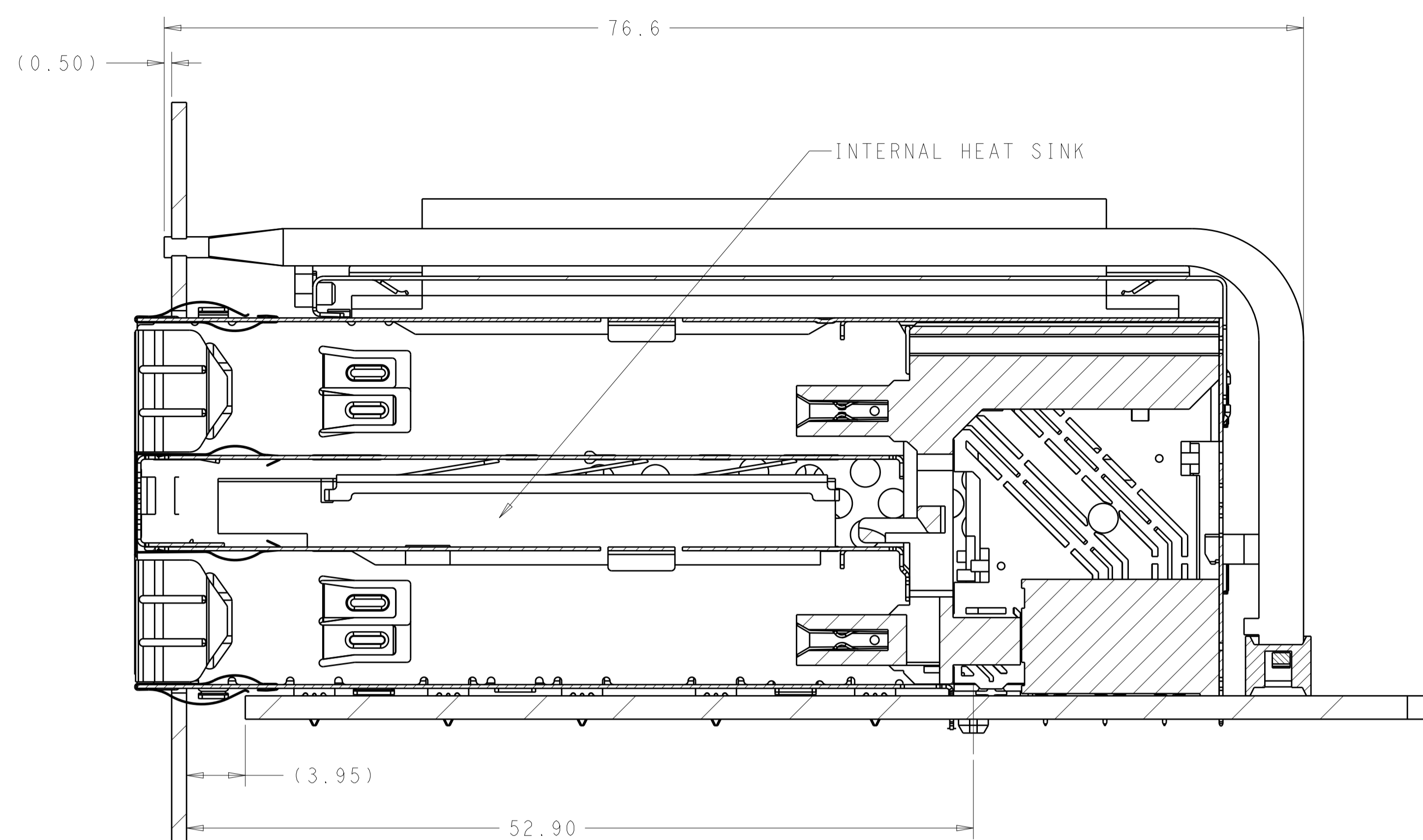
2299870-1 BEZEL LOCATION AS SHOWN
 SECTION V-V
 SCALE 3:1



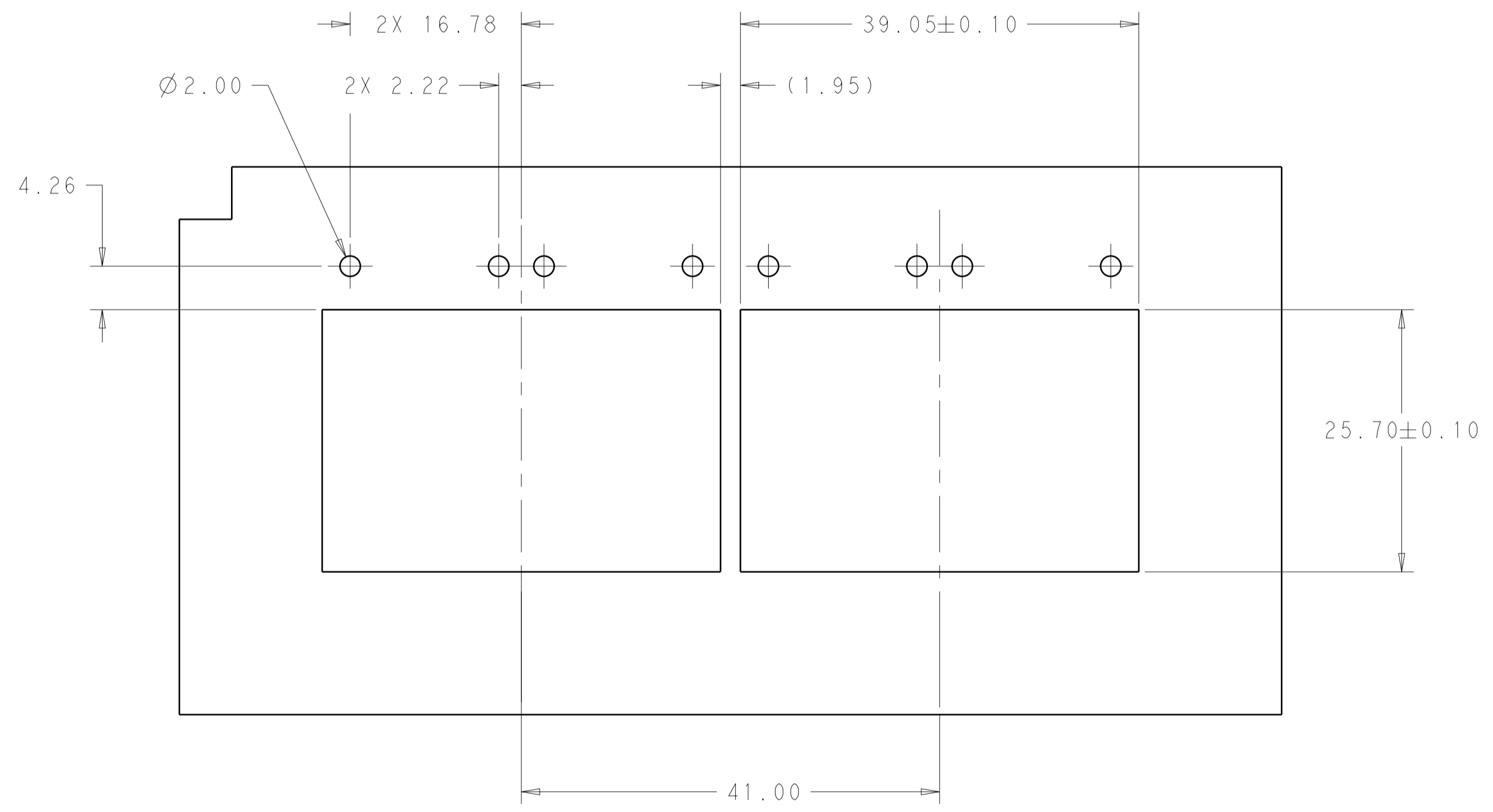
ORGNIZER

THIS DRAWING IS A CONTROLLED DOCUMENT.		OWN: TIM XUE 28JAN2016	TE Connectivity
DIMENSIONS: mm		CHK: SEAN HAN 28JAN2016	
TOLERANCES UNLESS OTHERWISE SPECIFIED:		APPD: SEAN HAN 28JAN2016	
0 PLC ± 1 PLC ±0.25 2 PLC ±0.15 3 PLC ± 4 PLC ± ANGLES ± FINISH ±		NAME: CAGE AND CONNECTOR ASSEMBLY WITH EMI SPRING FINGERS, THRU BEZEL, 2X2 ZQSF+ STACKED WITH HS	
MATERIAL: SEE NOTE 1	FINISH: SEE NOTE 2	PRODUCT SPEC: 108-60102	SIZE: A100779
CUSTOMER DRAWING		APPLICATION SPEC: 114-60015	SCALE: 4:1
		WEIGHT: -	SHEET: 8 OF 11
		RESTRICTED TO: -	REV: E

LOC	DIST	REVISIONS			
P	LTN	DESCRIPTION	DATE	DMN	APVD
GP	00	SEE SHEET 1	-	-	-



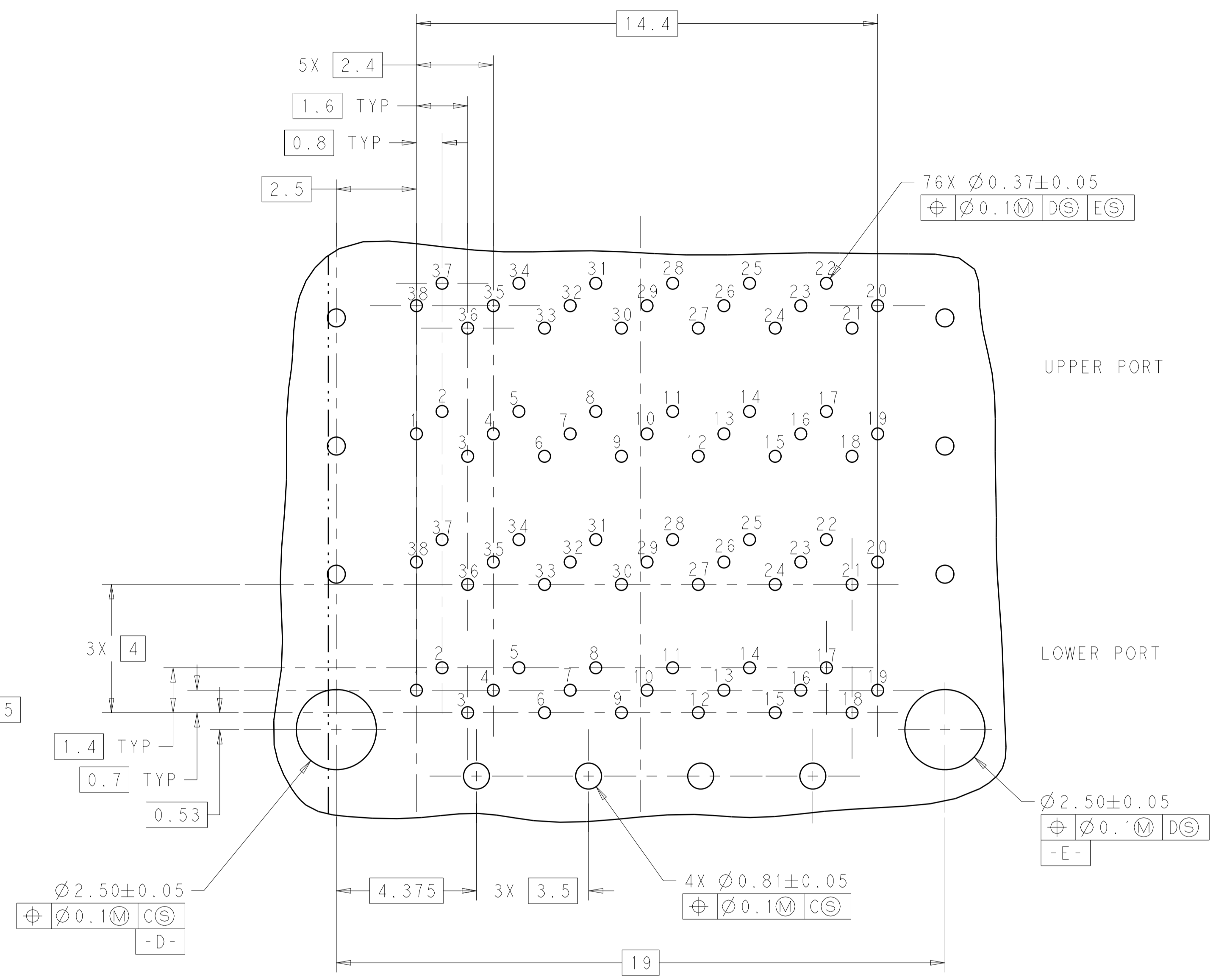
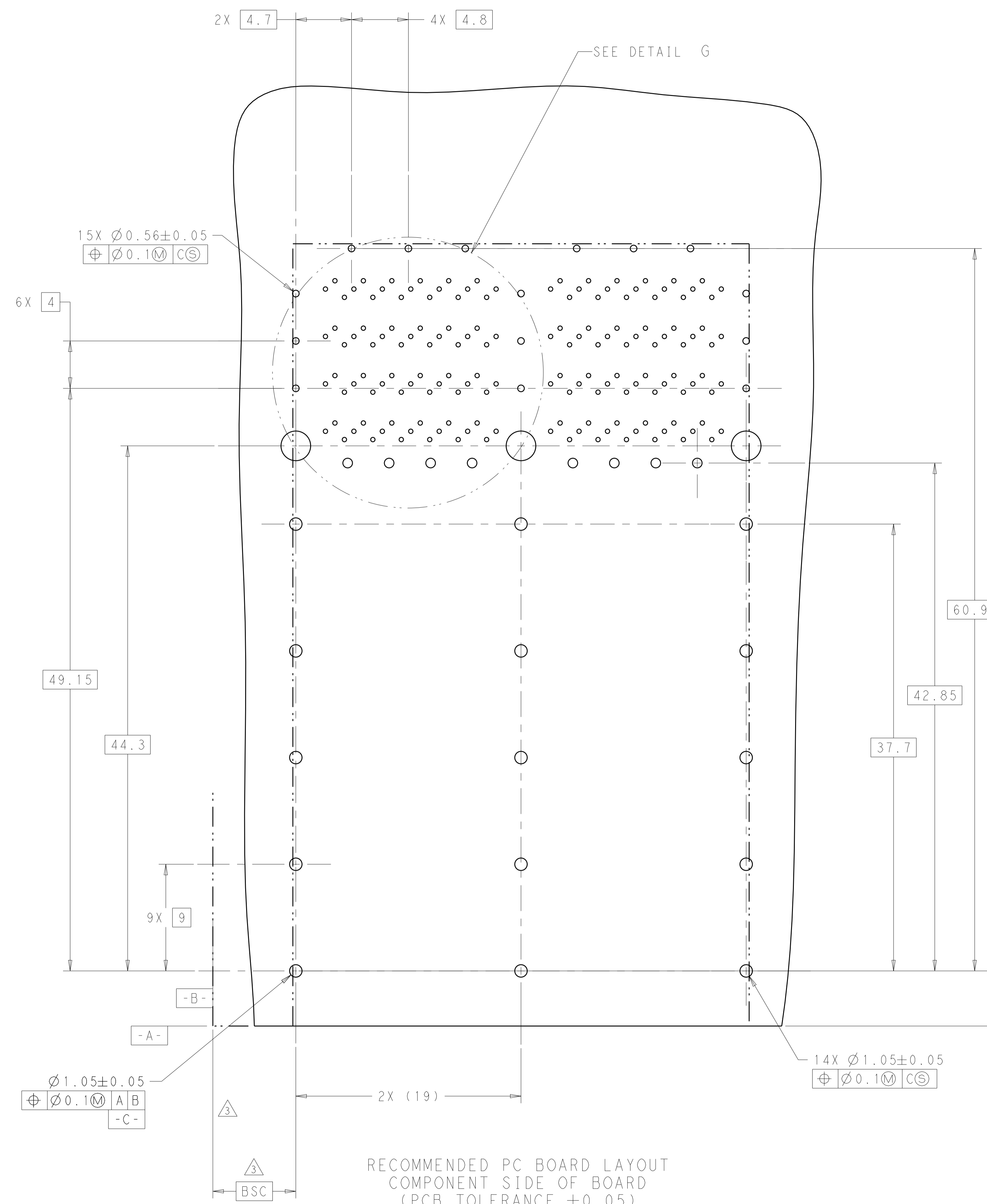
2299870-8
 1-2299870-8
 SECTION V-V
 SCALE 4:1



2299870-8
 1-2299870-0
 1-2299870-8
 RECOMMENDED PANEL CUTOUT
 SCALE 5:2

THIS DRAWING IS A CONTROLLED DOCUMENT.		DMN TIM XUE 28JAN2016	TE Connectivity
DIMENSIONS: mm		CHK SEAN HAN 28JAN2016	
TOLERANCES UNLESS OTHERWISE SPECIFIED:		APVD SEAN HAN 28JAN2016	NAME CAGE AND CONNECTOR ASSEMBLY WITH EMI SPRING FINGERS, THRU BEZEL, 2X2 ZQSP+ STACKED WITH HS
0 PLC ±	1 PLC ±0.25	PRODUCT SPEC 108-60102	SIZE 114-60015
2 PLC ±	3 PLC ±	APPLICATION SPEC	CAGE CODE A100779
4 PLC ±	ANGLES ±	WEIGHT	DRAWING NO C=2299870
MATERIAL SEE NOTE 1	FINISH SEE NOTE 2	CUSTOMER DRAWING	RESTRICTED TO SCALE 4:1 SHEET 9 OF 11 REV E

LOC	DIST	REVISIONS			
GP	00	REV	DATE	BY	APPD
-	-	SEE SHEET 1	-	-	-

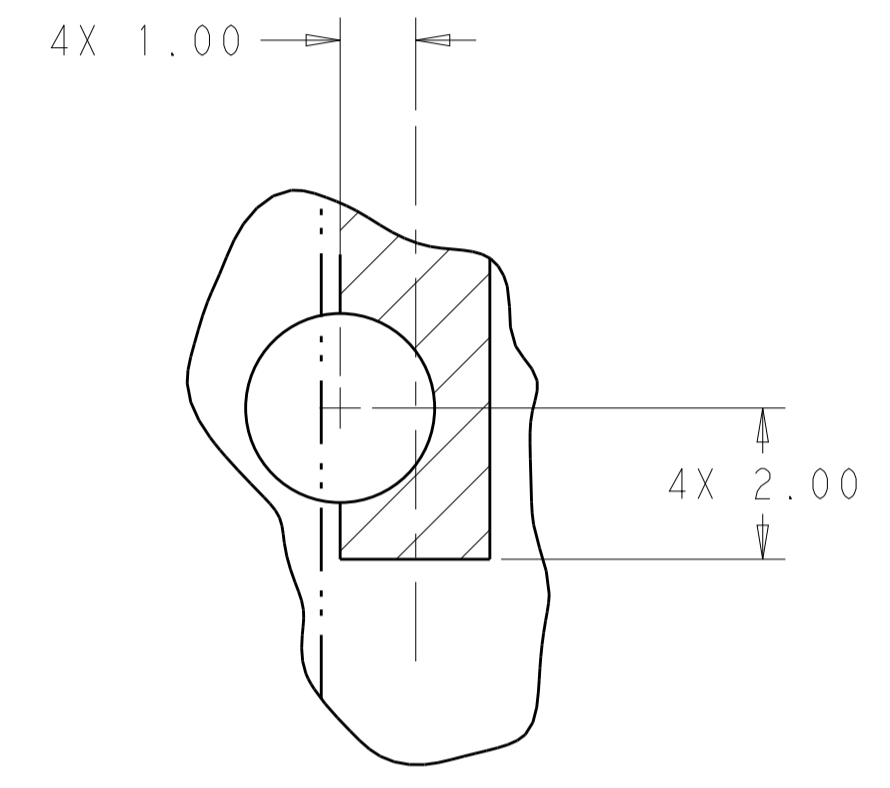
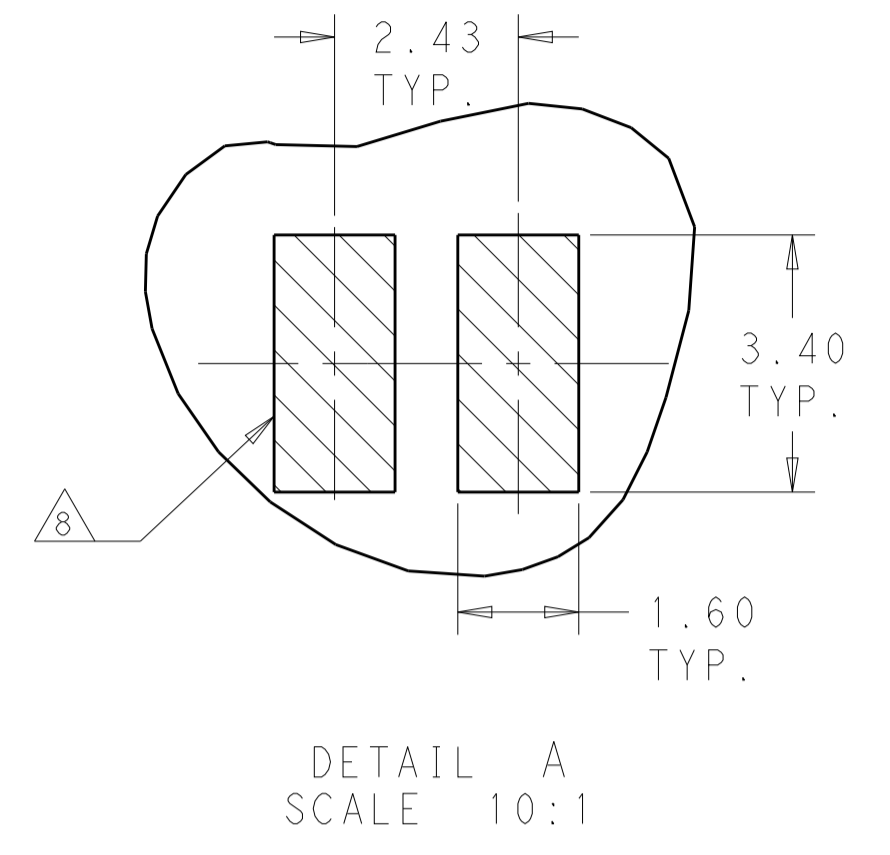
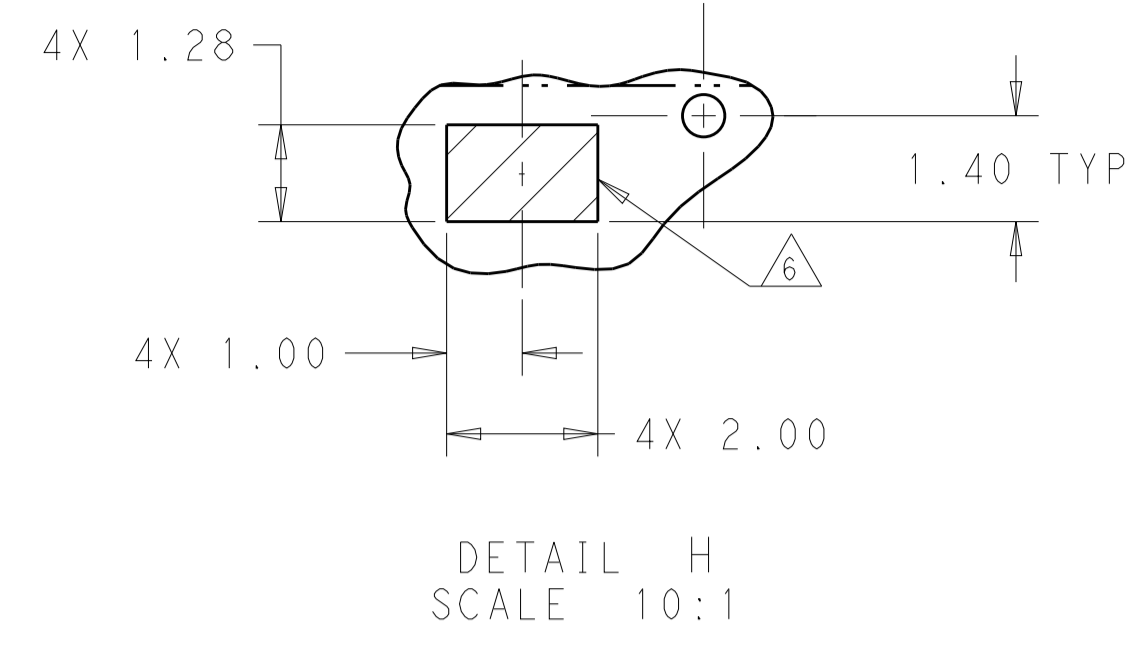
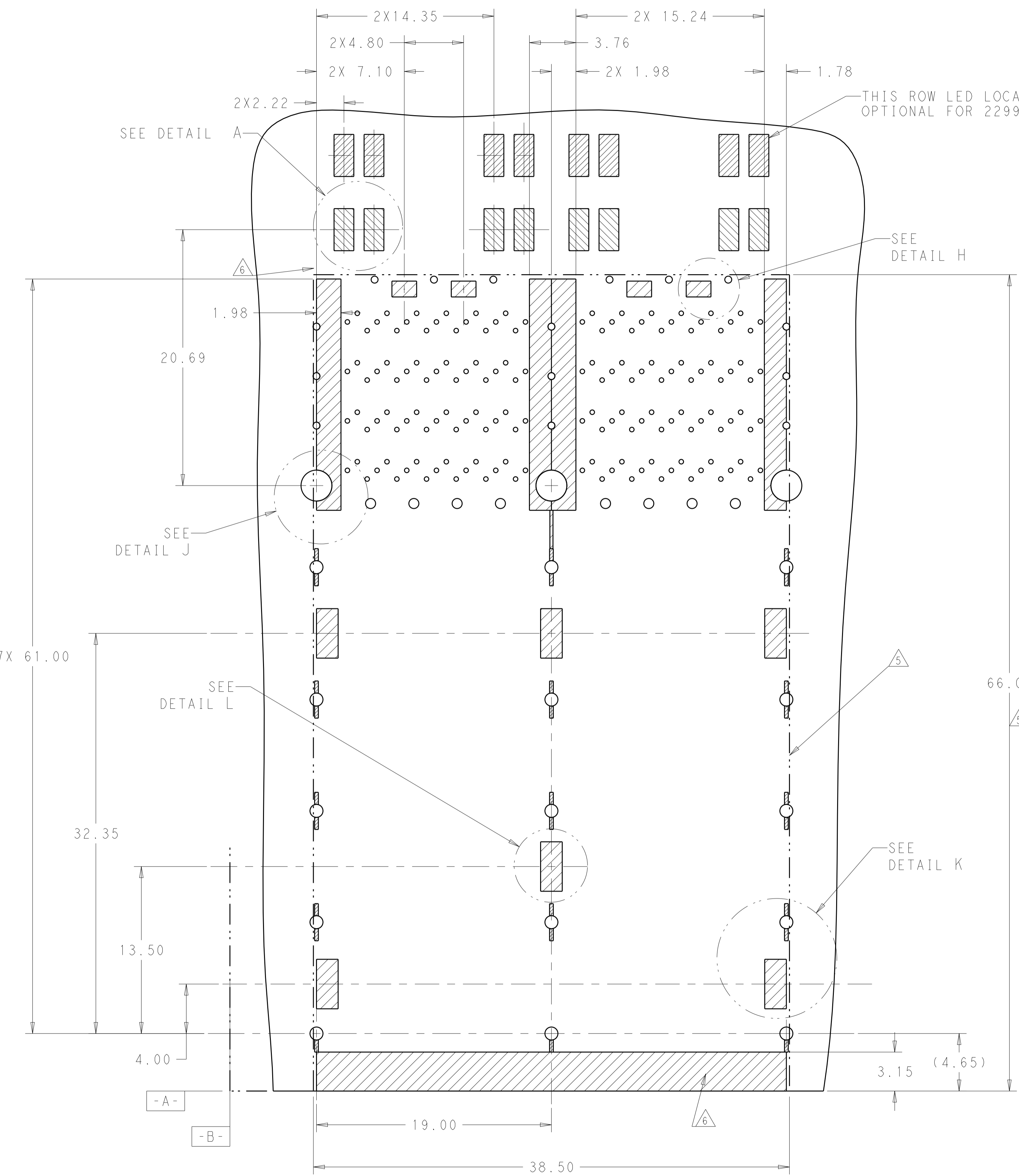


DETAIL G
SCALE 10:1

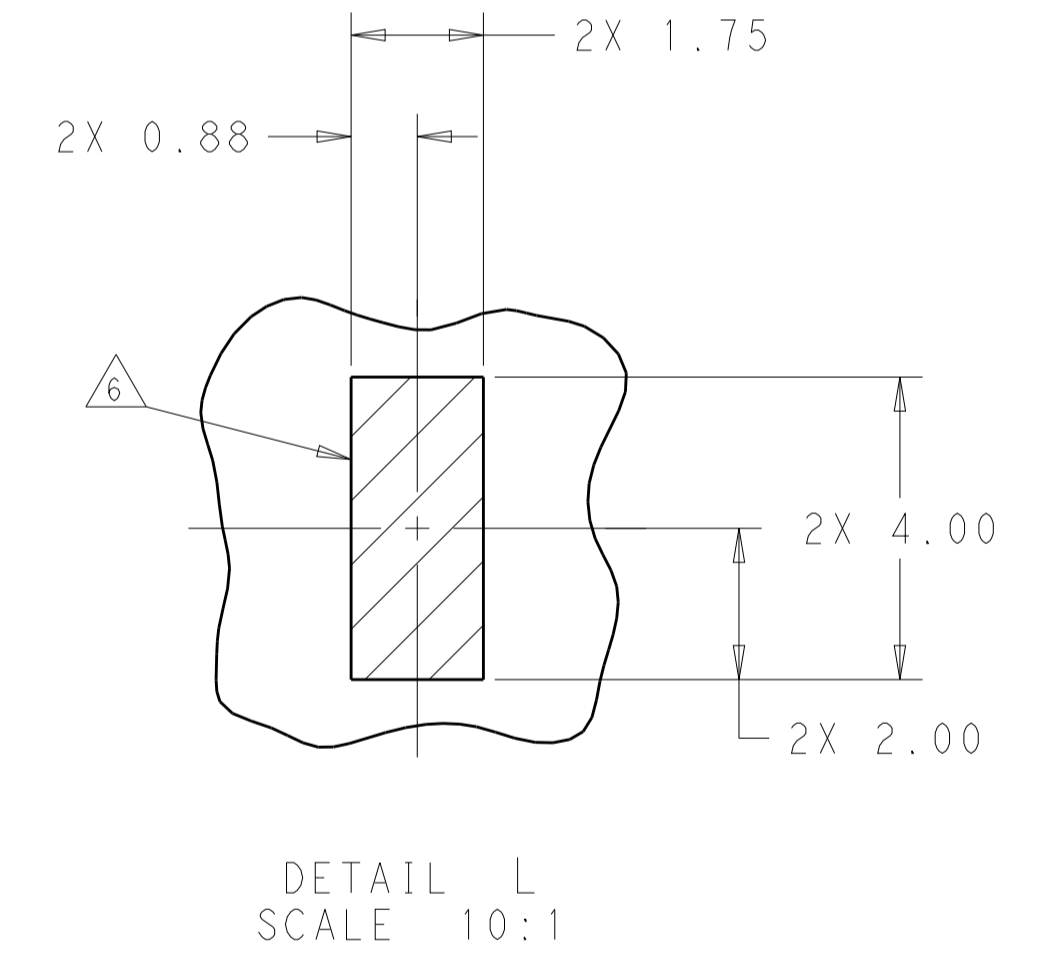
RECOMMENDED PC BOARD LAYOUT
 COMPONENT SIDE OF BOARD
 (PCB TOLERANCE ±0.05)
 SCALE 5:1

THIS DRAWING IS A CONTROLLED DOCUMENT.		OWN: TIM XUE 28JAN2016	TE Connectivity
DIMENSIONS: mm		CHK: SEAN HAN 28JAN2016	
TOLERANCES UNLESS OTHERWISE SPECIFIED:		APPD: SEAN HAN 28JAN2016	NAME: CAGE AND CONNECTOR ASSEMBLY WITH EMI SPRING FINGERS, THRU BEZEL, 2X2 ZQSFP+ STACKED WITH HS
0 PLC ±	1 PLC ±0.25	PRODUCT SPEC: 108-60102	SIZE: 114-60015
2 PLC ±0.15	3 PLC ±	APPLICATION SPEC: 114-60015	RESTRICTED TO: A100779C=2299870
4 PLC ±	ANGLES ±	WEIGHT: -	SCALE: 4:1 SHEET 10 OF 11 REV E
MATERIAL: SEE NOTE 1	FINISH: SEE NOTE 2	CUSTOMER DRAWING	

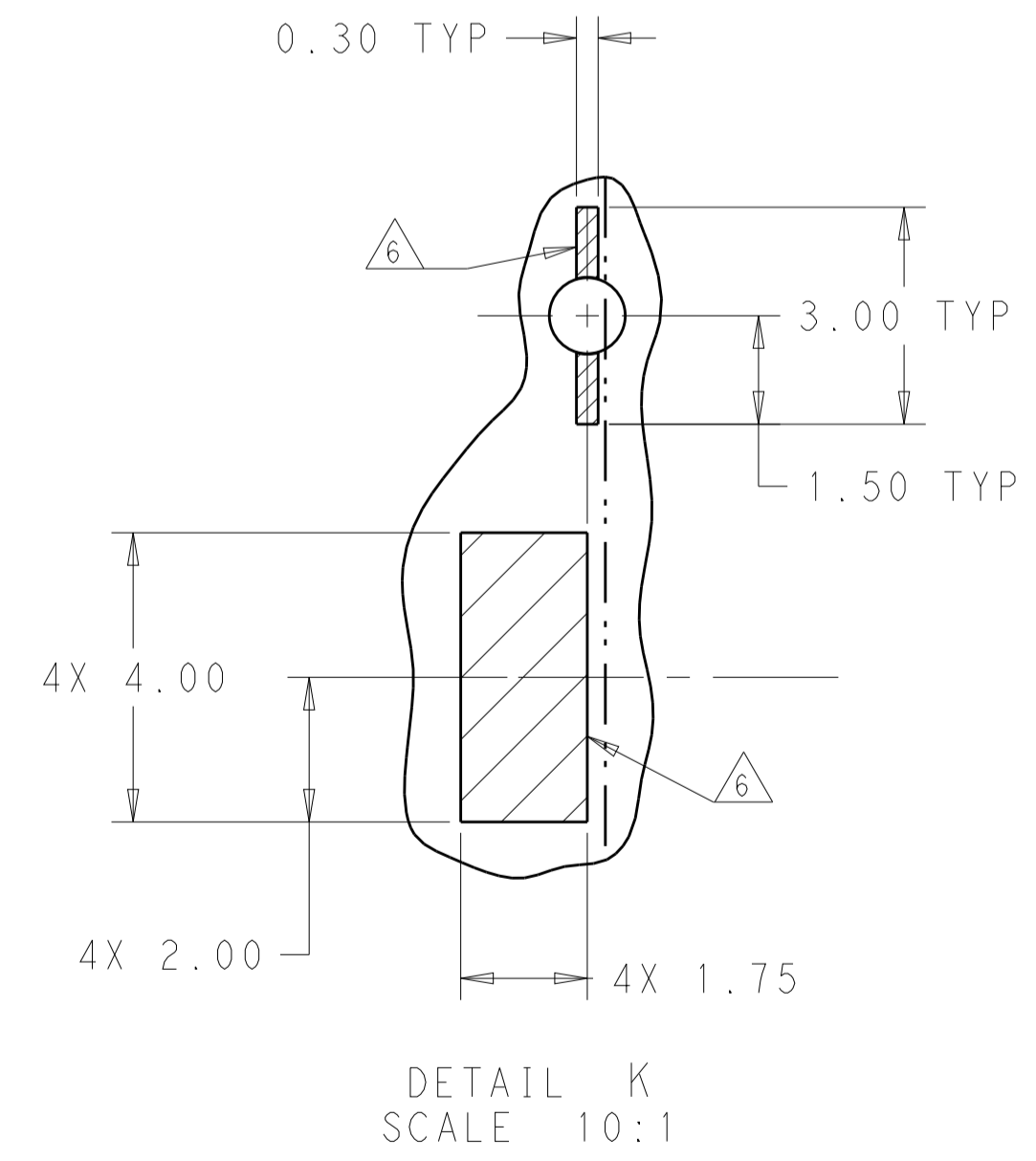
LOC	DIST	REV	DATE	BY	APPD
GP	00				



DETAIL J
LED PADS
SCALE 10:1



DETAIL L
SCALE 10:1



DETAIL K
SCALE 10:1

KEEPOUT AREAS
 COMPONENT SIDE OF BOARD
 (PCB TOLERANCE ±0.05)
 SCALE 5:1

THIS DRAWING IS A CONTROLLED DOCUMENT.		OWN: TIM XUE 28JAN2016	TE Connectivity
DIMENSIONS: mm		CHK: SEAN HAN 28JAN2016	
TOLERANCES UNLESS OTHERWISE SPECIFIED:		APPD: SEAN HAN 28JAN2016	NAME: CAGE AND CONNECTOR ASSEMBLY WITH EMI SPRING FINGERS, THRU BEZEL, 2X2 ZQSF+ STACKED WITH HS
0 PLC ±0.25	1 PLC ±0.15	PRODUCT SPEC: 108-60102	SIZE: 114-60015
2 PLC ±0.15	3 PLC ±0.15	APPLICATION SPEC: 114-60015	RESTRICTED TO: A100779C=2299870
4 PLC ±0.15	5 PLC ±0.15	WEIGHT: -	SCALE: 4:1
MATERIAL: SEE NOTE 1	FINISH: SEE NOTE 2	CUSTOMER DRAWING	SHEET 11 OF 11 REV E