

1-2208720-1 ✓ ACTIVE

MCON | MCON 1.2mm

TE Internal #: 1-2208720-1

105 Position Housing, Housing for Female Terminals, Wire-to-Board / Wire-to-Wire, 2.5 mm / 3.4 mm [.098 in / .133 in] Centerline, Sealable, MCON 1.2mm

[View on TE.com >](#)



Automotive Parts > Automotive Connectors > Automotive Housings



Connector & Housing Type: **Housing for Female Terminals**

Number of Positions: **105**

Sealable: **Yes**

Operating Temperature Range: **-40 – 130 °C [-40 – 266 °F]**

Number of Rows: **5**

Features

Product Type Features

Connector Shape	Rectangular
Mixed & Hybrid Connector	No
Connector & Housing Type	Housing for Female Terminals
Sealable	Yes
Primary Locking Feature	On the Terminal
Connector System	Wire-to-Board, Wire-to-Wire
Connector & Contact Terminates To	Wire & Cable

Configuration Features

Number of Positions	105
Number of Rows	5

Electrical Characteristics

Nominal Voltage Architecture	24 V
------------------------------	------

Body Features

Primary Product Color	Black
-----------------------	-------



Connector & Keying Code	1
-------------------------	---

Contact Features

Contact Size	1.2mm
Contact Type	Receptacle
Mating Tab Width	1.2 mm[.047 in]
Contact Current Rating (Max)	15 A

Mechanical Attachment

Mating Alignment Type	Keyed
Mating Alignment	With
Connector Mounting Type	Cable Mount (Free-Hanging)

Housing Features

Centerline (Pitch)	2.5 mm, 3.4 mm[.098 in][.133 in]
--------------------	----------------------------------

Usage Conditions

Operating Temperature Range	-40 – 130 °C[-40 – 266 °F]
Operating Temperature (Max)	130 °C[266 °F]

Operation/Application

Circuit Application	Power
---------------------	-------

Industry Standards

IP Rating	IPX9K
-----------	-------

Other

Connector Position Assurance Capable	No
--------------------------------------	----

Product Compliance

[For compliance documentation, visit the product page on TE.com>](#)

EU RoHS Directive 2011/65/EU	Compliant
EU ELV Directive 2000/53/EC	Compliant
China RoHS 2 Directive MIIT Order No 32, 2016	No Restricted Materials Above Threshold
EU REACH Regulation (EC) No. 1907/2006	Current ECHA Candidate List: JAN 2025 (247) Candidate List Declared Against: JAN 2025 (247) SVHC > Threshold: Dodecamethylcyclhexasiloxane (D6) (.5% in M-12633-1)



Decamethylcyclopentasiloxane (D5) (.5% in M-12633-1)

Octamethylcyclotetrasiloxane (D4) (.5% in 26236429200)

Article Safe Usage Statements:

Wash thoroughly after handling. Recycle if possible and dispose of the article by following all applicable governmental regulations relevant to your geographic location.

Halogen Content	Low Halogen - Br, Cl, F, I < 900 ppm per homogenous material. Also BFR/CFR/PVC Free
-----------------	---

Solder Process Capability	Not reviewed for solder process capability
---------------------------	--

Product Compliance Disclaimer

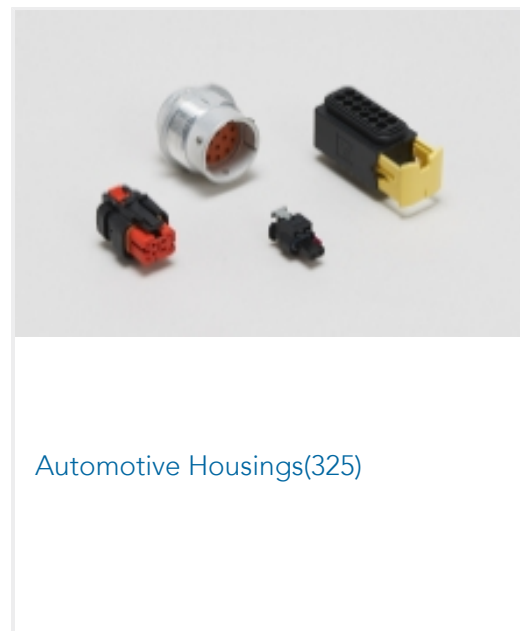
This information is provided based on reasonable inquiry of our suppliers and represents our current actual knowledge based on the information they provided. This information is subject to change. The part numbers that TE has identified as EU RoHS compliant have a maximum concentration of 0.1% by weight in homogenous materials for lead, hexavalent chromium, mercury, PBB, PBDE, DBP, BBP, DEHP, DIBP, and 0.01% for cadmium, or qualify for an exemption to these limits as defined in the Annexes of Directive 2011/65/EU (RoHS2). Finished electrical and electronic equipment products will be CE marked as required by Directive 2011/65/EU. Components may not be CE marked. Additionally, the part numbers that TE has identified as EU ELV compliant have a maximum concentration of 0.1% by weight in homogenous materials for lead, hexavalent chromium, and mercury, and 0.01% for cadmium, or qualify for an exemption to these limits as defined in the Annexes of Directive 2000/53/EC (ELV). Regarding the REACH Regulation, the information TE provides on SVHC in articles for this part number is based on the latest European Chemicals Agency (ECHA) 'Guidance on requirements for substances in articles' posted at this URL: <https://echa.europa.eu/guidance-documents/guidance-on-reach>

Compatible Parts

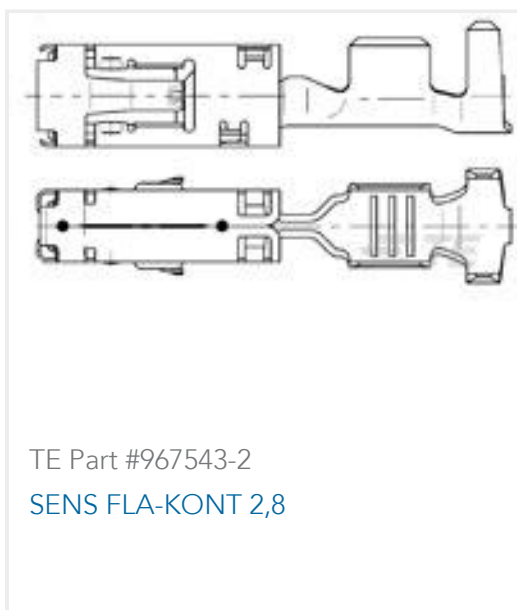
 <p>TE Part # CAT-M4595-T273 MCON Receptacle and Tab</p>	 <p>TE Part # 2208730-1 COVER,OUTGOING ANGULAR,ASSY</p>	 <p>TE Part # 9-2208738-9 PLATE,FAMILY SEAL COVER,105POS</p>	 <p>TE Part # 2208732-1 COVER,OUTGOING 90DEG,ASSY</p>
 <p>TE Part # 2208714-1 2. LOCK,MCON1,2 CB</p>	 <p>TE Part # 2208728-1 COVER,OUTGOING DIRECT,ASSY</p>	 <p>TE Part # 2286476-1 BLIND PLUG,MCON 1.2 CB</p>	 <p>TE Part # 2208731-1 COVER,OUTGOING 90DEG,ASSY</p>



Also in the Series | **MCON 1.2mm**



Customers Also Bought





Documents

Product Drawings

105POS, MCON 1.2 CB, REC HSG, ASSY, SLD

English

CAD Files

3D PDF

3D

Customer View Model

[ENG_CVM_CVM_1-2208720-1_B.2d_dxf.zip](#)

English

Customer View Model

[ENG_CVM_CVM_1-2208720-1_B.3d_igs.zip](#)

English

Customer View Model

[ENG_CVM_CVM_1-2208720-1_B.3d_stp.zip](#)

English

By downloading the CAD file I accept and agree to the [Terms and Conditions](#) of use.

Product Specifications

Application Specification

English