

1-1719386-1 ✓ ACTIVE

[AMP MCP](#) | [AMP MCP 9.5](#)

TE Internal #: 1-1719386-1

Receptacle Terminal, 12 – 9 AWG, 3 – 6 mm² Wire, 9.5 mm [.374 in]

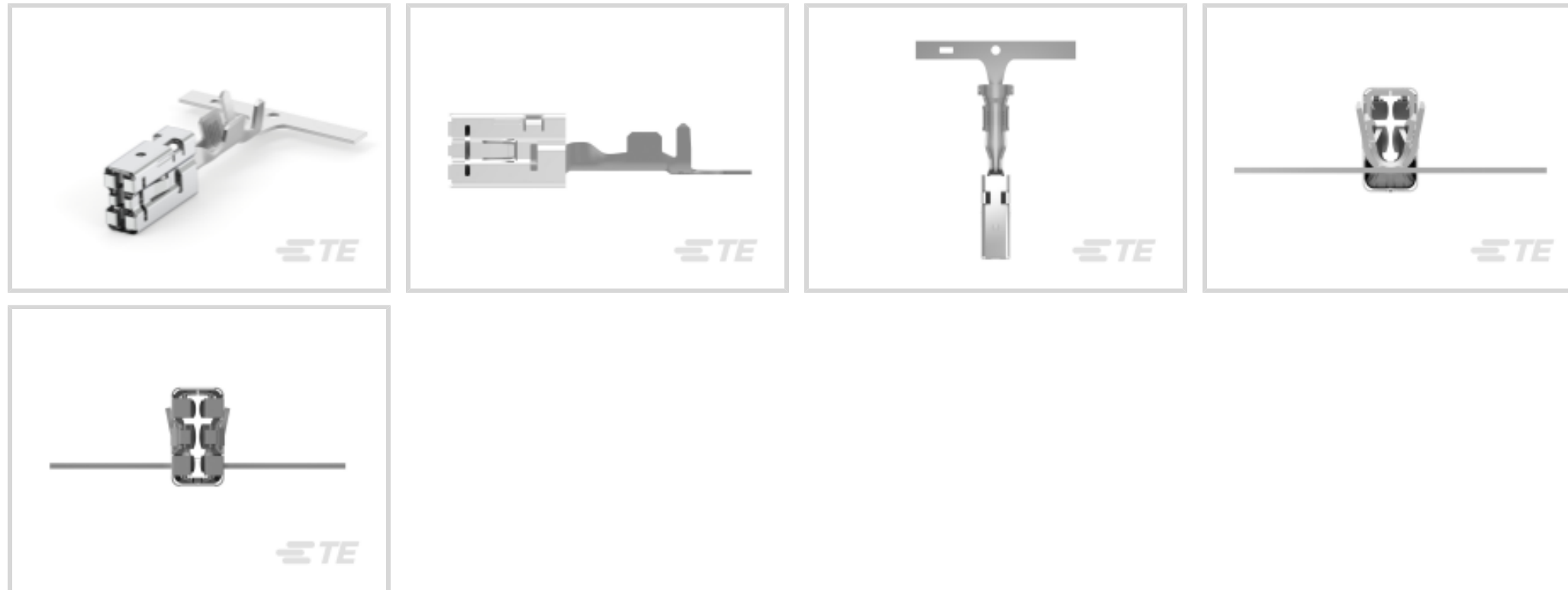
Tab Width, Tin (Sn), .8 mm [.031 in] Tab Thickness, Terminates To

Wire, AMP MCP 9.5

[View on TE.com >](#)



Automotive Parts > Automotive Terminals > AMP MCP, RECEPTACLE AND TAB



Terminal Type: **Receptacle**

Wire Size: **12 – 9 AWG**

Mating Tab Width: **9.5 mm [.374 in]**

Interface Plating: **Tin (Sn)**

[All AMP MCP, RECEPTACLE AND TAB \(105\)](#)

Features

Product Type Features

Receptacle Style	180°
Primary Locking Feature	Locking Lance
Sealable	No

Contact Features

Typical Current Rating	65 A
Crimp Type	F-Crimp
Contact Size	9.5mm
Contact Fabrication	Stamped & Formed
Wire Contact Termination Area Plating Material	Tin
Terminal Type	Receptacle
Mating Tab Width	9.5 mm[.374 in]
Interface Plating	Tin (Sn)
Mating Tab Thickness	.8 mm[.031 in]



Termination Features

Termination Method to Wire & Cable	Crimp
Product Terminates To	Wire

Dimensions

Compatible Insulation Diameter Range	4 – 5.2 mm [.156 – .203 in]
Wire Size	12 – 9 AWG
Wire Size Search	3 mm ² , 4 mm ² , 5 mm ² , 6 mm ²

Usage Conditions

Insulation Option	Uninsulated
Operating Temperature (Max)	125 °C [212 °F]
Operating Temperature Range	-40 – 130 °C [-40 – 266 °F]

Operation/Application

Compatible With Wire Base Material	Copper
------------------------------------	--------

Industry Standards

Compatible With Agency/Standards Products	LV214
---	-------

Packaging Features

Packaging Method	Reel
Packaging Quantity	600

Other

Terminal Transmits	41 – 100 A (High Power)
--------------------	-------------------------

Product Compliance

For compliance documentation, visit the product page on [TE.com](https://www.te.com)>

EU RoHS Directive 2011/65/EU	Compliant
EU ELV Directive 2000/53/EC	Compliant
China RoHS 2 Directive MIIT Order No 32, 2016	No Restricted Materials Above Threshold
EU REACH Regulation (EC) No. 1907/2006	Current ECHA Candidate List: JAN 2025 (247) Candidate List Declared Against: JAN 2025 (247) Does not contain REACH SVHC
Halogen Content	Low Halogen - Br, Cl, F, I < 900 ppm per homogenous material. Also BFR/CFR/PVC Free

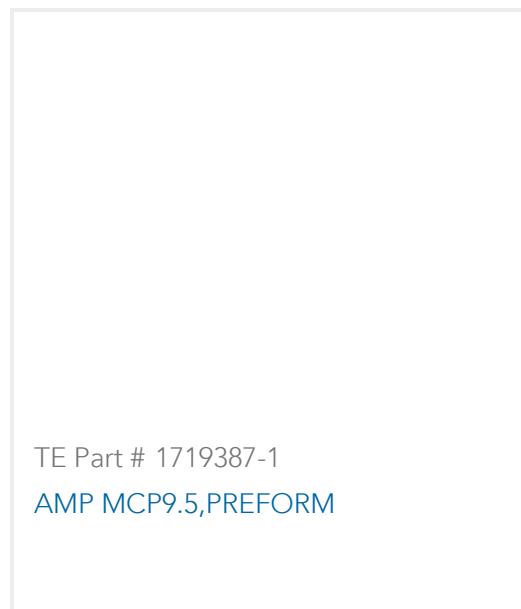
Solder Process Capability

Not applicable for solder process capability

Product Compliance Disclaimer

This information is provided based on reasonable inquiry of our suppliers and represents our current actual knowledge based on the information they provided. This information is subject to change. The part numbers that TE has identified as EU RoHS compliant have a maximum concentration of 0.1% by weight in homogenous materials for lead, hexavalent chromium, mercury, PBB, PBDE, DBP, BBP, DEHP, DIBP, and 0.01% for cadmium, or qualify for an exemption to these limits as defined in the Annexes of Directive 2011/65/EU (RoHS2). Finished electrical and electronic equipment products will be CE marked as required by Directive 2011/65/EU. Components may not be CE marked. Additionally, the part numbers that TE has identified as EU ELV compliant have a maximum concentration of 0.1% by weight in homogenous materials for lead, hexavalent chromium, and mercury, and 0.01% for cadmium, or qualify for an exemption to these limits as defined in the Annexes of Directive 2000/53/EC (ELV). Regarding the REACH Regulation, the information TE provides on SVHC in articles for this part number is based on the latest European Chemicals Agency (ECHA) 'Guidance on requirements for substances in articles' posted at this URL: <https://echa.europa.eu/guidance-documents/guidance-on-reach>

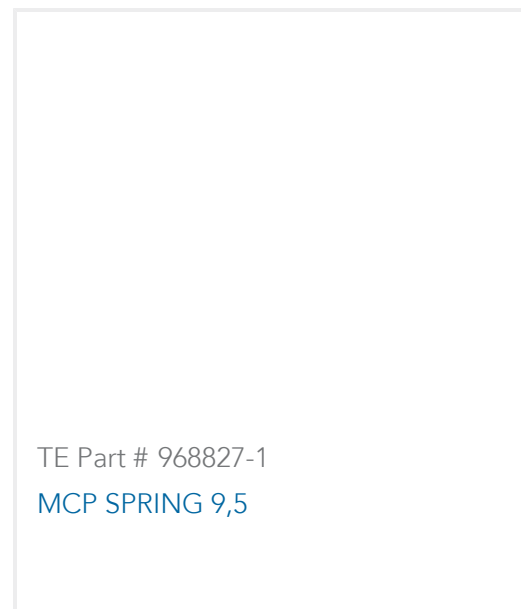
Compatible Parts



TE Part # 1719387-1
AMP MCP9.5,PREFORM



TE Part # 4151169-2
OCEAN-2.0-APPLICATOR-S-180F250F-SSA



TE Part # 968827-1
MCP SPRING 9,5



TE Part # 7-4151169-7
OCEAN_2.0_SPARE_PART_KIT-180F250F

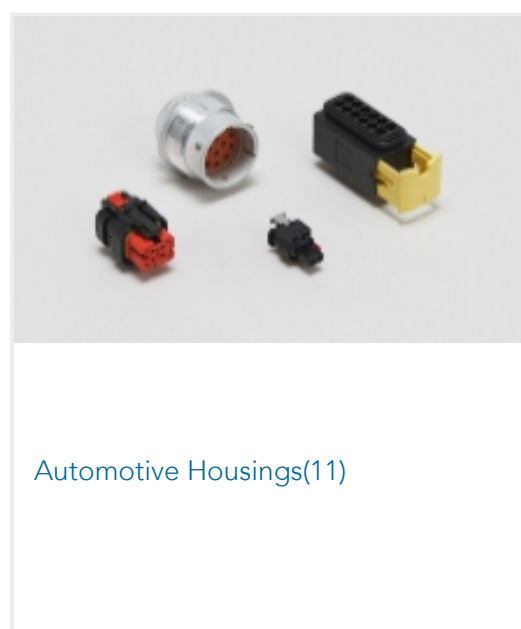


TE Part # CAT-AM705-CH8173
AMP Unsealed Connector Housing

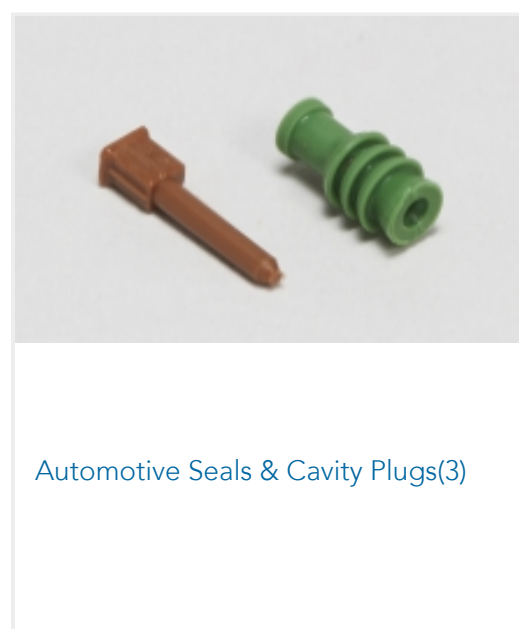


TE Part # 2177213-1
TAB 9.5x0.8 CONTACT CS SRC Sn

Also in the Series | AMP MCP 9.5



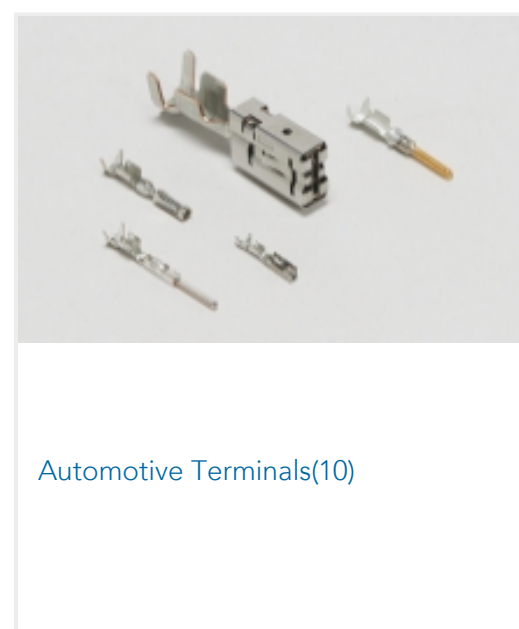
Automotive Housings(11)



Automotive Seals & Cavity Plugs(3)



Automotive Signal & Power Connector Housings(3)

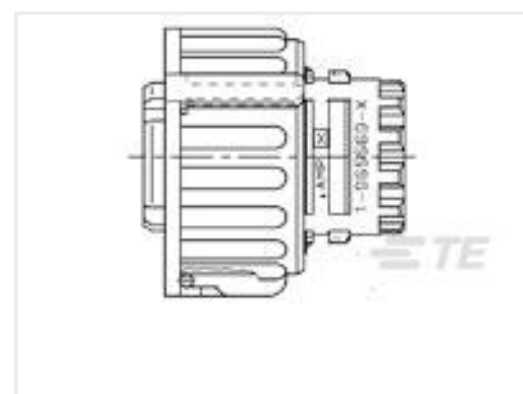


Automotive Terminals(10)

Customers Also Bought



TE Part #493576-1
HSG 6P MICRO TIMER



TE Part #1-1813099-3
2.5mm SOCKET HSG ASSEMBLY
(BLACK 2POS)



TE Part #1813344-1
7p 1.5mm socket housing assy' coding
A



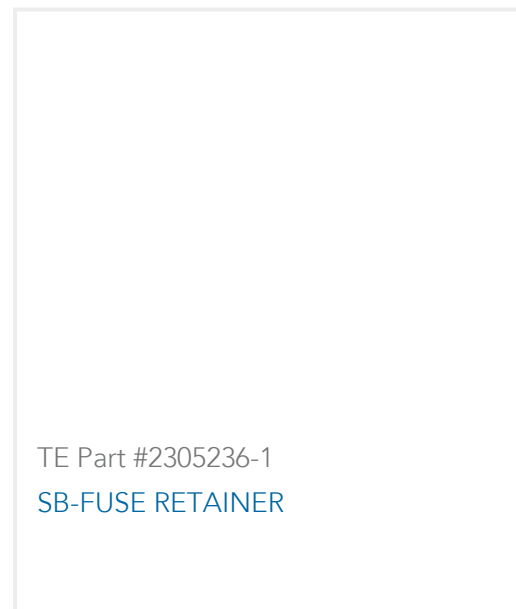
TE Part #2050992-1
SEALED JPT HOUSING ASSEMBLY,
10P



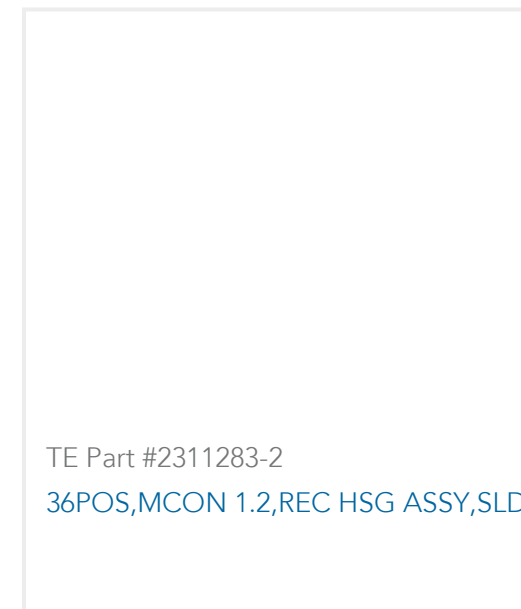
TE Part #1813018-6
MINI FUSE RECEPTACLE



TE Part #2295763-1
MICRORELAY HOLDER ASSEMBLY



TE Part #2305236-1
SB-FUSE RETAINER



TE Part #2311283-2
36POS, MCON 1.2, REC HSG ASSY, SLD



TE Part #2438861-1
DIA 2.5MM, TERMINAL



TE Part #2295766-1
MINIFUSE HOLDER ASSEMBLY

Documents

Product Drawings

[AMP MCP 9.5, CONTACT](#)

English

CAD Files

Customer View Model

[ENG_CVM_CVM_1-1719386-1_B.2d_dxf.zip](#)

English

3D PDF

3D

Customer View Model

[ENG_CVM_CVM_1-1719386-1_B.3d_igs.zip](#)

English

Customer View Model

[ENG_CVM_CVM_1-1719386-1_B.3d_stp.zip](#)

English

By downloading the CAD file I accept and agree to the [Terms and Conditions](#) of use.

Product Specifications



[Application Specification](#)

German

[Application Specification](#)

German

[Application Specification](#)

English