

14P. RIBBCBL 28AWG P1.27 ✓ ACTIVE

MADISON CABLE

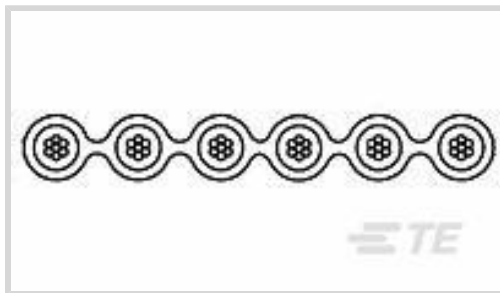
TE Part # 1-167019-4

TE Internal #: 1-167019-4

[View on TE.com >](#)



Wire & Cable > Ribbon & Flat Cable



Number of Conductors: **14**

Shielded: **No**

Insulation Material: **PVC**

Operating Temperature Range: **-20 – 105 °C**

Length: **650 m [2132.54 ft]**

Features

Product Type Features

Product Category	Ribbon Cable
Wire/Cable Type	Ribbon Cable
Product Classification	Cable - Flat Ribbon
Product Type	Cable
Shielded	No

Configuration Features

Number of Conductors	14
Number of Strands	7

Electrical Characteristics

Current Rating	2 A
	60 pF/ft
Voltage Rating	300 V

Body Features

Jacket Color	Gray
Jacket Material	PVC
Insulation Material	PVC
Conductor Insulation Color	Gray
Conductor Material	Tin-Plated Copper

Housing Features



Centerline	1.27 mm[.05 in]
------------	-----------------

Dimensions

Cable Insulation Width	17.44 mm[.687 in]
------------------------	-------------------

Cable Insulation Height	.93 mm[.037 in]
-------------------------	-----------------

Length	650 m[2132.54 ft]
--------	-------------------

Wire Size	.089 mm ²
-----------	----------------------

Strand Size	36 AWG
-------------	--------

Usage Conditions

Operating Temperature Range	-20 – 105 °C
-----------------------------	--------------

Industry Standards

Agency/Standard	UL/CSA
-----------------	--------

UL Listing	AWM Style 2651
------------	----------------

Packaging Features

Packaging Method	Reel
------------------	------

Product Compliance

[For compliance documentation, visit the product page on TE.com>](#)

EU RoHS Directive 2011/65/EU	Compliant
------------------------------	-----------

EU ELV Directive 2000/53/EC	Compliant
-----------------------------	-----------

China RoHS 2 Directive MIIT Order No 32, 2016	No Restricted Materials Above Threshold
---	---

EU REACH Regulation (EC) No. 1907/2006	Current ECHA Candidate List: JAN 2019 (197) Candidate List Declared Against: JAN 2018 (181)
--	--

Halogen Content	Not Low Halogen - contains Br or Cl > 900 ppm.
-----------------	--

Solder Process Capability	Not applicable for solder process capability
---------------------------	--

Product Compliance Disclaimer

This information is provided based on reasonable inquiry of our suppliers and represents our current actual knowledge based on the information they provided. This information is subject to change. The part numbers that TE has identified as EU RoHS compliant have a maximum concentration of 0.1% by weight in homogenous materials for lead, hexavalent chromium, mercury, PBB, PBDE, DBP, BBP, DEHP, DIBP, and 0.01% for cadmium, or qualify for an exemption to these limits as defined in the Annexes of Directive 2011/65/EU (RoHS2). Finished electrical and electronic equipment products will be CE marked as required by Directive 2011/65/EU. Components may not be CE marked. Additionally, the part numbers that TE has identified as EU ELV compliant have a maximum concentration of 0.1% by weight in homogenous materials for lead, hexavalent chromium, and mercury, and 0.01% for cadmium, or qualify for an exemption to these limits as defined in the Annexes of Directive 2000/53/EC (ELV). Regarding the REACH Regulations, TE's information on SVHC in articles for this part number is still based on the European Chemical Agency (ECHA) 'Guidance on requirements for substances in articles' (Version: 2, April 2011), applying the 0.1% weight on weight concentration threshold at the finished

product level. TE is aware of the European Court of Justice ruling of September 10th, 2015 also known as O5A (Once An Article Always An Article) stating that, in case of 'complex object', the threshold for a SVHC must be applied to both the product as a whole and simultaneously to each of the articles forming part of its composition. TE has evaluated this ruling based on the new ECHA "Guidance on requirements for substances in articles" (June 2017, version 4.0) and will be updating its statements accordingly.

Compatible Parts



TE Part # 1-215083-4
MICRO-MATCH MOW.14P



TE Part # 1-2178713-4
14P, PBC, MICRO-MATCH
VALUE LINE



TE Part # 8-215570-4
MICRO-MATCH PBC.14P



TE Part # 1-2178712-4
14P, MOW, MICRO-
MATCH VALUE LINE

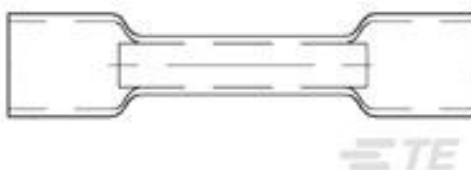


TE Part # 8-215083-4
MICRO-MATCH MOW.14P




TE Part # 1-215570-4
MICRO-MATCH PBC.14P

Customers Also Bought



TE Part #603503-3
PRE-INSUL SEALED
SPLICE 16-14



TE Part #603504-3
12-10 PRE-INSUL SEALED
SPLICE



TE Part #150545-1
.110 MINI FASTON



TE Part #282178-1
FF 250 REC 0.3-0.8MM2 BR



TE Part #4-1333217-1
ANVIL EF .090



TE Part #7-2151376-7
OCEAN_2_0_SPARE_PART_KIT-
080F1200



TE Part #7-2151424-7
OCEAN_2_0_SPARE_PART_KIT-
080F1000

Documents

[Product Drawings](#)
[14P. RIBBCBL 28AWG P1.27](#)



English

[Product Environmental Compliance](#)

[TE Material Declaration](#)

English