

1-1644055-3 ✓ ACTIVE

Universal MATE-N-LOK

TE Internal #: 1-1644055-3

6 Position, Plug, Housing, Crimp, Wire-to-Wire, UL 94V-0, 6.35 mm [.25 in] Centerline, 2 Row, 600 VAC, Wire & Cable, Power, Universal MATE-N-LOK

[View on TE.com >](#)



Connectors > Rectangular Connectors > Standard Rectangular Connectors



Connector Product Type: **Housing**

Connector & Housing Type: **Plug**

Mating Alignment: **With**

Mating Alignment Type: **Polarization**

Termination Method to Wire & Cable: **Crimp**

Features

Product Type Features

Connector Product Type	Housing
Connector & Housing Type	Plug
Connector System	Wire-to-Wire
Sealable	No
Connector & Contact Terminates To	Wire & Cable

Configuration Features

Number of Positions	6
Number of Rows	2

Electrical Characteristics

Operating Voltage	600 VAC
-------------------	---------

Body Features

Primary Product Color	Natural
-----------------------	---------

Contact Features

--	--



Contact Retention Within Housing	Without
----------------------------------	---------

Contact Type	Socket
--------------	--------

Termination Features

Termination Method to Wire & Cable	Crimp
------------------------------------	-------

Mechanical Attachment

Mating Alignment	With
------------------	------

Mating Alignment Type	Polarization
-----------------------	--------------

Connector Mounting Type	Cable Mount (Free-Hanging)
-------------------------	----------------------------

Housing Features

Centerline (Pitch)	6.35 mm [.25 in]
--------------------	------------------

Housing Material	PA 66
------------------	-------

Dimensions

Connector Width	20.32 mm [1.079 in]
-----------------	---------------------

Connector Height	13.97 mm [.55 in]
------------------	-------------------

Connector Length	27.43 mm [.8 in]
------------------	------------------

Row-to-Row Spacing	6.35 mm [.25 in]
--------------------	------------------

Usage Conditions

Operating Temperature Range	-55 – 105 °C [-67 – 221 °F]
-----------------------------	-----------------------------

Operation/Application

Circuit Application	Power
---------------------	-------

Industry Standards

Compatible With Agency/Standards Products	CSA, VDE
---	----------

UL Rating	Recognized
-----------	------------

Compatible With Approved Standards Products	UL E28476
---	-----------

CSA Rating	LR 7189
------------	---------

UL Flammability Rating	UL 94V-0
------------------------	----------

Glow Wire Rating	GWT 750°C (Without Flame)
------------------	---------------------------

Packaging Features

Packaging Method	Bag
------------------	-----

Product Compliance

[For compliance documentation, visit the product page on TE.com>](#)



EU RoHS Directive 2011/65/EU	Compliant
EU ELV Directive 2000/53/EC	Compliant
China RoHS 2 Directive MIIT Order No 32, 2016	No Restricted Materials Above Threshold
EU REACH Regulation (EC) No. 1907/2006	Current ECHA Candidate List: JAN 2025 (247) Candidate List Declared Against: JAN 2025 (247) Does not contain REACH SVHC
Halogen Content	Not Low Halogen - contains Br or Cl > 900 ppm.
Solder Process Capability	Not reviewed for solder process capability

Product Compliance Disclaimer

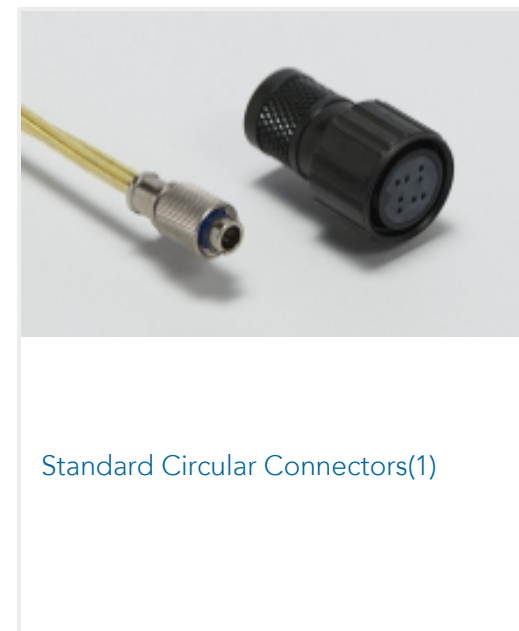
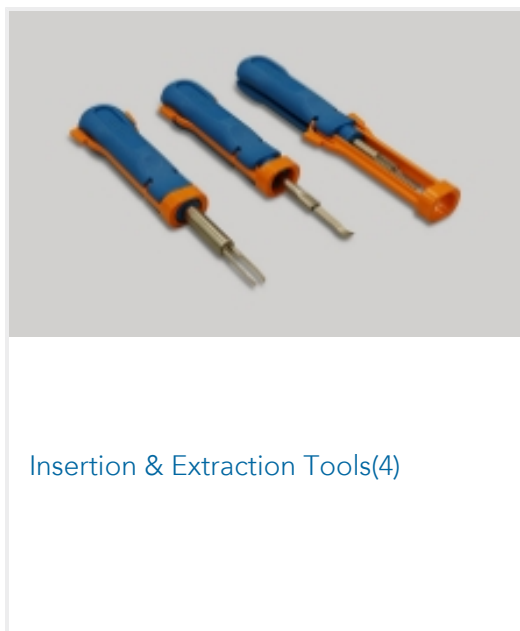
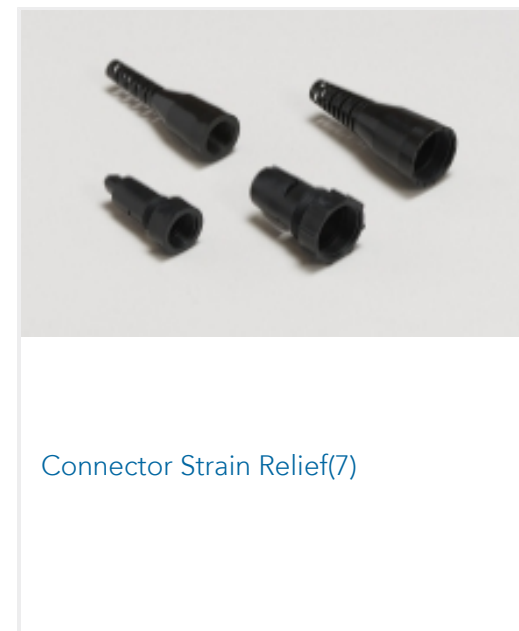
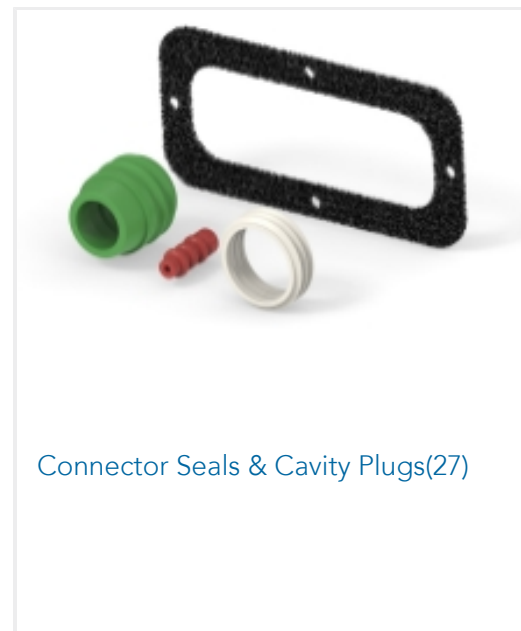
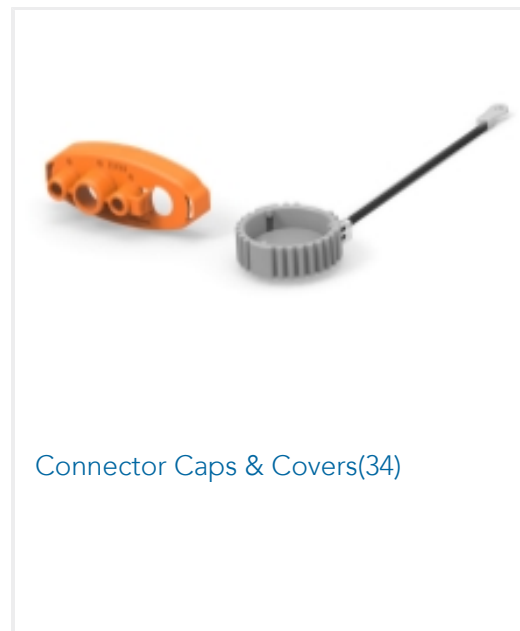
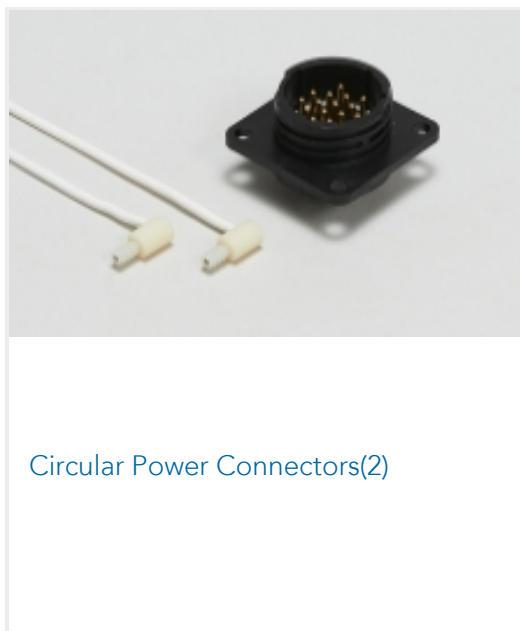
This information is provided based on reasonable inquiry of our suppliers and represents our current actual knowledge based on the information they provided. This information is subject to change. The part numbers that TE has identified as EU RoHS compliant have a maximum concentration of 0.1% by weight in homogenous materials for lead, hexavalent chromium, mercury, PBB, PBDE, DBP, BBP, DEHP, DIBP, and 0.01% for cadmium, or qualify for an exemption to these limits as defined in the Annexes of Directive 2011/65/EU (RoHS2). Finished electrical and electronic equipment products will be CE marked as required by Directive 2011/65/EU. Components may not be CE marked. Additionally, the part numbers that TE has identified as EU ELV compliant have a maximum concentration of 0.1% by weight in homogenous materials for lead, hexavalent chromium, and mercury, and 0.01% for cadmium, or qualify for an exemption to these limits as defined in the Annexes of Directive 2000/53/EC (ELV). Regarding the REACH Regulation, the information TE provides on SVHC in articles for this part number is based on the latest European Chemicals Agency (ECHA) 'Guidance on requirements for substances in articles' posted at this URL: <https://echa.europa.eu/guidance-documents/guidance-on-reach>

Compatible Parts

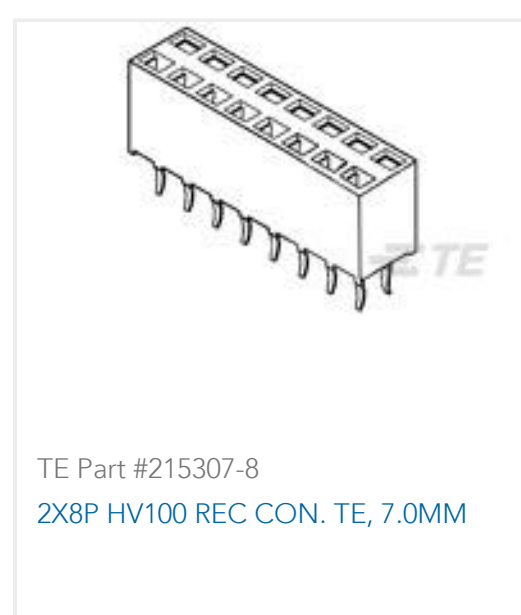
 <p>TE Part # 3-480704-0 06P UMNL PLUG HSG NATL</p>	 <p>TE Part # 1-480704-9 06P UMNL PLUG HSG BLK</p>	 <p>TE Part # 1969779-1 6POS UMNL W/ INTERFACE & WIRE SEAL</p>	 <p>TE Part # 1-480704-0 06P UMNL PLUG HSG NATL</p>
 <p>TE Part # 794096-1 06P UMNL PLUG</p>	 <p>TE Part # 794816-1 06P UMNL PLUG,VO</p>	 <p>TE Part # 1-1644055-2 UMNL 6 WAY PLUG HOUSING</p>	 <p>TE Part # 493462-1 UMNL 14 POSN PIN</p>

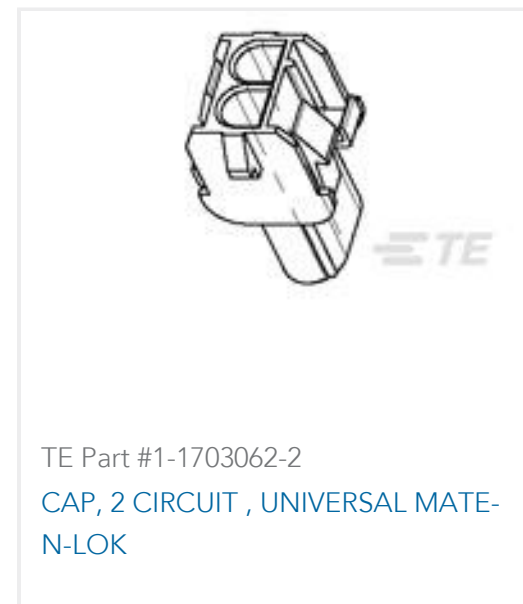
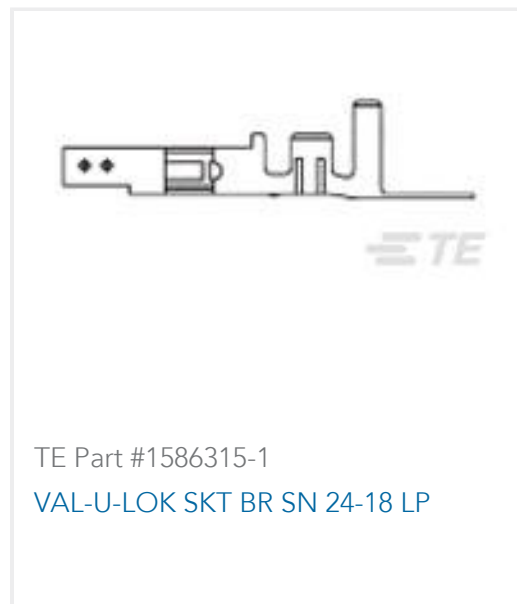


Also in the Series | **Universal MATE-N-LOK**



Customers Also Bought





Documents

Product Drawings

06P UMNL PLUG HSG GWEPT-V0 WINDOW LATCH

English

CAD Files

Customer View Model

[ENG_CVM_CVM_1-1644055-3_C1.3d_igs.zip](#)

English

Customer View Model

[ENG_CVM_CVM_1-1644055-3_C1.2d_dxf.zip](#)

English

Customer View Model

[ENG_CVM_CVM_1-1644055-3_C1.3d_stp.zip](#)

English

3D PDF

3D

By downloading the CAD file I accept and agree to the [Terms and Conditions](#) of use.

Product Specifications

Application Specification

English

Agency Approvals

UL

English