

1-1452842-3 ✓ ACTIVE



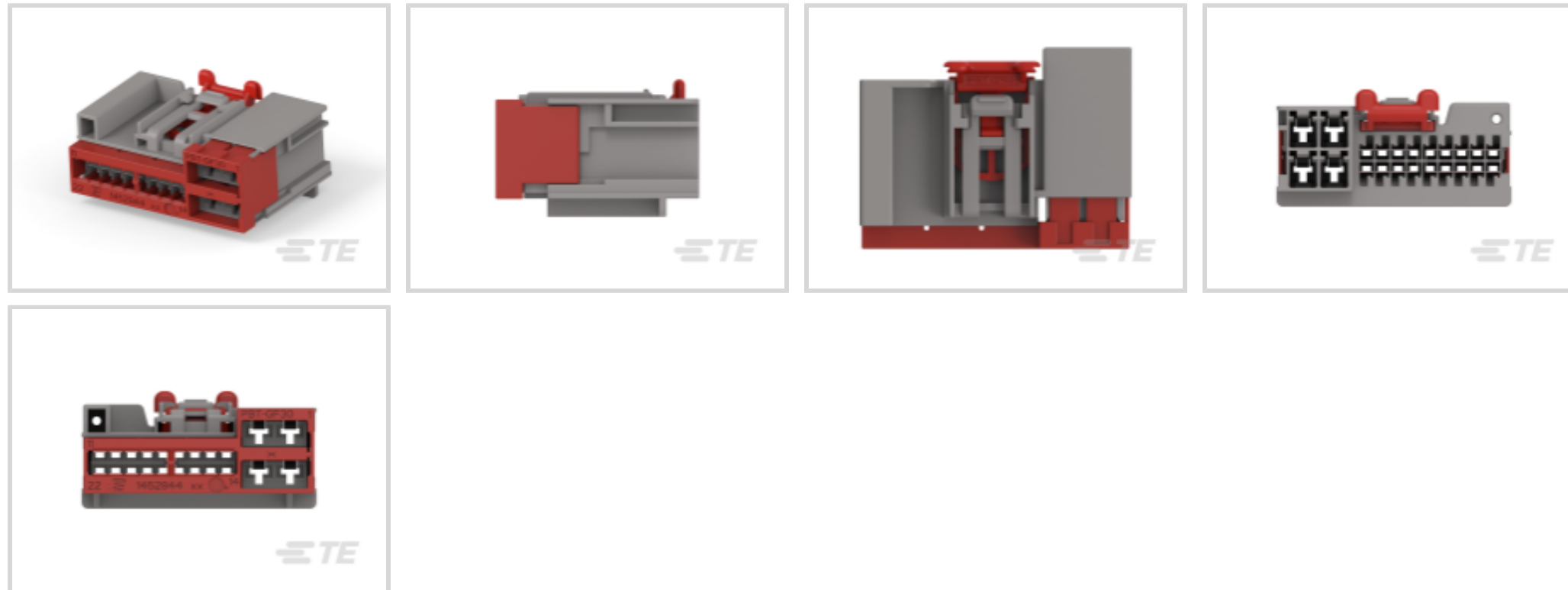
[Get .64 Connector System](#)

TE Internal #: 1-1452842-3

22 Position Housing, Housing for Female Terminals, Wire-to-Board / Wire-to-Wire, 2.54 mm / 5 mm [.1 in / .19 in] Centerline, Get .64 Connector System

[View on TE.com >](#)

Automotive Parts > Automotive Connectors > Automotive Housings



Connector & Housing Type: **Housing for Female Terminals**

Number of Positions: **22**

Sealable: **No**

Number of Rows: **3**

Connector Position Assurance Capable: **No**

Features

Product Type Features

Mixed & Hybrid Connector	Yes
Connector Shape	Rectangular
Connector & Housing Type	Housing for Female Terminals
Sealable	No
Primary Locking Feature	Integrated in Housing
Connector System	Wire-to-Board, Wire-to-Wire
Connector & Contact Terminates To	Wire & Cable

Configuration Features

Number of Positions	22
Number of Rows	3

Electrical Characteristics

Nominal Voltage Architecture	12 V
------------------------------	------

Body Features

Cable Exit Angle	180°
------------------	------



Primary Product Color	Gray
-----------------------	------

Connector & Keying Code	A
-------------------------	---

Contact Features

Contact Size	1.2mm, 2.8mm
--------------	--------------

Contact Type	Receptacle
--------------	------------

Mating Tab Width	1.2 mm, 2.8 mm [.047 in][.11 in]
------------------	----------------------------------

Mechanical Attachment

Strain Relief	Without
---------------	---------

Terminal Position Assurance	No
-----------------------------	----

Mating Alignment Type	Keyed
-----------------------	-------

Mating Alignment	With
------------------	------

Connector Mounting Type	Cable Mount (Free-Hanging)
-------------------------	----------------------------

Housing Features

Housing Material	PA 66 GF35
------------------	------------

Centerline (Pitch)	2.54 mm, 5 mm [.1 in][.19 in]
--------------------	-------------------------------

Dimensions

Row-to-Row Spacing	2.54 mm, 6.4 mm [.1 in][.25 in]
--------------------	---------------------------------

Product Width	24.7 mm [.97 in]
---------------	------------------

Product Length	37.7 mm [1.48 in]
----------------	-------------------

Connector Height	17.05 mm [.67 in]
------------------	-------------------

Operation/Application

Circuit Application	Power & Signal
---------------------	----------------

Packaging Features

Packaging Method	Box
------------------	-----

Other

Serviceable	No
-------------	----

Connector Position Assurance Capable	No
--------------------------------------	----

Product Compliance

[For compliance documentation, visit the product page on TE.com>](#)

EU RoHS Directive 2011/65/EU	Compliant
------------------------------	-----------

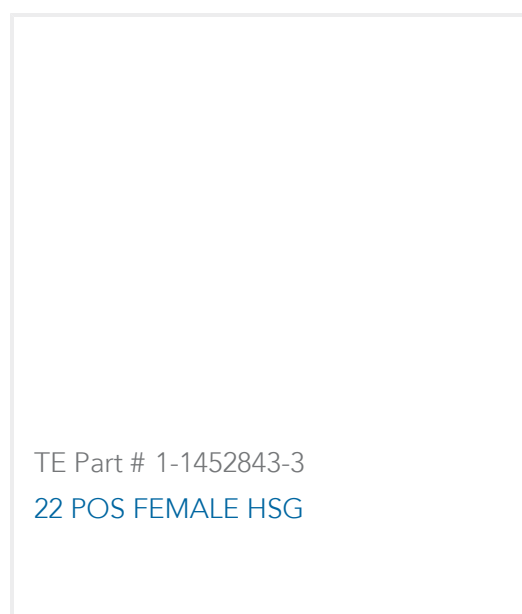


EU ELV Directive 2000/53/EC	Compliant
China RoHS 2 Directive MIIT Order No 32, 2016	No Restricted Materials Above Threshold
EU REACH Regulation (EC) No. 1907/2006	Current ECHA Candidate List: JAN 2025 (247) Candidate List Declared Against: JUNE 2023 (235) Does not contain REACH SVHC
Halogen Content	Low Halogen - Br, Cl, F, I < 900 ppm per homogenous material. Also BFR/CFR/PVC Free
Solder Process Capability	Not applicable for solder process capability

Product Compliance Disclaimer

This information is provided based on reasonable inquiry of our suppliers and represents our current actual knowledge based on the information they provided. This information is subject to change. The part numbers that TE has identified as EU RoHS compliant have a maximum concentration of 0.1% by weight in homogenous materials for lead, hexavalent chromium, mercury, PBB, PBDE, DBP, BBP, DEHP, DIBP, and 0.01% for cadmium, or qualify for an exemption to these limits as defined in the Annexes of Directive 2011/65/EU (RoHS2). Finished electrical and electronic equipment products will be CE marked as required by Directive 2011/65/EU. Components may not be CE marked. Additionally, the part numbers that TE has identified as EU ELV compliant have a maximum concentration of 0.1% by weight in homogenous materials for lead, hexavalent chromium, and mercury, and 0.01% for cadmium, or qualify for an exemption to these limits as defined in the Annexes of Directive 2000/53/EC (ELV). Regarding the REACH Regulation, the information TE provides on SVHC in articles for this part number is based on the latest European Chemicals Agency (ECHA) 'Guidance on requirements for substances in articles' posted at this URL: <https://echa.europa.eu/guidance-documents/guidance-on-reach>

Compatible Parts



Also in the Series | [Get .64 Connector System](#)



Automotive Headers(3)

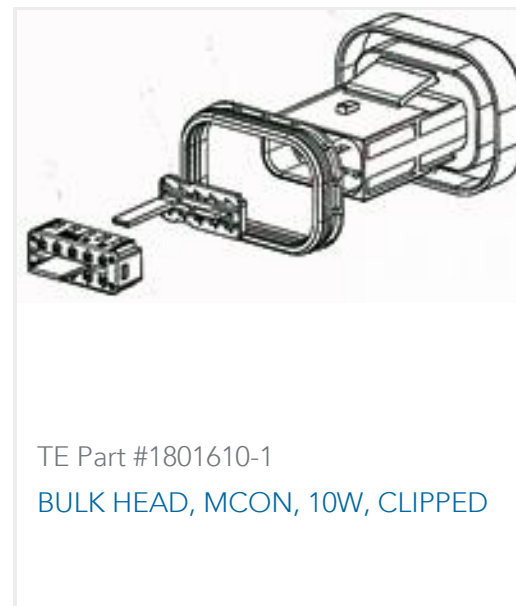
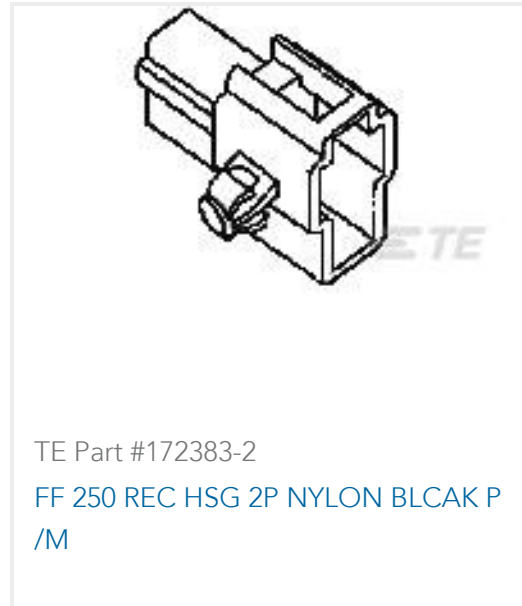


Automotive Housings(86)



Automotive Signal & Power Connector Housings(86)

Customers Also Bought



Documents

Product Drawings

22 POS FEMALE HSG ASSY

English

CAD Files

Customer View Model

[ENG_CVM_CVM_1-1452842-3_D.2d_dxf.zip](#)

English

3D PDF

3D

Customer View Model

[ENG_CVM_CVM_1-1452842-3_D.3d_igs.zip](#)

English

Customer View Model

[ENG_CVM_CVM_1-1452842-3_D.3d_stp.zip](#)

English

By downloading the CAD file I accept and agree to the [Terms and Conditions](#) of use.

Datasheets & Catalog Pages

[ENG_CS_1307992_1_GET_64_Interconnection_](#)

English

Instruction Sheets

[Instruction Sheet \(U.S.\)](#)

English

1-1452842-3

22 Position Housing, Housing for Female Terminals, Wire-to-Board / Wire-to-Wire,
2.54 mm / 5 mm [.1 in / .19 in] Centerline, Get .64 Connector System

