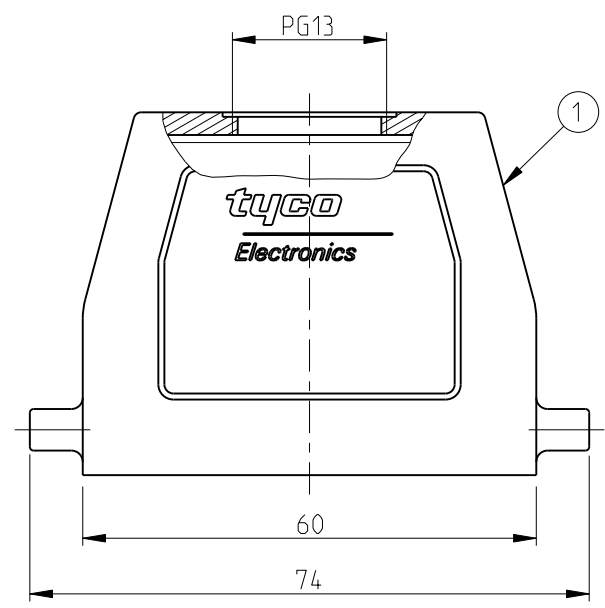


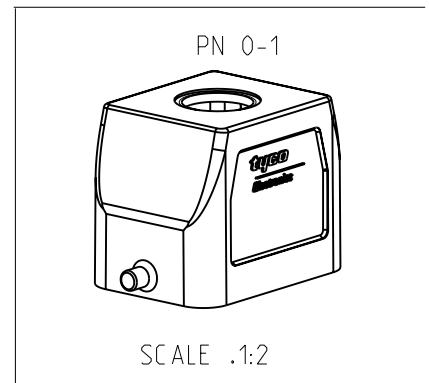
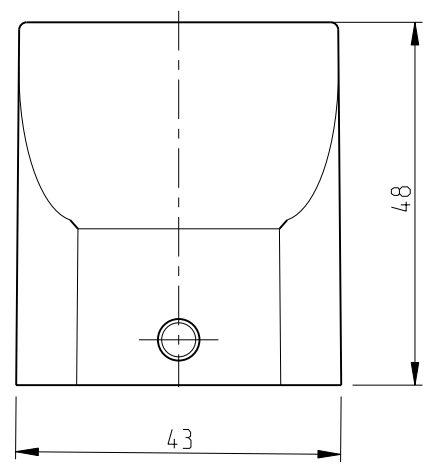
THIS DRAWING IS UNPUBLISHED. RELEASED FOR PUBLICATION 1998
 © COPYRIGHT 1998 BY TYCO ELECTRONICS CORPORATION. ALL RIGHTS RESERVED.

LOC	DIST	REVISIONS			
P	LTR	DESCRIPTION	DATE	DWN	APVD
A1					
	A2	Released as per ECR-07-030416	17.12.07	SP	TS

- NOTE
- 1 Material: Housing: Aluminium diecasting alloy
 - 2 Surface:- Powder Varnish-Grey
 - 3 Varnish on the inside not necessary
 - 4 Packaging
Packaging quantity: 5 pieces in a box



PN 0-1



ITEM NO	DESCRIPTION	MATERIAL	SURFACE	COLOR	ITEM NO	NOTES
1	Hood.HB6.Sto	Aluminium	-	Grey	1	-
0-1	ORDERING TEXT					
HB.6.STO.1.13.G						

<small>THIS DRAWING IS A CONTROLLED DOCUMENT FOR TYCO ELECTRONICS CORPORATION IT IS SUBJECT TO CHANGE AND THE CONTROLLING ENGINEERING ORGANIZATION SHOULD BE CONTACTED FOR THE LATEST REVISION.</small>		DWN	Schneider	28.02.01	Tyco Electronics.AMP.GmbH D-53819.Neunkirchen.Germany
DIMENSIONS: mm 		CHK	Schweiger	28.02.01	
TOLERANCES UNLESS OTHERWISE SPECIFIED: <small>n-ISO 8015 n-ISO 2768-mH-E n-QJN 16901-120</small>		APVD	NAME		
0 PLC ± 1 PLC ± 2 PLC ± 3 PLC ± 4 PLC ± ANGLES ±		PRODUCT SPEC		Hood HB.6.STO.1.13.G	
MATERIAL		APPLICATION SPEC		SIZE	RESTRICTED TO
FINISH		WEIGHT		A3	
		CUSTOMER DRAWING		CAGE CODE	DRAWING NO
				00779	©=1102064
		SCALE		SHEET	REV
		1:1		1 OF 1	A2