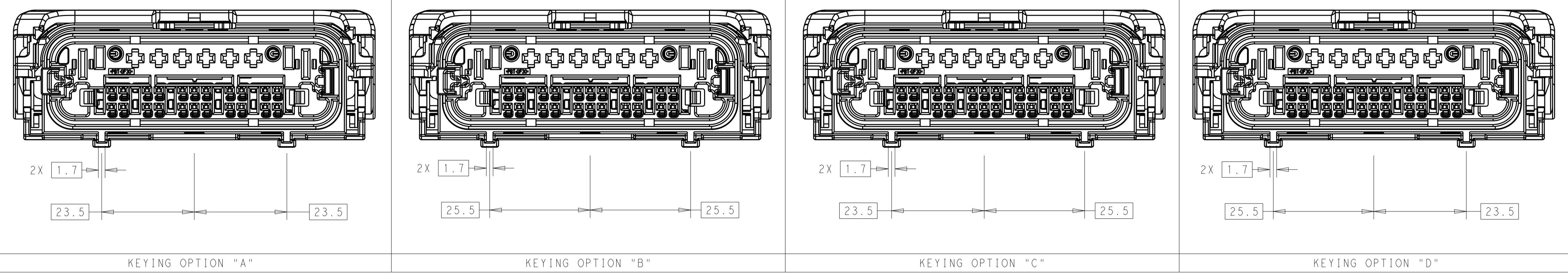
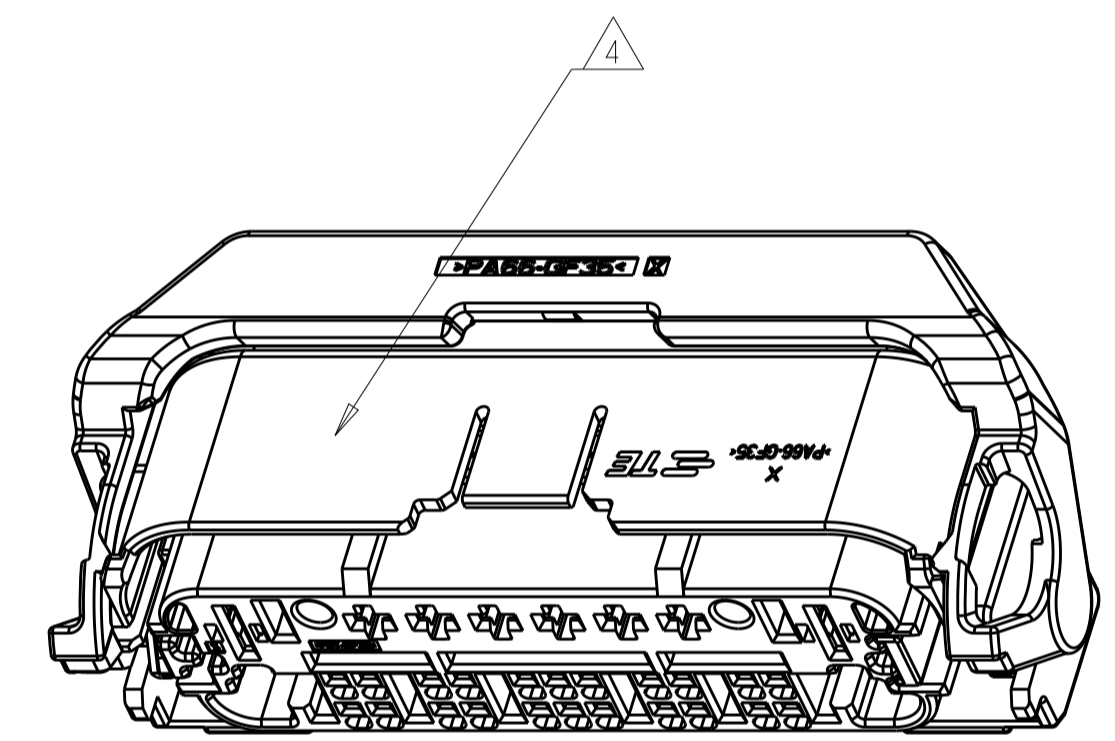
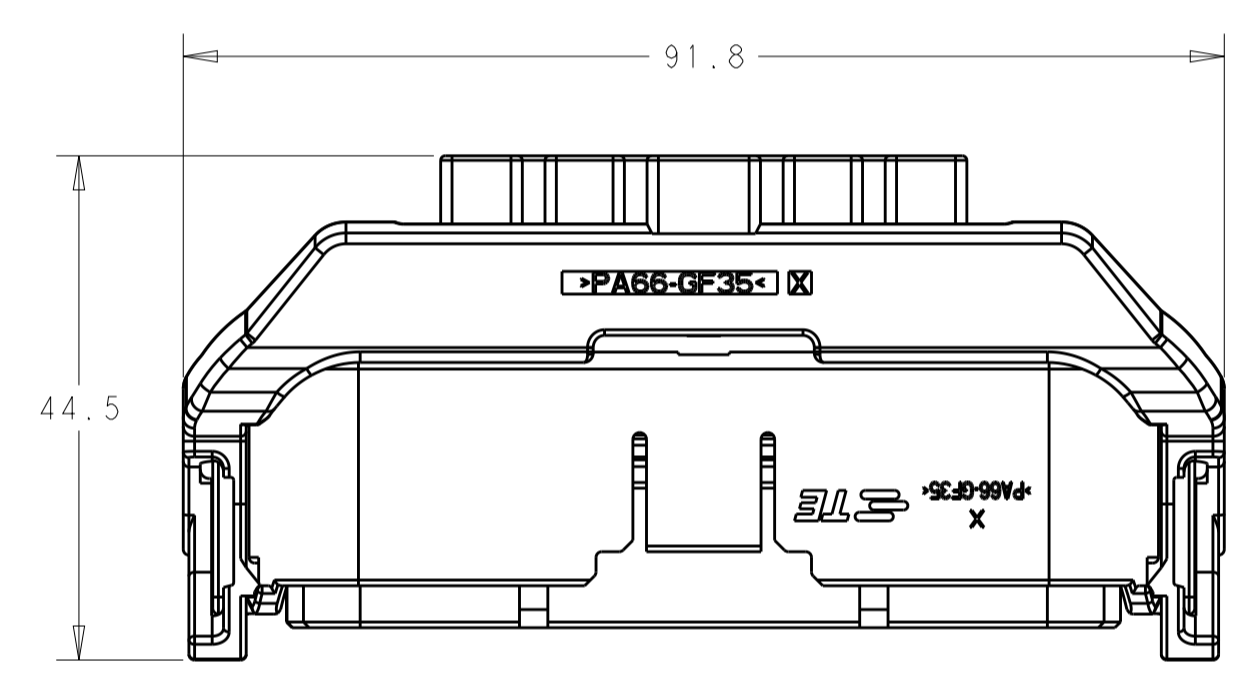


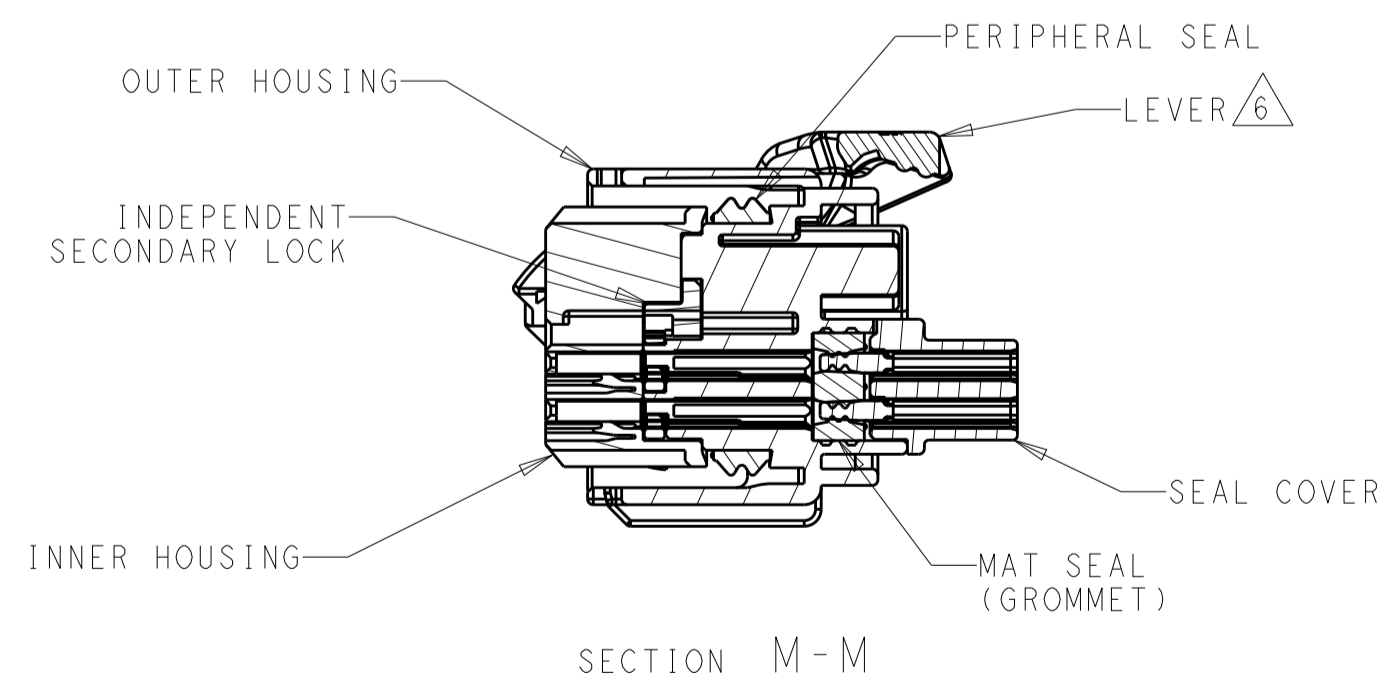
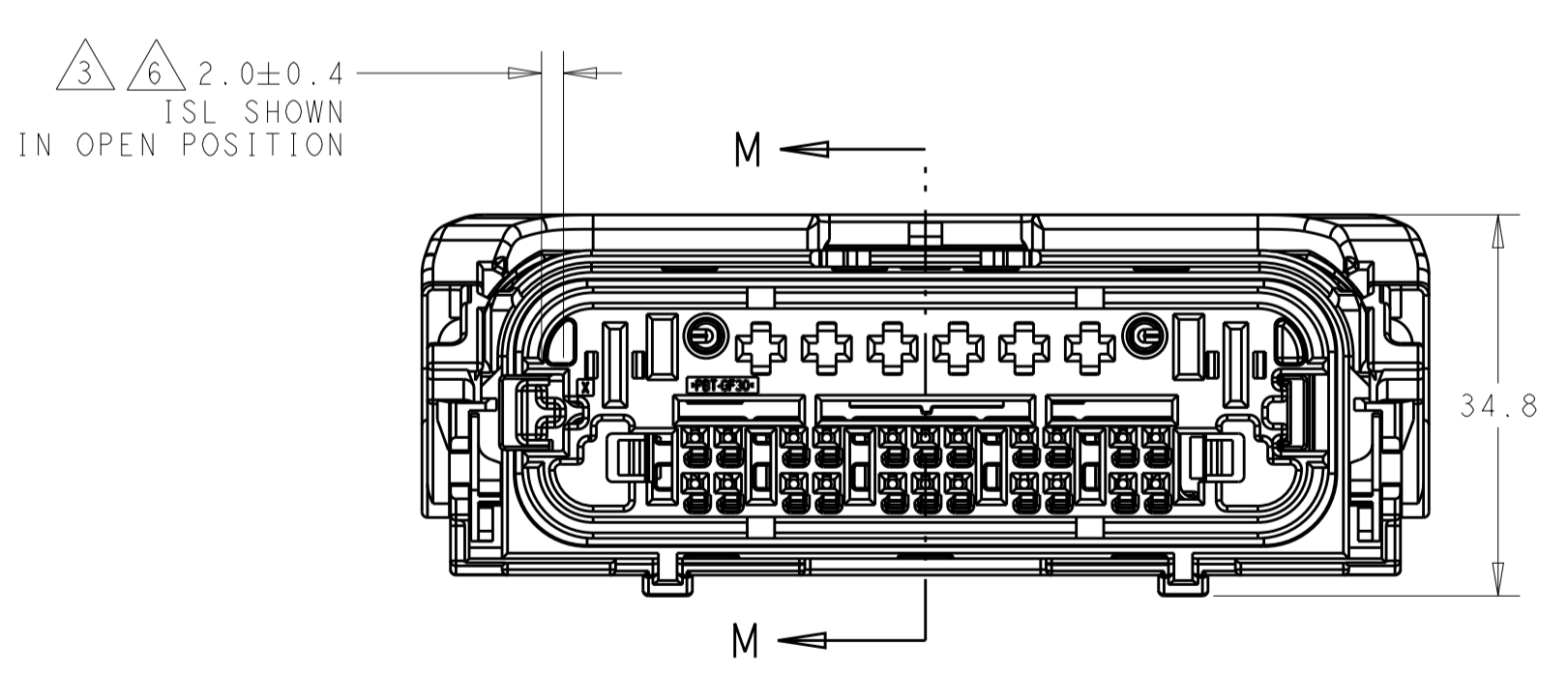
REVISIONS				
P.	LTM	DESCRIPTION	DATE	OWN APVD
C2		REV PER ECR-17-006211	01MAY2017	RDH RDH
C3		REV PER ECR-17-007932	02JUN2017	RDH RDH
C4		REV PER ECR-17-013863	19SEP2017	RDH RDH
C5		REV PER ECR-18-001989	21MAY2018	RDH RDH



- NOTES:
- MATERIAL:
 INNER HOUSING-PBT,30% GLASS FILLED, BLACK
 OUTER HOUSING-NYLON 6/6,35% GLASS FILLED,SEE TABLE FOR COLOR
 PERIPHERAL SEAL-SILICONE RUBBER, INHERENTLY LUBRICATED, GREEN
 MAT SEAL-SILICONE RUBBER, INHERENTLY LUBRICATED, LT BLUE
 SEAL COVER-PBT,15% GLASS FILLED, BLACK
 ISL-PBT,30% GLASS FILLED, LT GRAY
 LEVER-NYLON 6/6,35% GLASS FILLED,LT GRAY
 - 2301462-1 SHOWN IN GENERAL VIEWS.
 - ISL SHOWN IN PRE-SET, SHIPPING POSITION.
 - JULIAN DATE CODE (YYDDD) AND ASSEMBLY PART NUMBER (XXXXXX-X) MARKED IN APPROXIMATE LOCATION.
 - MATES WITH TE PLUG ASSEMBLY: 2301461-X
 - IF SEATED IN SHIPPING, SEE INSTRUCTION SHEET 408-32159 FOR INSTRUCTIONS TO RETURN TO SHIPPING POSITION.



APPLICABLE COMPONENTS				
TERMINALS				
CIRCUITS	TERMINAL	MIN WIRE SIZE	MAX WIRE SIZE	PART #
1 AND 8	MCP 6.3	0.5mm ²	1.0mm ²	1241412-1
		>1.0mm ²	2.5mm ²	1241414-1
		>2.5mm ²	4.0mm ²	1241416-1
2 - 7	MCP 2.8	0.5mm ²	1.0mm ²	1-968855-1
		1.5mm ²	2.5mm ²	1-968857-1
9 - 30	MCON 1.2	0.35mm ²		1534594-1
		0.5mm ²	0.75mm ²	1670144-1
WIRE SEALS				
CIRCUITS	TERMINAL	MIN WIRE O.D.	MAX WIRE O.D.	PART #
1 AND 8	MCP 6.3	1.4	2.0	2177018-1
		2.0	2.7	1394511-1
		2.7	3.0	1823111-1
		3.4	3.7	1394512-1
2 - 7	MCP 2.8	4.0	4.5	1719043-1
		1.4	2.0	828904-1
		2.2	3.0	828905-1
CAVITY PLUGS				
CIRCUITS	TERMINAL	PART #		
1 AND 8	MCP 6.3	967652-1		
2 - 7	MCP 2.8	828922-1		
9 - 30	MCON 1.2	2304518-1		



THIS DRAWING IS A CONTROLLED DOCUMENT. DWN: R. HETRICK 18APR2016 **STE** TE Connectivity

CHK: R. HETRICK 18APR2016 NAME: 30P SEALED HYBRID PLUG ASSEMBLY

APVD: R. HETRICK 18APR2016 PRODUCT SPEC: -

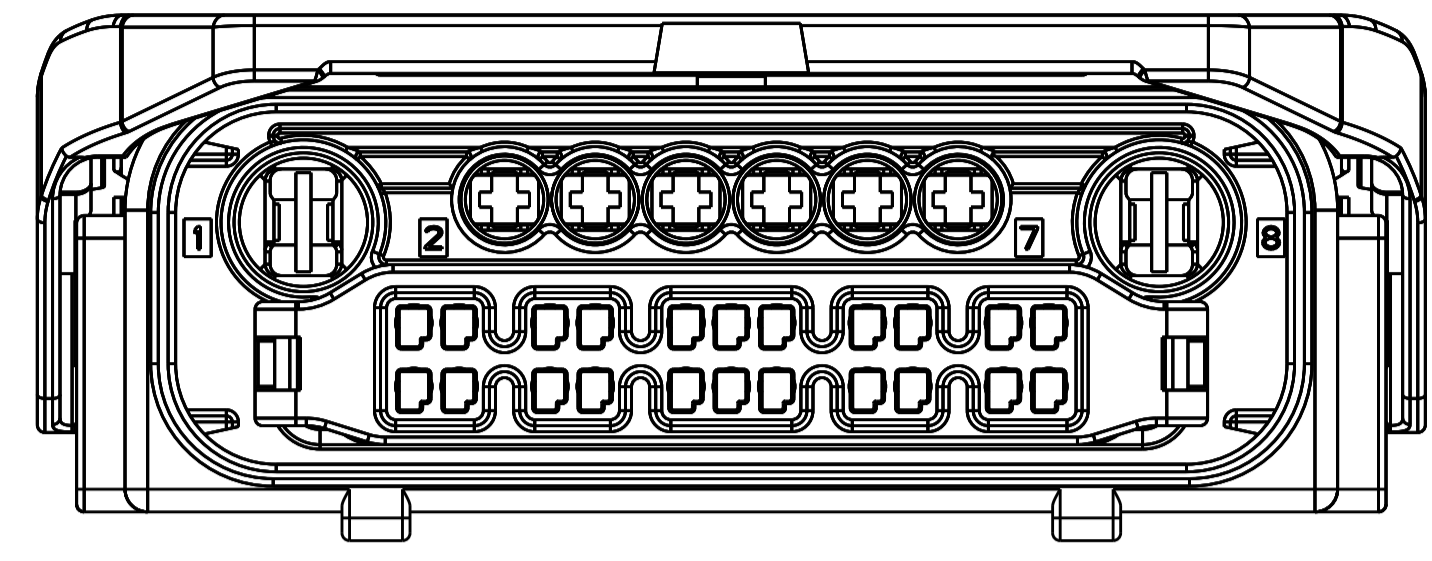
APPLICATION SPEC: -

SIZE: A1 CAGE CODE: - DRAWING NO: C=2301462 RESTRICTED TO: -

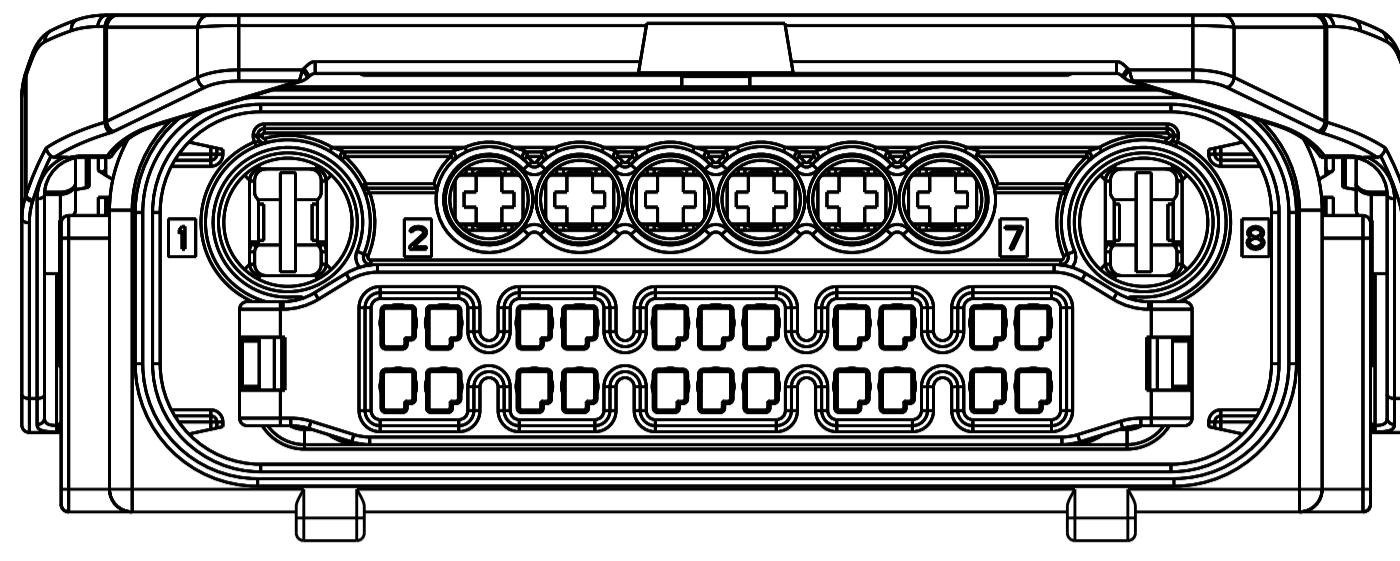
WEIGHT: - SCALE: 3:2 SHEET: 1 OF 3 REV: C5

CUSTOMER DRAWING

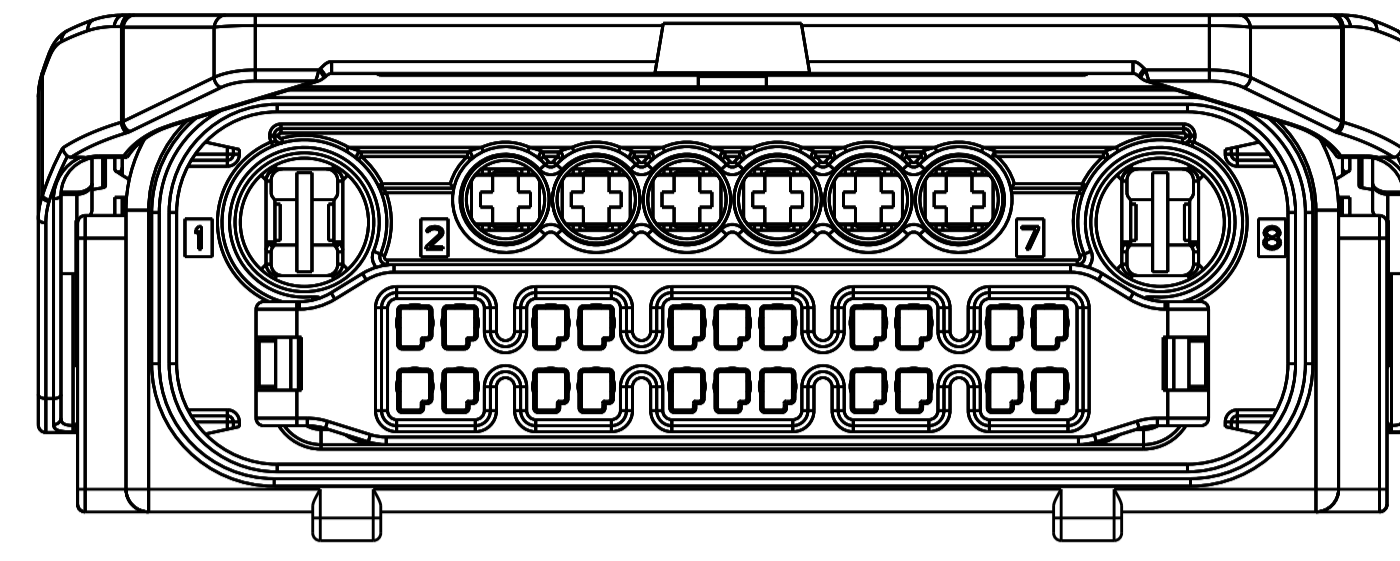
REVISIONS				
P.	LTN	DESCRIPTION	DATE	APP'D
-	-	SEE SHEET 1	-	-
-	-	-	-	-
-	-	-	-	-



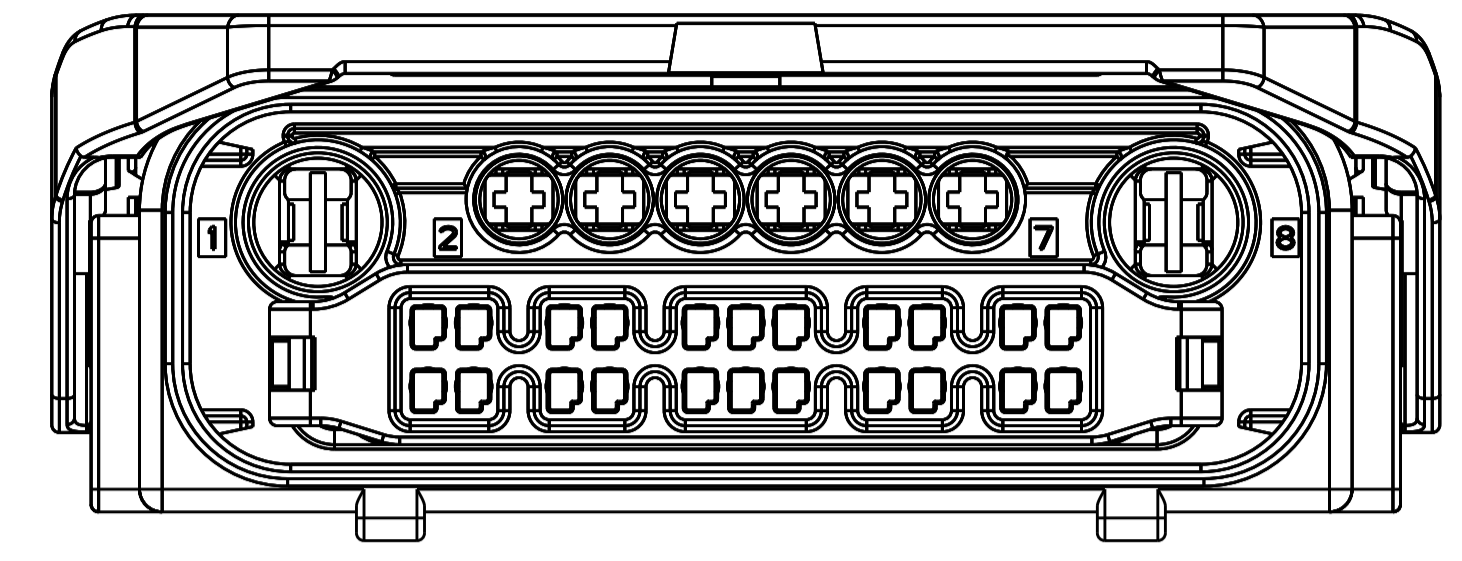
2301462-1
KEY A - BLACK



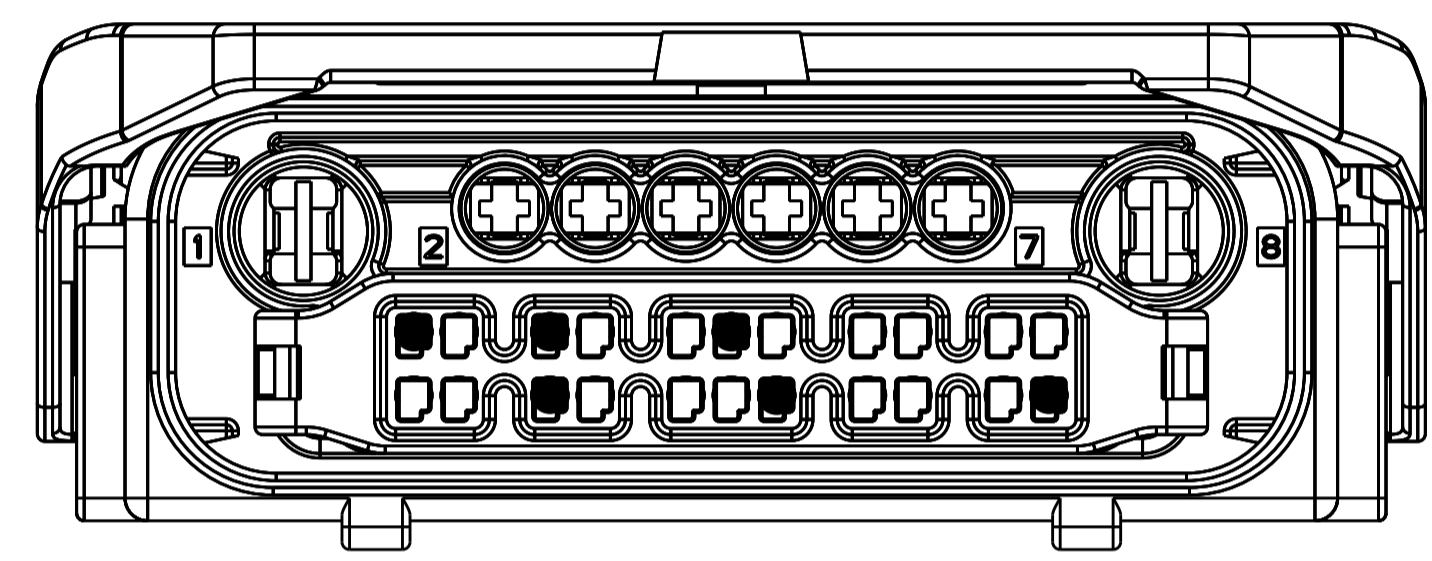
2301462-2
KEY B - LT GRAY



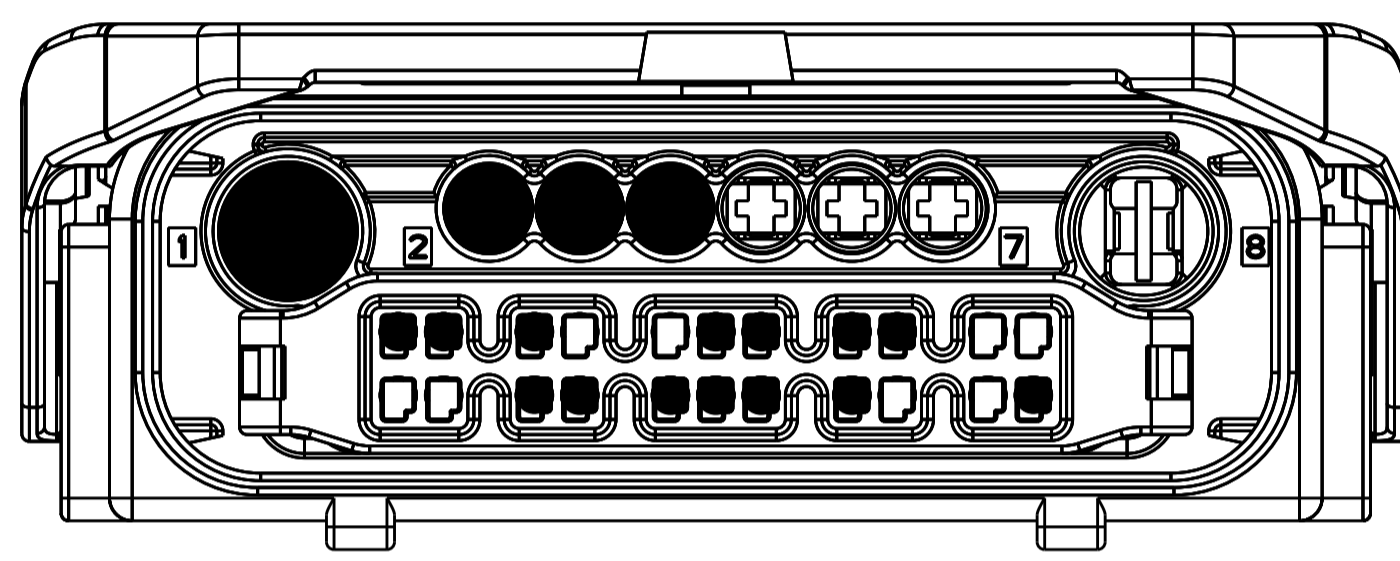
2301462-3
KEY C - DK GRAY



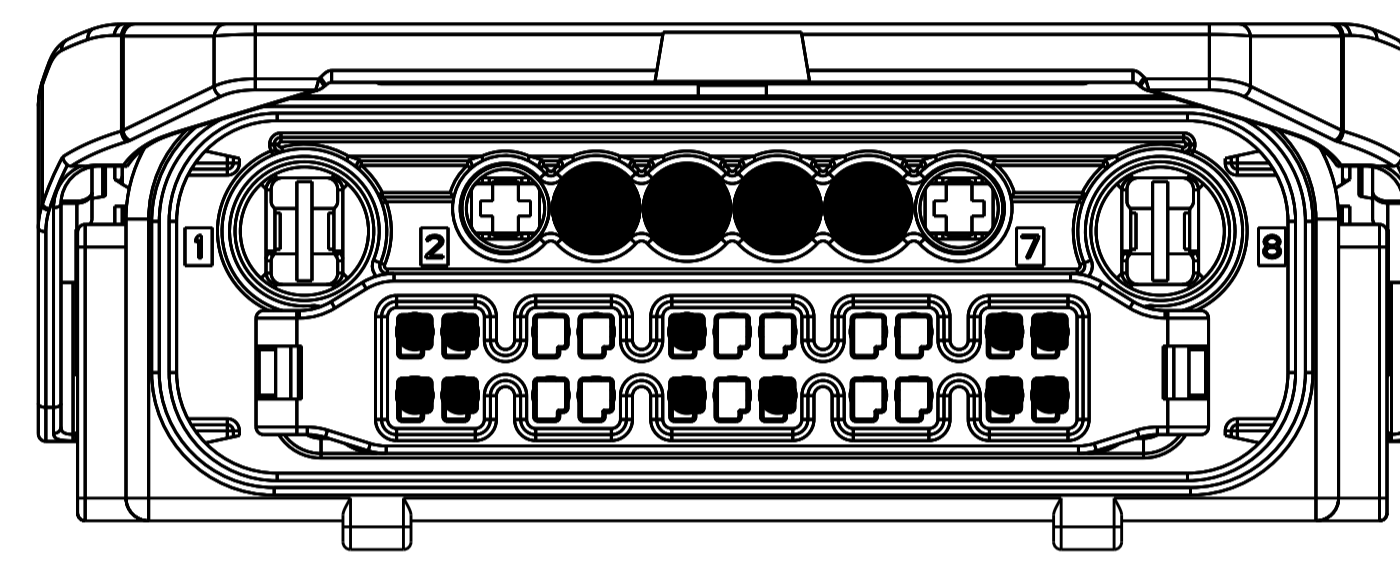
2301462-4
KEY D - BLACK



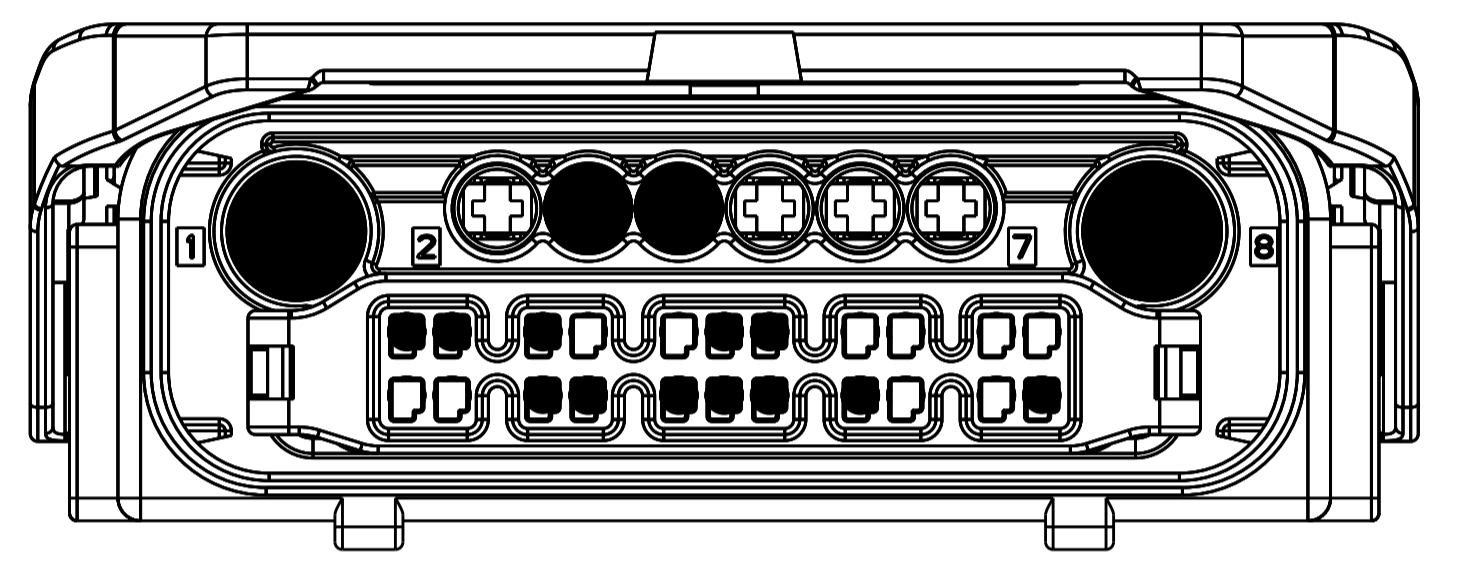
2301462-5
KEY A - BLACK



2301462-6
KEY A - BLACK



2301462-7
KEY A - BLACK



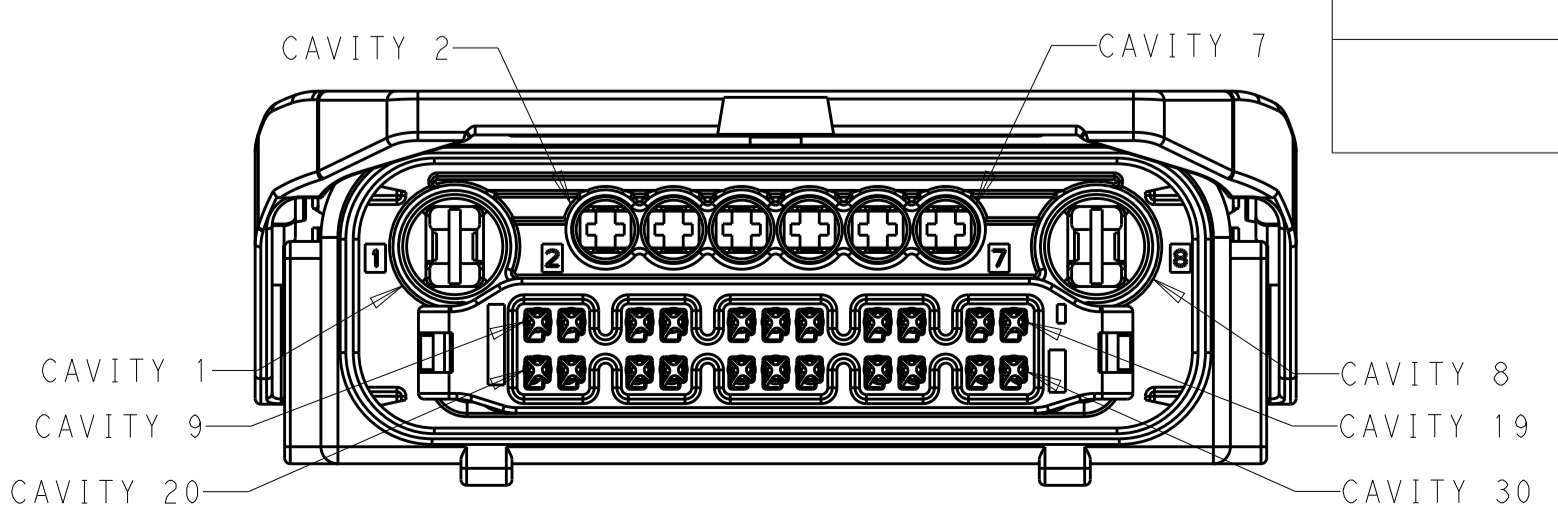
2301462-8
KEY A - BLACK

CIRCUITS WITH SHADED CIRCLES ARE BLOCKED

TOOLING STATUS	TERMINAL HOLE POSITION																														KEY	COLOR	ASSEMBLY PART #	
	30	29	28	27	26	25	24	23	22	21	20	19	18	17	16	15	14	13	12	11	10	9	8	7	6	5	4	3	2	1				
TOOLED	30																															A	BLACK	2301462-8
TOOLED	30	29																														A	BLACK	2301462-7
TOOLED	30																															A	BLACK	2301462-6
TOOLED	30																															A	BLACK	2301462-5
TOOLED																																D	BLACK	2301462-4
TOOLED																																C	DK GRAY	2301462-3
TOOLED																																B	LT GRAY	2301462-2
TOOLED																																A	BLACK	2301462-1

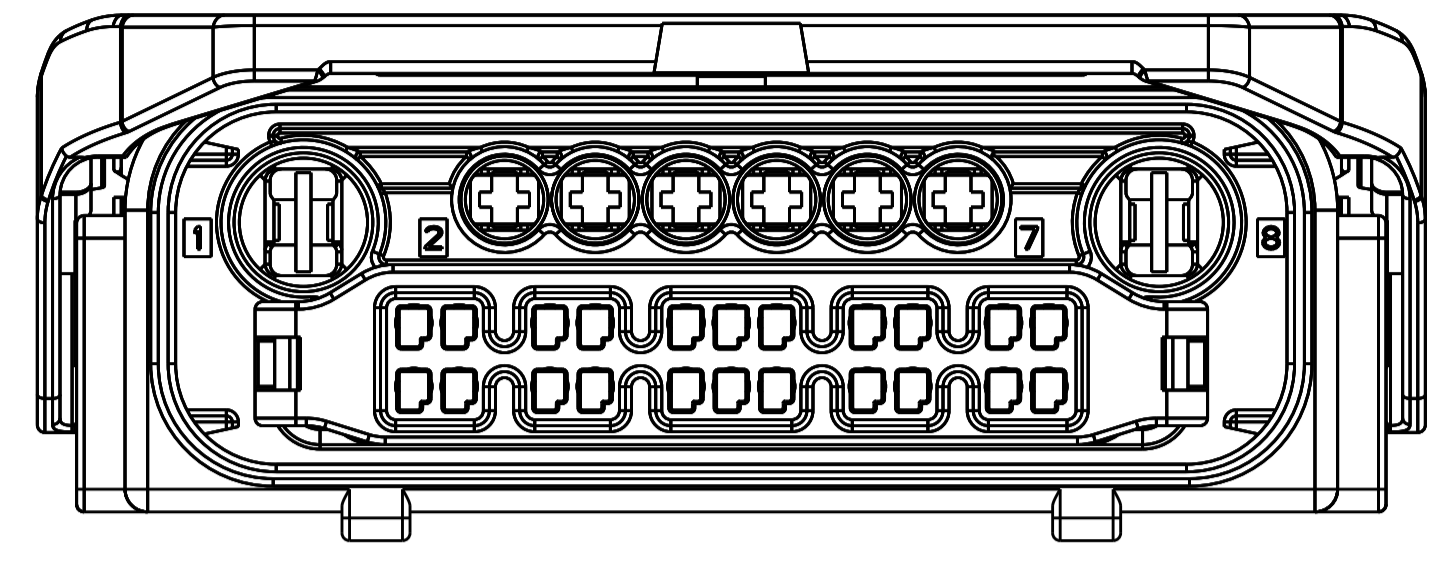
CAVITIES WITH A NUMERIC SYMBOL INDICATES CLOSED TERMINAL LOCATION
 BLANK CAVITIES INDICATES OPEN TERMINAL HOLE LOCATIONS

PIN OUT CHART

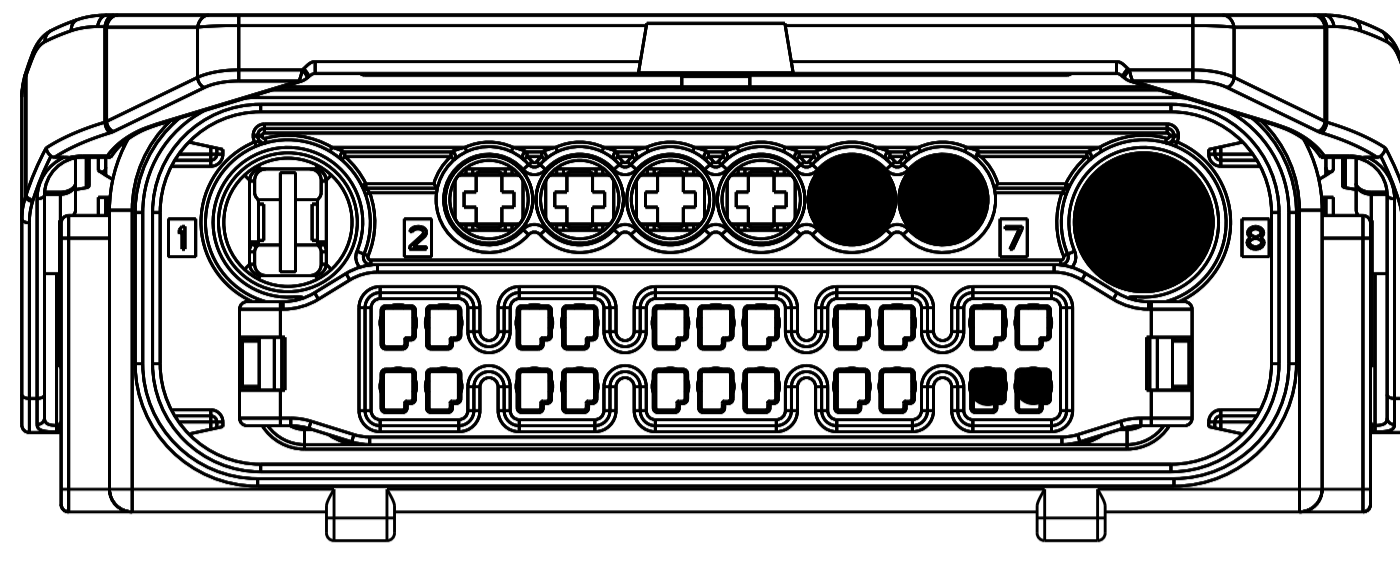


THIS DRAWING IS A CONTROLLED DOCUMENT.		OWN: R. HETRICK 18APR2016	TE Connectivity NAME: 30P SEALED HYBRID PLUG ASSEMBLY SIZE: A1 SCALE: 3:2 SHEET: 2 OF 3 REV: C5
DIMENSIONS: mm		CHK: R. HETRICK 18APR2016	
TOLERANCES UNLESS OTHERWISE SPECIFIED:		APP'D: R. HETRICK 18APR2016	
0 PLC ± 1 PLC ±0.5 2 PLC ±0.3 3 PLC ± 4 PLC ± ANGLES ±°		PRODUCT SPEC	
MATERIAL	FINISH	WEIGHT	CUSTOMER DRAWING

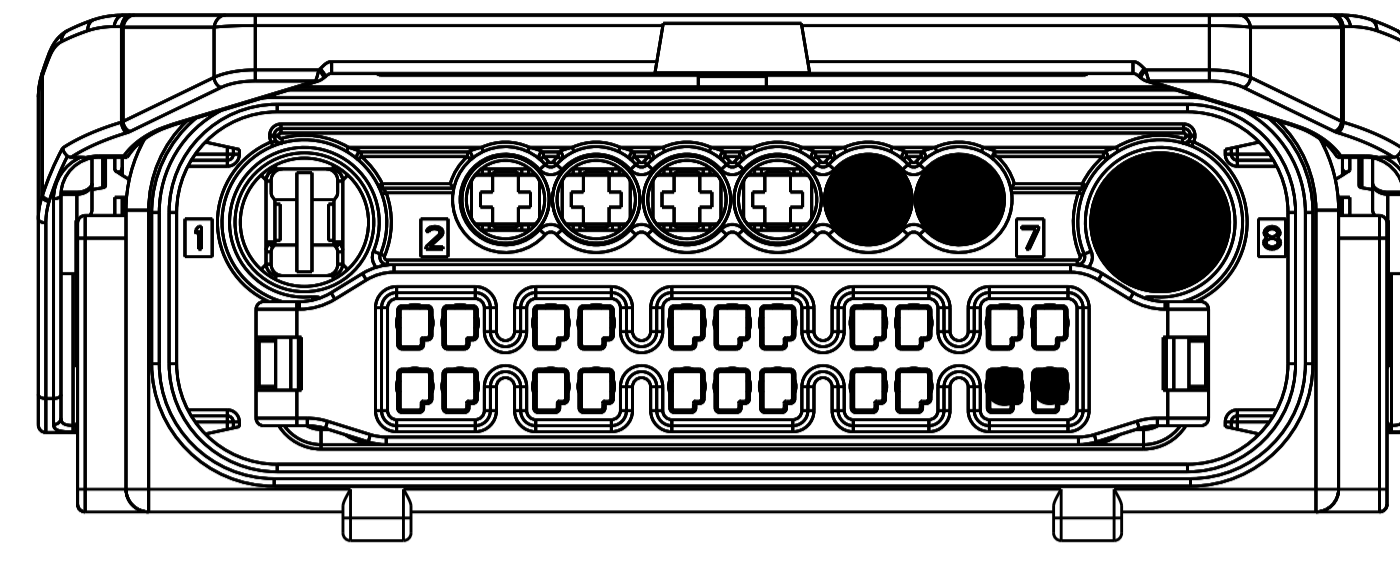
REVISIONS				
P.	LTN	DESCRIPTION	DATE	OWN APVD
-	-	SEE SHEET 1	-	-
-	-	-	-	-
-	-	-	-	-
-	-	-	-	-



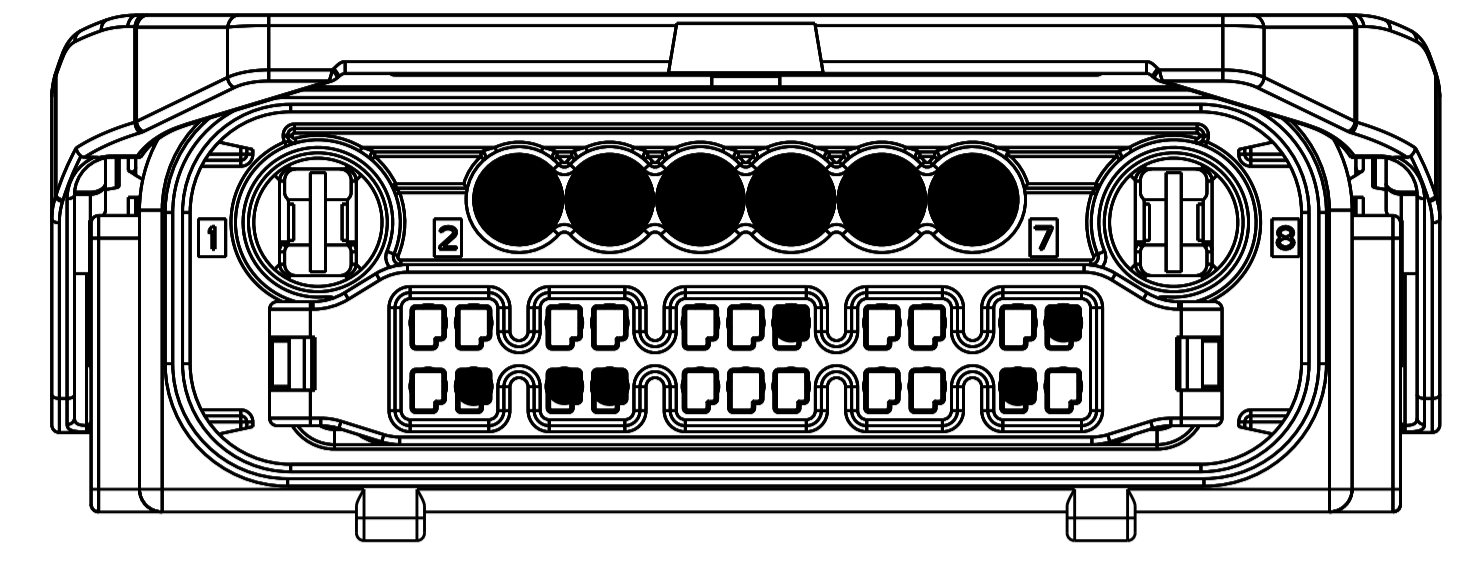
2301462-9
KEY A - YELLOW



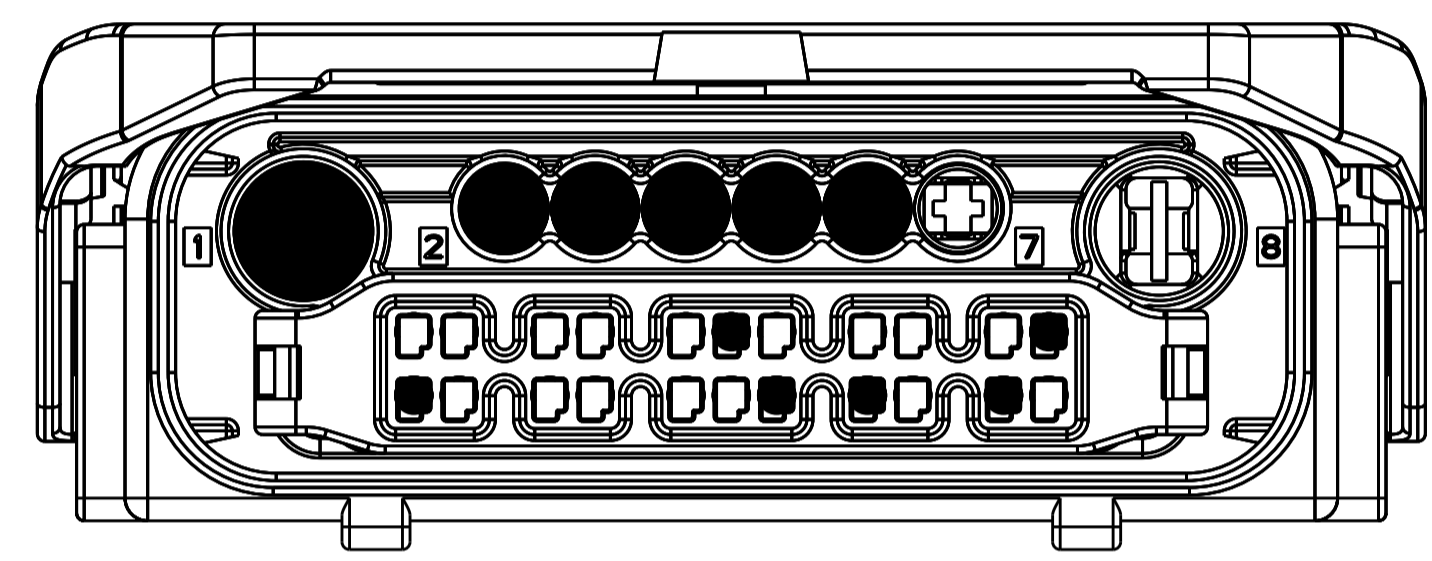
1-2301462-0
KEY A - YELLOW



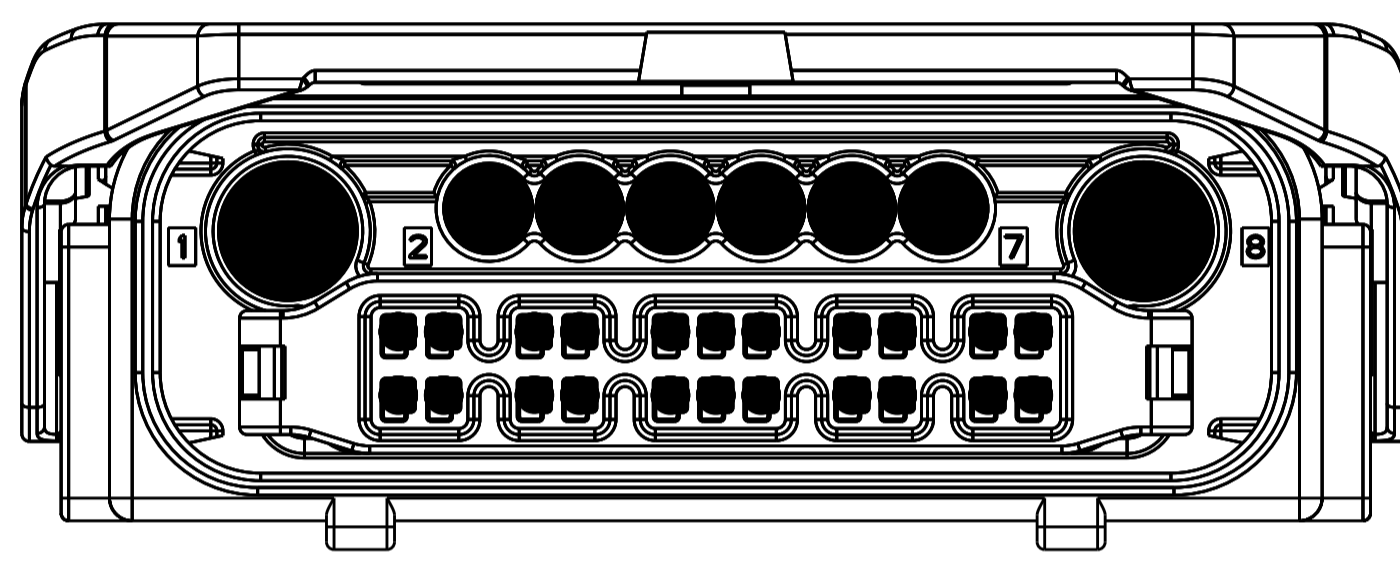
1-2301462-1
KEY A - BLACK



1-2301462-2
KEY A - BLACK



1-2301462-3
KEY A - BLACK



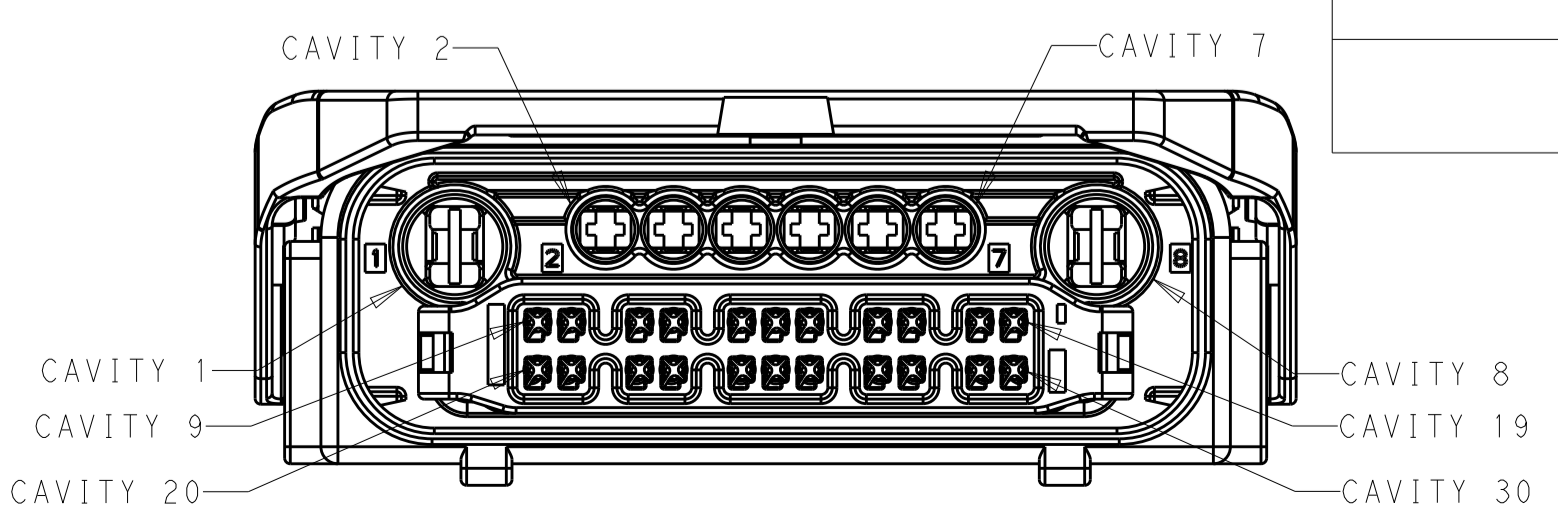
9-2301462-9
KEY A - BLACK

CIRCUITS WITH SHADED CIRCLES ARE BLOCKED

TOOLING STATUS	30	29	28	27	26	25	24	23	22	21	20	19	18	17	16	15	14	13	12	11	10	9	8	7	6	5	4	3	2	1	KEY	COLOR	ASSEMBLY PART #
TOOLED																															A	BLACK	9-2301462-9
TOOLED																															A	BLACK	1-2301462-3
TOOLED																															A	BLACK	1-2301462-2
TOOLED																															A	BLACK	1-2301462-1
TOOLED																															A	YELLOW	1-2301462-0
TOOLED																															A	YELLOW	2301462-9
TOOLING STATUS	30	29	28	27	26	25	24	23	22	21	20	19	18	17	16	15	14	13	12	11	10	9	8	7	6	5	4	3	2	1	KEY	COLOR	ASSEMBLY PART #

TERMINAL HOLE POSITION
 CAVITIES WITH A NUMERIC SYMBOL INDICATES CLOSED TERMINAL LOCATION
 BLANK CAVITIES INDICATES OPEN TERMINAL HOLE LOCATIONS

PIN OUT CHART



THIS DRAWING IS A CONTROLLED DOCUMENT. DWN: R. HETRICK 18APR2016
 CHK: R. HETRICK 18APR2016
 APVD: R. HETRICK 18APR2016

DIMENSIONS: mm
 TOLERANCES UNLESS OTHERWISE SPECIFIED:
 0 PLC ±
 1 PLC ±0.5
 2 PLC ±0.3
 3 PLC ±
 4 PLC ±
 ANGLES ±°

MATERIAL: FINISH:

APPLICABLE SPEC: PRODUCT SPEC, APPLICATION SPEC, CUSTOMER DRAWING

NAME: 30P SEALED HYBRID PLUG ASSEMBLY
 SIZE: A1 CAGE CODE: - DRAWING NO: C=2301462
 SCALE: 3:2 SHEET 3 OF 3 REV: C5

RESTRICTED TO: -