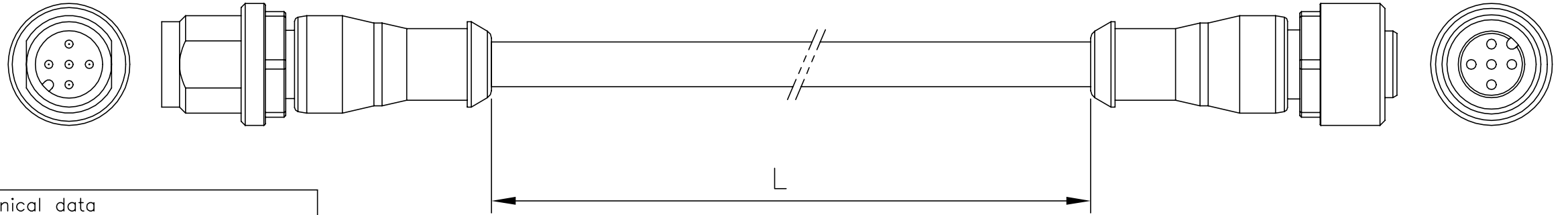


NOTES:
Tolerances cable lengths:
0m to 0.5m +30mm
0.5m to 1.0m +50mm
1.0m to 3.0m +100mm
>3.0m +1.5%

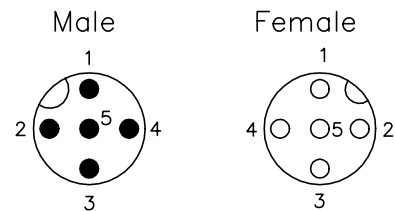
| P | LTR | DESCRIPTION | DATE | DWN | APVD |
|---|-----|---------------------------|-----------|-----|------|
| | C2 | REVISED PER ECR-20-010327 | 13AUG2020 | AP | BP |



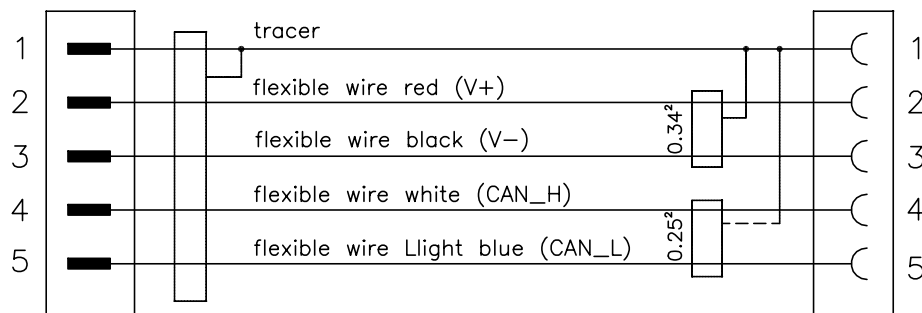
| Mechanical data | |
|-----------------|--|
| Housing: | M12 female straight, black |
| Screw: | M12x1 zinc pressure die casting surface Ni |
| Connection: | pluggable screw locking A/F 13 recommended breakaway torque 0.6Nm |
| Temp. range: | -25°C to +85°C (for connector) |
| Protection: | IP67 |

| Electrical data | |
|-----------------------|--------------------------------------|
| Nominal voltage: | max. 60V AC/DC (UL rating 30V AC/DC) |
| Rated current: | max. 4A per contact |
| Rated impuls voltage: | 1.5kV |
| Pollution degree: | 3 |
| Material group: | Categorie I according to IEC 60664-1 |
| Fieldbus: | CANopen / DeviceNet |

Contact Layout



Schematic diagram



| LENGTH "L" | MATERIAL | JACKET COLOR | TE PN | DESCRIPTION | ITEM |
|------------|----------|--------------|------------------------|-------------------|------|
| 18mtr | | | 1-2289297-7 | 5x22AWG PUR 18m | 17 |
| 75mtr | | | 1-2289297-6 | 5x22AWG PUR 75m | 16 |
| 60mtr | | | 1-2289297-5 | 5x22AWG PUR 60m | 15 |
| 45mtr | | | 1-2289297-4 | 5x22AWG PUR 45m | 14 |
| 35mtr | | | 1-2289297-3 | 5x22AWG PUR 35m | 13 |
| 25mtr | | | 1-2289297-2 | 5x22AWG PUR 25m | 12 |
| 20mtr | | | 1-2289297-1 | 5x22AWG PUR 20m | 11 |
| 15.2mtr | | | 1-2289297-0 | 5x22AWG PUR 15.2m | 10 |
| 13mtr | | | 2289297-9 | 5x22AWG PUR 13m | 9 |
| 12mtr | 5 pos | PUR | 2289297-8 | 5x22AWG PUR 12m | 8 |
| 10.2mtr | | BLACK | 2289297-7 | 5x22AWG PUR 10.2m | 7 |
| 9mtr | | | 2289297-6 | 5x22AWG PUR 9m | 6 |
| 7.7mtr | | | 2289297-5 | 5x22AWG PUR 7.7m | 5 |
| 6.2mtr | | | 2289297-4 | 5x22AWG PUR 6.2m | 4 |
| 4.7mtr | | | 2289297-3 | 5x22AWG PUR 4.7m | 3 |
| 3.2mtr | | | 2289297-2 | 5x22AWG PUR 3.2m | 2 |
| 1.5mtr | | | 2289297-1 | 5x22AWG PUR 1.5m | 1 |

THIS DRAWING IS A CONTROLLED DOCUMENT.

| | | |
|------------------|-----------|---------------------------------------|
| DWN | 22DEC2014 | TE Connectivity Ltd. |
| CHK | 22DEC2014 | |
| APVD | 22DEC2014 | NAME |
| SATHISH KUMAR G | | M12 STRGT PLUG TO M12 STRGT SOCKET AA |
| B.VELDHOVEN | | |
| A.VAN ZANDVOORT | | |
| PRODUCT SPEC | | |
| 108-19483 | | |
| APPLICATION SPEC | | |
| 114-32127 | | SIZE |
| WEIGHT | | CAGE CODE |
| 0 | | DRAWING NO |
| CUSTOMER DRAWING | | RESTRICTED TO |
| | | SCALE |
| | | SHEET |
| | | 1 of 2 |
| | | REV |
| | | C2 |

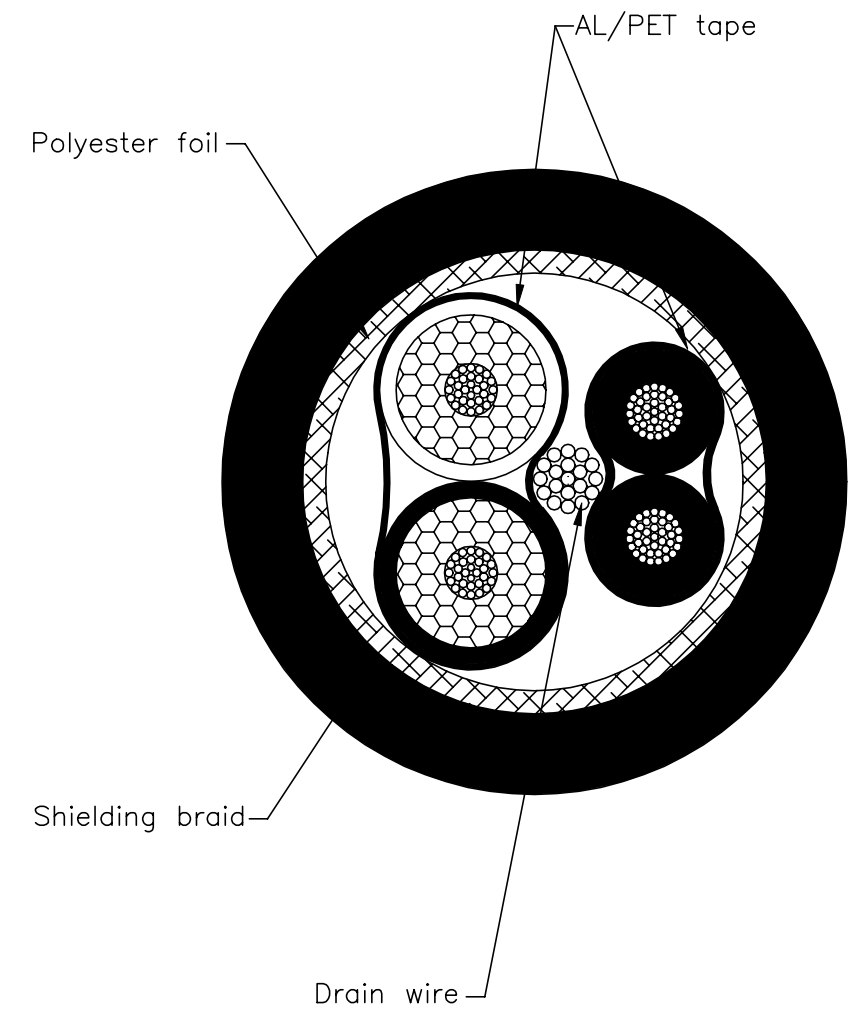
| | |
|-------------|--|
| DIMENSIONS: | TOLERANCES UNLESS OTHERWISE SPECIFIED: |
| mm | |
| | 0 PLC ± - |
| | 1 PLC ± - |
| | 2 PLC ± - |
| | 3 PLC ± - |
| | 4 PLC ± - |
| ANGLES ± - | |
| MATERIAL | FINISH |
| - | - |

| REVISIONS | | | | |
|-----------|-----|-------------|------|------|
| P | LTR | DESCRIPTION | DATE | APVD |
| - | - | SEE SHEET 1 | - | - |

NOTES:
 Tolerances cable lengths:
 0m to 0.5m +30mm
 0.5m to 1.0m +50mm
 1.0m to 3.0m +100mm
 >3.0m +1.5%

CABLE DATA SHEET

| | | |
|--|---|----------|
| Cable diameter | 2x0.25+ 2x0.34mm ² | 6.9mm±5% |
| Conductor colors | DATA PAIR: BLUE, WHITE 0.25mm ² ; POWER PAIR: BLACK, RED 0.34mm ² | |
| Conductor construction | 0.25: tinned copper wire 22/19AWG, paired in AL/PET tape 0.34mm ² : tinned copper wire 24/19AWG, paired in AL/PET tape | |
| Conductor isolation DIN VDE 0207-7 | 0.25mm ² : solid polyethylene outer dia 2.10mm ±5% 0.34mm ² : foam skin polyethylene outer dia 1.55mm ±5% | |
| Banding | Polyester foil, tinned copper wires (coverage min. 65%), drain wire 24/19AWG | |
| Outer jacket | Halogen free PUR, color: Violet | |
| Resistance | Good oil, petrol and chemical resistance, UV resistance compliant UL1581 | |
| Electrical data Nominal voltage Dielectric strength | 300v max operating voltage cond/cond, cond/shield: 1.5kVac/1min | |
| Temperature range | -40°C to +80°C Fixed -30°C to +70°C Flexible | |
| Drag chain data | Translation speed: < 3.0m/s; acceleration: < 3.0m/s (proper installation) Bending radius:6x outer dia (static); 12x outer dia (axial drag chain) | |
| Drag chain data Torsion range | 12x outer diameter, max. 5 million cycles Not recommended for torsion | |
| Permission | UL (AWM style 20233), CSA | |
| Manufacturer & type | CEAM 0502688 | |



| | | | | |
|--|---|--------------------------------------|---|--------------------|
| THIS DRAWING IS A CONTROLLED DOCUMENT. | | DWN SATHISH KUMAR G 22DEC2014 | TE TE Connectivity Ltd. | |
| | | CHK B.VELDHOVEN 22DEC2014 | | |
| DIMENSIONS: mm | TOLERANCES UNLESS OTHERWISE SPECIFIED: | APVD A.VAN ZANDVOORT 22DEC2014 | NAME M12 STRGT PLUG TO M12 STRGT SOCKET AA | |
| | 0 PLC ± - 1 PLC ± - 2 PLC ± - 3 PLC ± - 4 PLC ± - ANGLES ± - | PRODUCT SPEC 108-19483 | RESTRICTED TO | |
| MATERIAL | FINISH | APPLICATION SPEC 114-32127 | SIZE A3 | CAGE CODE 00779 |
| | | WEIGHT | DRAWING NO C=2289297 | REV C2 |
| CUSTOMER DRAWING | | | SCALE NTS | SHEET 2 of 2 |