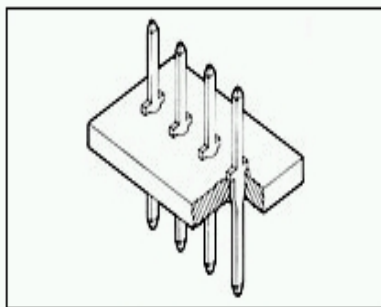


3-86147-7 Product Details

Have a Question?

Chat with a Product Information Specialist



3-86147-7

.156 Inch AMPMODU .031 X .062 Mod I

[Not EU RoHS or ELV Compliant](#) ([Find RoHS Compliant Alternates](#))

Product Highlights:

- Contact
- Contact Type = PCB Post
- Vertical Mount Angle
- Packaging Method = Strip
- Termination Post Length = 3.18 mm

[View all Features](#)

Quick Links

- ▶ [Check Pricing & Availability](#)
- ▶ [Search for Tooling](#)
- ▶ [Product Feature Selector](#)
- ▶ [Contact Us About This Product](#)

TE Internal Number: 3-86147-7

Active

[Add to My Part List](#) [Request Sample](#) [Find Similar Products](#) [Buy Product](#)

Documentation & Additional Information

Product Drawings:

- [CONTACT, MOD I, MALE .031 X .062](#) (PDF, English)

Catalog Pages/Data Sheets:

- None Available

Product Specifications:

- None Available

Application Specifications:

- [AMPMODU Mod I And II Posts](#) (PDF, English)

Instruction Sheets:

- None Available

CAD Files:

- None Available

Additional Information:

- [Product Line Information](#)

Related Products:

- [Tooling](#)

[List all Documents](#)

Product Features (Please use the Product Drawing for all design activity)

Product Type Features:

- Product Type = Contact
- Mount Angle = Vertical
- Recommended Hole Size (mm [in]) = 1.98 [0.078]
- Comment = Minimum nominal centerline spacing between adjacent contacts is .125.; Post center may vary depending on requirements.; Strip form posts applied with Insertion Machine Number 3-457382-1, includes power unit and applicator.

Mechanical Attachment:

- [Mating Post Length \(mm \[in\]\)](#) = 10.16 [0.400]

Electrical Characteristics:

- Contact Current Rating (A) = 5
- Dielectric Withstanding Voltage (V) = 1200
- Contact Resistance (mΩ) = 12
- Insulation Resistance (MΩ) = 5,000

Termination Related Features:

- Termination Post Length (mm [in]) = 3.18 [0.125]
- Termination End Plating = Tin-Lead (100) over Nickel (30)

Contact Related Features:

- Contact Type = PCB Post
- Contact Plating, Mating Area, Material = Tin-Lead
- Contact Base Material = Brass

Industry Standards:

- [RoHS/ELV Compliance](#) = Not ELV/RoHS compliant
- [Lead Free Solder Processes](#) = Wave solder capable to 240°C, Wave solder capable to 260°C, Wave solder capable to 265°C
- Approved Standards = UL E28476, CSA LR16455

Conditions for Usage:

- Temperature Range (°C) = -65 - +60

Packaging Related Features:

- [Packaging Method](#) = Strip

Other:

- Brand = AMP

BOOKMARK

Corporate Information

- [Who We Are](#)
- [Investors](#)
- [News Room](#)
- [Supplier Portal](#)
- [Careers](#)

Quick Links

- [Check Distributor Inventory](#)
- [Cross Reference](#)
- [Find Documents & Drawings](#)
- [Product Compliance Support Center](#)
- [Site Map](#)

Customer Support

- [Email or Chat with Us](#)
- [Find a Phone Number](#)
- [Search Knowledge Base](#)
- [Manage Your Account](#)

Sign up for our eNewsletter

Enter your email address

Follow Us On:



Visit Us On:

