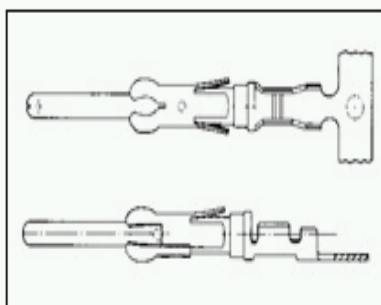


## 213605-1 Product Details

Have a Question?

Chat with a Product Information Specialist



213605-1

TE Internal Number: 213605-1

Active

[View 3D PDF](#)

### Multimate

[Not EU RoHS or ELV Compliant \(Find RoHS Compliant Alternates\)](#)

#### Product Highlights:

- Contact Type = Pin
- Contact Classification = Signal
- Type III+ Series
- Tin Contact Plating, Mating Area, Material
- Wire Range = 0.20-0.60<sup>2</sup> [24-20] mm [AWG]

[View all Features](#)

### Quick Links

- ▶ [Check Pricing & Availability](#)
- ▶ [Search for Tooling](#)
- ▶ [Product Feature Selector](#)
- ▶ [Contact Us About This Product](#)

[Add to My Part List](#) [Request Sample](#) [Find Similar Products](#) [Buy Product](#)

### Documentation & Additional Information

#### Product Drawings:

- [PIN ASSEMBLY, 5015 SERIES, 20-24 AWG, SPECIAL TYPE III+](#) (PDF, English)

#### Catalog Pages/Data Sheets:

- None Available

#### Product Specifications:

- None Available

#### Application Specifications:

- None Available

#### Instruction Sheets:

- None Available

#### CAD Files: ([CAD Format & Compression Information](#))

- [2D Drawing](#) (DXF, Version F1)
- [3D Model](#) (IGES, Version F1)
- [3D Model](#) (STEP, Version F1)

#### Additional Information:

- [Product Line Information](#)

#### Related Products:

- [Tooling](#)

[List all Documents](#)

### Product Features (Please use the Product Drawing for all design activity)

#### Product Type Features:

- [Insulation Support](#) = Yes
- [Termination Method to Wire/Cable](#) = Crimp
- Wire/Cable Type = Discrete Wire
- Grade = Commercial

#### Electrical Characteristics:

- High Current = No

#### Termination Related Features:

- [Termination End Plating](#) = Tin

#### Body Related Features:

- Series = Type III+
- [Wire Range \(mm \[AWG\]\)](#) = 0.20-0.60<sup>2</sup> [24-20]
- Spring Material = Stainless Steel
- Used With = Mil-C-5015 Circular Connectors

#### Contact Related Features:

- Contact Type = Pin
- Contact Classification = Signal
- [Contact Plating, Mating Area, Material](#) = Tin
- [Contact Base Material](#) = Brass
- [Contact Size](#) = 16

#### Industry Standards:

- [RoHS/ELV Compliance](#) = Not ELV/RoHS compliant
- [Lead Free Solder Processes](#) = Not relevant for lead free process

#### Conditions for Usage:

- [Accepts Wire Insulation Diameter, Range \(mm \[in\]\)](#) = 1.52 - 3.05 [0.060 - 0.120]
- [Applies To](#) = Wire
- Test Current (A) = 13.0

#### Packaging Related Features:

- [Packaging Method](#) = Strip

#### Other:

- Brand = AMP

BOOKMARK

### Corporate Information

[Who We Are](#)

[Investors](#)

[News Room](#)

[Supplier Portal](#)

[Careers](#)

### Quick Links

[Check Distributor Inventory](#)

[Cross Reference](#)

[Find Documents & Drawings](#)

[Product Compliance Support Center](#)

[Site Map](#)

### Customer Support

[Email or Chat with Us](#)

[Find a Phone Number](#)

[Search Knowledge Base](#)

[Manage Your Account](#)

### Sign up for our eNewsletter

Enter your email address

### Follow Us On:



Visit Us On:

