

DRAWING MADE IN THIRD ANGLE PROJECTION

3

2

1

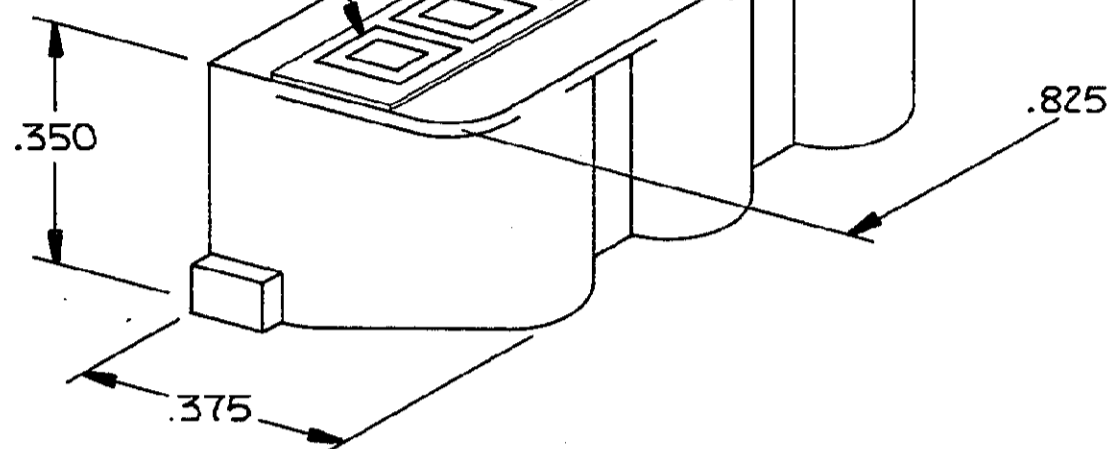
LOC DIST
AA 69/2

THIS DRAWING IS UNPUBLISHED. RELEASED FOR PUBLICATION
© COPYRIGHT BY

REVISIONS				
P	F	ZONE/LTR	DESCRIPTION	DATE APPROVED
D		D3	REVISED PER ECO-11-005033	2APR11 RK HMR

WHITE WITH GREEN CENTER
 WHITE WITH ORANGE CENTER
 BLUE WITH WHITE CENTER
 WHITE WITH BLUE CENTER
 ORANGE WITH WHITE CENTER
 GREEN WITH WHITE CENTER

STUFFER CAP LABEL
 HAVING CLEAR BACKGROUND



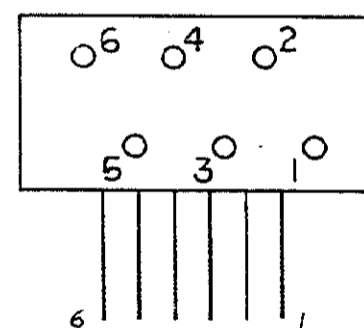
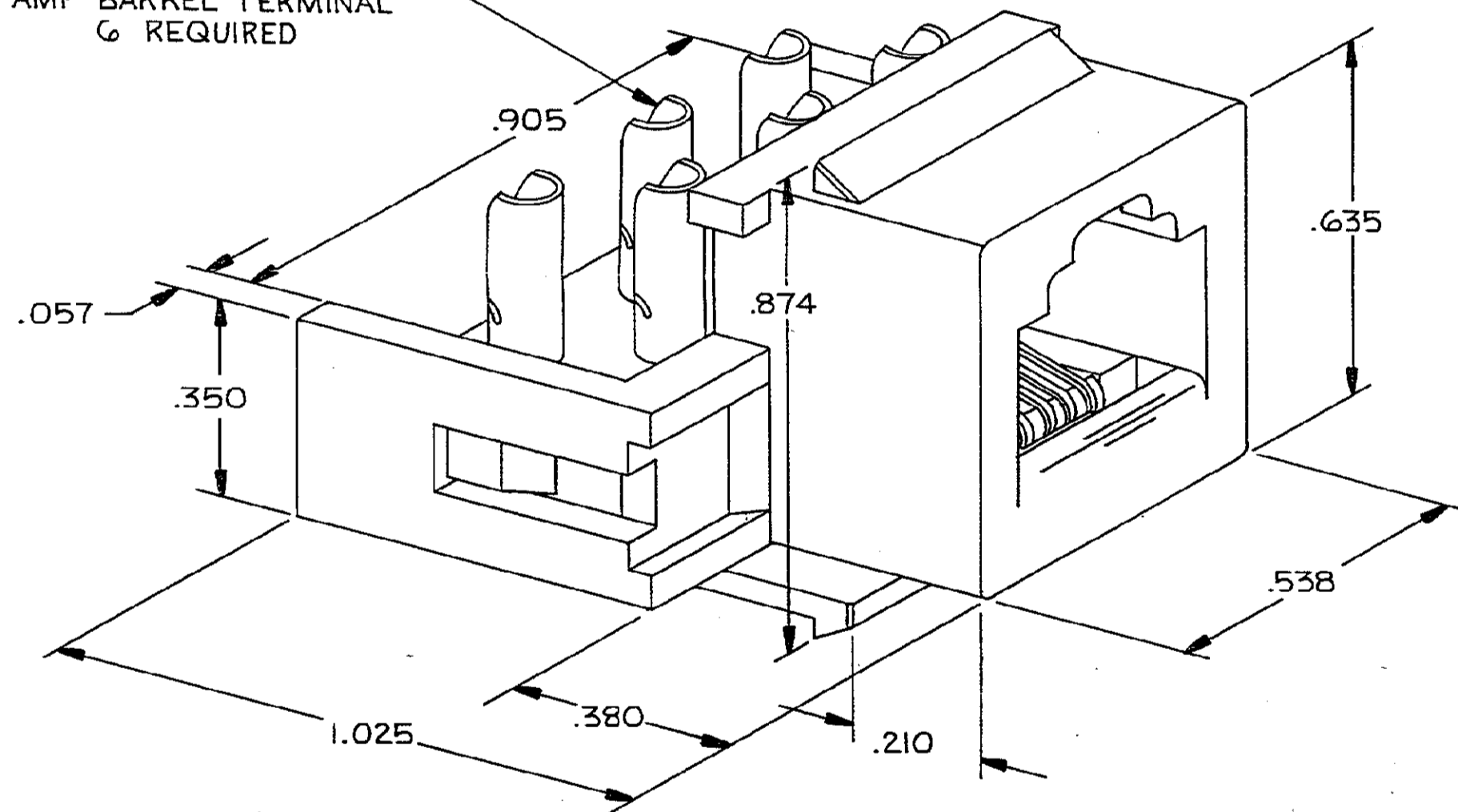
⚠️ BARREL TERMINALS WILL ACCEPT ONE OR TWO WIRES OF THE SAME SIZE PER TERMINAL. MAX WIRE SIZE IS 22 AWG WITH .060 DIAMETER INSULATION. MIN WIRE SIZE IS 26 AWG WITH .037 DIAMETER INSULATION.

2. STUFFER CAP SHIPPED NOT ASSEMBLED.

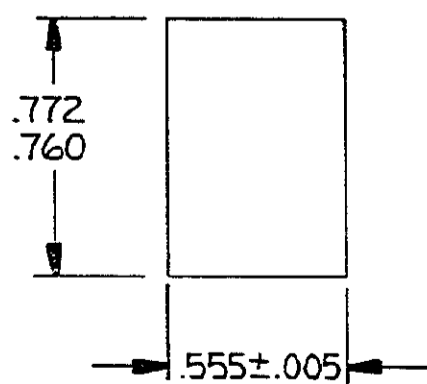
⚠️ MATERIALS: STUFFER CAP-POLYCARBONATE (NATURAL)
 BARREL TERMINAL-TIN COATED PHOSPHOR BRONZE
 LABEL ADHESIVE BACKED PESTER
 CONTACTS-NICKEL PLATED HIGH STRENGTH COPPER ALLOY HAVING SELECTIVE GOLD PLATING IN CONTACT AREA AND SELECTIVE TIN PLATING IN BARREL TERMINAL AREA.
 HOUSING & KEYSTONE-THERMOPLASTIC (BLACK) 94V-0 RATED

4. MOUNTING PANEL THICKNESS - .062 NOMINAL

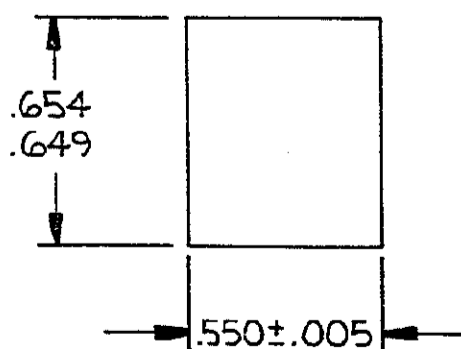
⚠️ .125 DIAMETER AMP BARREL TERMINAL & REQUIRED



WIRING DIAGRAM



BACK PANEL
SCALE 2:1



FRONT PANEL
SCALE 2:1

553983-1 AS SHOWN

UNLESS OTHERWISE SPECIFIED DIMENSIONS ARE IN INCHES. TOLERANCES ON: DECIMALS ± .010 ANGLES ±		CONTRACT NO DR S. Pozabanchuk 3-29-84 CHK Stephen Doss 6-5-84 APPD Gene Reed 6-5-84		PART NO	
MATERIAL ⚠️		FINISH ⚠️		TE Connectivity	
		OTHER APPD		NAME KEYSTONE JACK KIT, 6 POSITION, MARKED	
		DSGN APPD		SIZE C FSCM NO 00779 DRAWING NO 553983 REV D3	
		SCALE 4:1		SHEET 1 OF 1	

CUSTOMER DRAWING

553983

SUPERSEDED
NOT THE LATEST REVISION