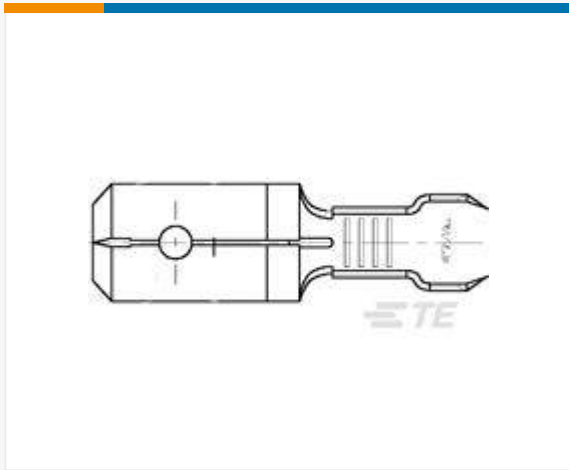




Terminals & Splices > Quick Disconnects



✓ ACTIVE

# .250 SERIES FASTON TAB

FASTON | FASTON 250

TE Part # 60006-1

TE Internal #: 60006-1

Terminal & Splice Style : Tab

Terminal Type : Tab

+ More

☰ Add to List ▾ | Similar Products

	<b>ORDER SAMPLES</b>
--	----------------------

Compatible Parts & Tooling

Need help? ×

**CHAT NOW** >

## DOCUMENTS

### PRODUCT DRAWINGS

.250 SERIES FASTON TAB

Feedback

 [.250 SERIES FASTON TAB \(TIFF AVAILABLE\)](#) English

**CAD FILES**

3D PDF

 [ENG\\_CVM\\_60006-1\\_A.pdf](#) English

Customer View Model

 [ENG\\_CVM\\_60006-1\\_A.3d\\_igs.zip](#) English

 [ENG\\_CVM\\_60006-1\\_A.3d\\_stp.zip](#) English

 [ENG\\_CVM\\_60006-1\\_A.2d\\_dxf.zip](#) English

**AGENCY APPROVALS**

Blank Local Type

 [ENG\\_AAD\\_UL\\_E66717\\_19851213\\_A.pdf](#) English

 [ENG\\_AAD\\_UL\\_E66717\\_19830621\\_A.pdf](#) English

**FEATURES**





**PRODUCT COMPLIANCE**



Feedback

# Compatible Parts





REPRESENTATION ONLY 

**TE Part # 575046-1**  
**D.A.H.T. TYPE "F"**

In-Stock

[View Product](#)



REPRESENTATION ONLY 

**TE Part # 90165-1**  
**DAHT F CRIMP 18-14**

In-Stock

[View Product](#)

## Also in the Series | **FASTON 250**



**Crimp Terminal Housings (104)**



**Insulation Boots & Sleeves (16)**



**Magnet Wire Terminals (1)**

Feedback

## Customers Also Bought



TE Part # 1454509-1  
TNB HAND  
TOOL:3800088-01



TE Part # HSA527RJ  
HSA5 27R 5%



TE Part # 180319  
D.A.H.T. ASSY 'F'  
TYPE (PREM)

Feedback