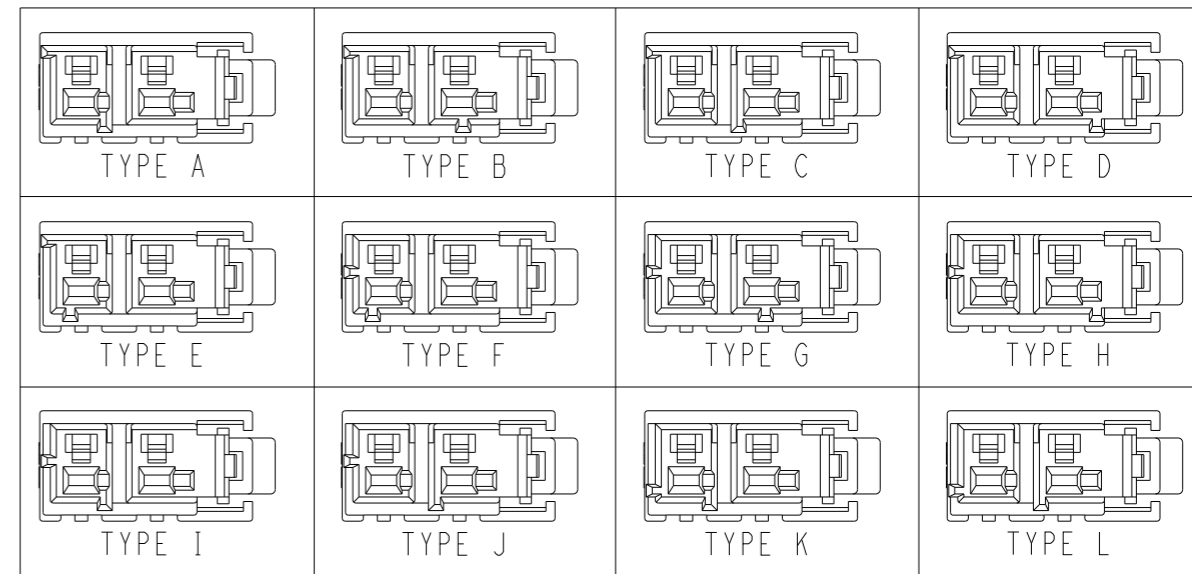
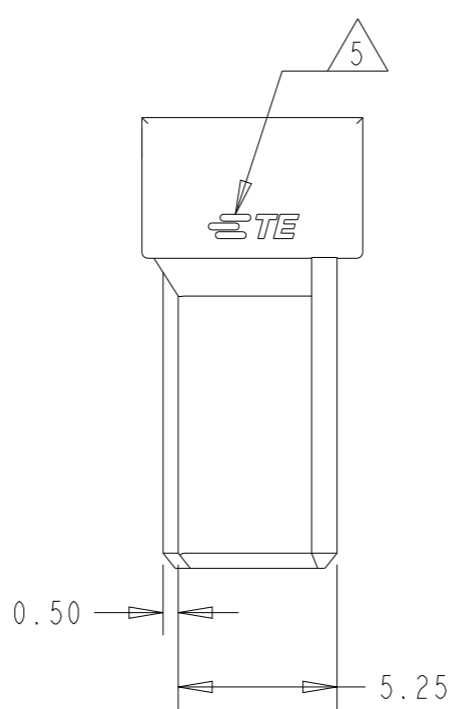
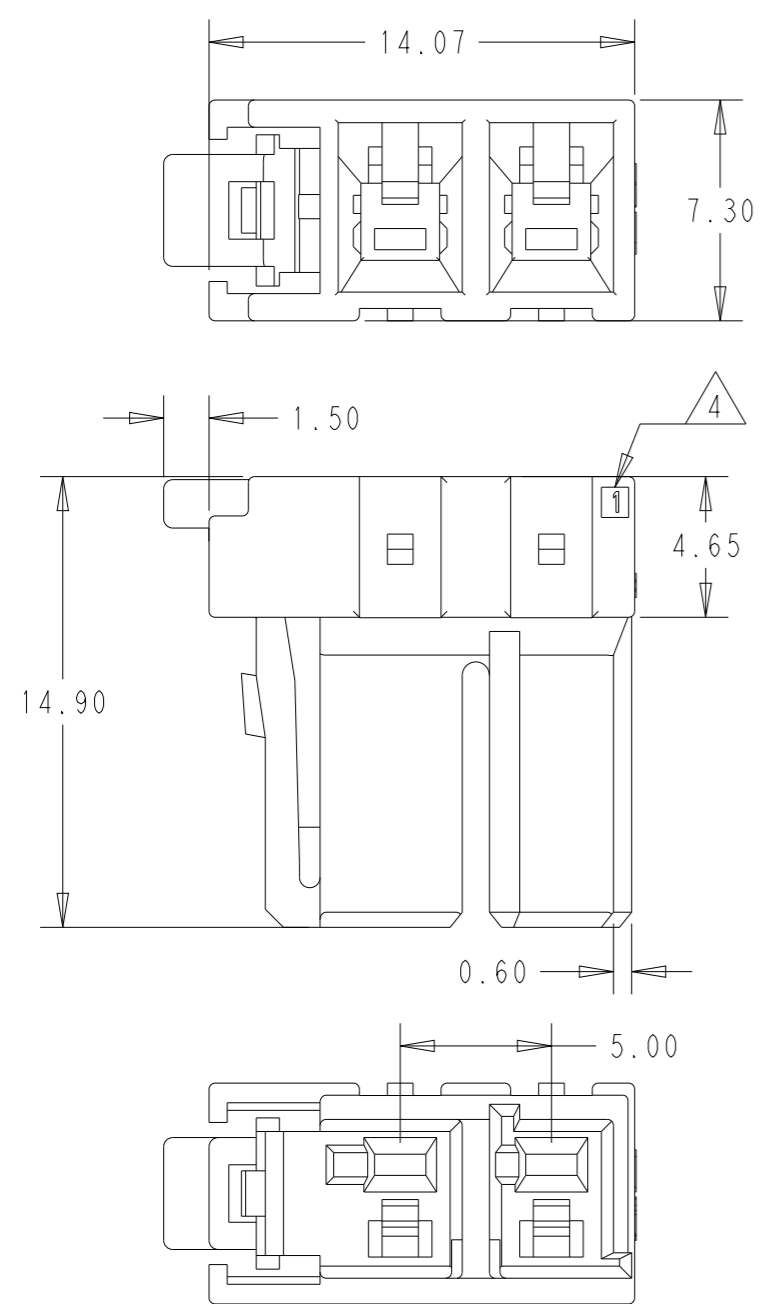


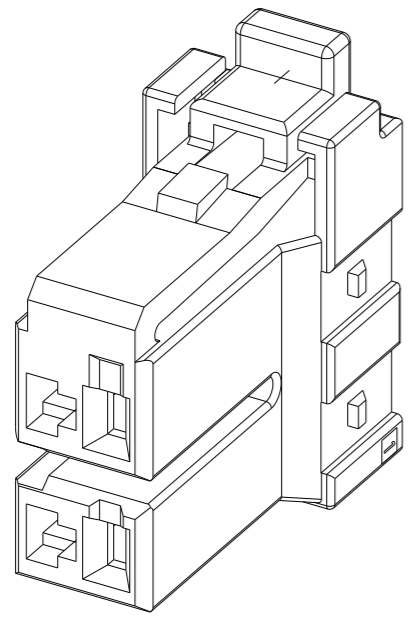
P	LTR	DESCRIPTION	DATE	DWN	APVD
	A	RELEASED	20NOV2023	KS	DZ



KEYING TYPE (SCALE 2:1)

- 1 MATERIAL: PA66 GF, UL-94 V0. GWEPT 750°C WITHOUT FLAME PER IEC 60335-1.
- 2. MATING PARTS: SEE TABLE.
- 3. APPLICABLE TERMINAL: 1376347-X AND 1376348-X.
- 4 CIRCUIT NUMBER.
- 5 TRADE MARK.

1-2371337-2	L	PINK	1-2371224-2
1-2371337-1	K	GREEN	1-2371224-1
1-2371337-0	J	RED	1-2371224-0
2371337-9	I	GRAY	2371224-9
2371337-8	H	BROWN	2371224-8
2371337-7	G	BLACK	2371224-7
2371337-6	F	PALE GREEN	2371224-6
2371337-5	E	PURPLE	2371224-5
2371337-4	D	YELLOW	2371224-4
2371337-3	C	BLUE	2371224-3
2371337-2	B	VIOLET	2371224-2
2371337-1	A	NATURAL	2371224-1
MATING P/N	KEYING	COLOR	PART NUMBER



THIS DRAWING IS A CONTROLLED DOCUMENT.		DWN	KEN SAKAI 27JUL2022	
DIMENSIONS: mm		CHK	KEN SAKAI 27JUL2022	
TOLERANCES UNLESS OTHERWISE SPECIFIED: ±0.3		APVD	DANIEL ZHANG 27JUL2022	
<ul style="list-style-type: none"> <li>0 PLC ±</li> <li>1 PLC ±</li> <li>2 PLC ±</li> <li>3 PLC ±</li> <li>4 PLC ±</li> <li>ANGLES ±3°</li> <li>FINISH -</li> </ul>		PRODUCT SPEC	108-106528	
MATERIAL 1		APPLICATION SPEC	114-5292	
		WEIGHT	0.9g	
		CUSTOMER DRAWING		
		TE Connectivity		NAME PLUG HOUSING, 2P 5.0 POWER KEY CONNECTOR
		SIZE	CAGE CODE	DRAWING NO
		A3	00779	C-2371224
		RESTRICTED TO		-
		SCALE	SHEET	OF
		4:1	1	1
		REV		A